



Excellent Integrated System Limited

Stocking Distributor

Click to view price, real time Inventory, Delivery & Lifecycle Information:

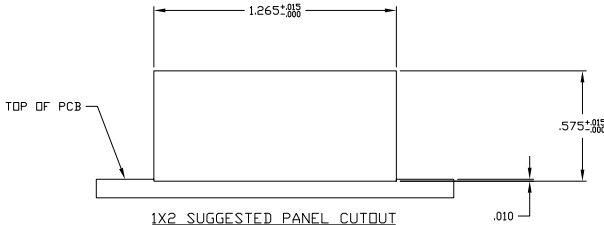
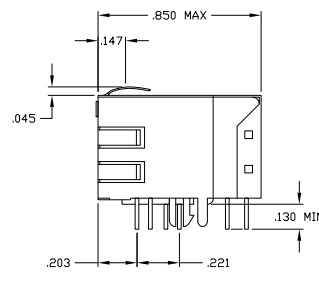
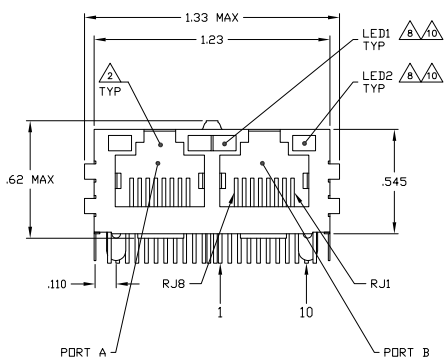
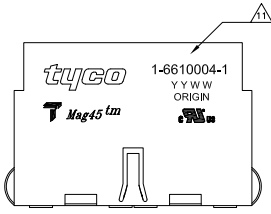
[TE Connectivity AMP Connectors](#)
[1-6610004-1](#)

For any questions, you can email us directly:

sales@integrated-circuit.com

REV	DATE	DESCRIPTION	BY	CHK	APP
AA	22				
A		REV PER EC 0513-0450-04			

MECHANICAL:

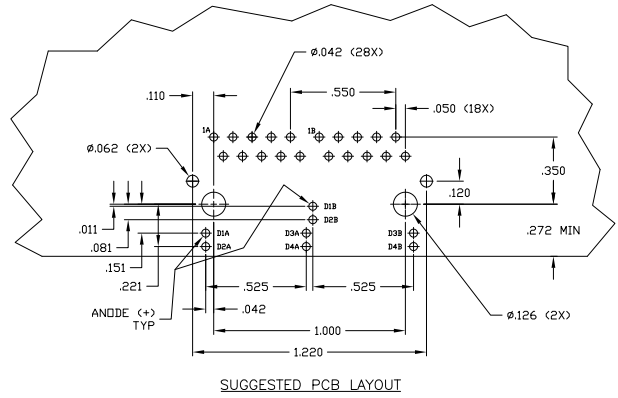
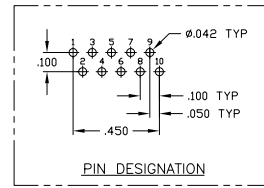
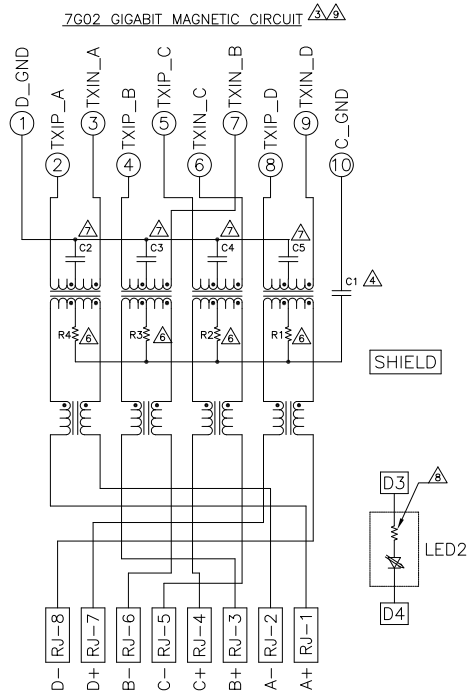


- 1. MATERIALS:
 - HOUSING - THERMOPLASTIC PET POLYESTER FLAMMABILITY RATING UL 94V-0.
 - SHIELD - .010" THICK, C26800 BRASS PREPLATED WITH 30μINCH MIN SEMI-BRIGHT NICKEL.
 - SOLDER TABS POST DIPPED WITH 100μINCH MIN SAC SOLDER.
 - MOD JACK CONTACTS - 0.051 X 0.087 PHOSPHOR BRONZE, 50μINCH MIN OVERALL NICKEL UNDERPLATE WITH SELECT 50μINCH MIN HARD GOLD FINISH PLATE. SOLDER TAILS WITH 100μINCH MIN MATTE TIN AND/OR SAC SOLDER DIP.
 - LIGHT EMISSION (OPTIONAL) - DIFFUSED EPOXY LENS, .020" X .020" CARBON STEEL WIREFRAME LEADS PRE-PLATED WITH 80μINCH SILVER OVER 4.0μINCH NICKEL UNDERPLATE OVER 4.0μINCH COPPER UNDERPLATE. POST-PLATED WITH 100μINCH MIN MATTE TIN AND/OR SAC SOLDER DIP OR PURE TIN SOLDER DIP.
- 2. RJ45 JACK CAVITY CONFORMS TO FCC RULES AND REGULATIONS PART 68, SUB PART F.
- 3. MAGNETICS
 - APPLICATION: 10/100/1000 BASE-T
 - IMPEDANCE: 100 OHMS
 - TURNS RATIO (CHP-CABLE): 5:1 ALL FOUR PAIRS
 - OPEN CIRCUIT INDUCTANCE (OCL): 350μH MIN @100kHz, 0.1VRMS, BIAS DC FROM 0°C TO 70°C, ALL FOUR PAIRS
 - ALL FOUR PAIRS BI-DIRECTIONAL
 - PERFORMANCE @ 25°C:
 - INSERTION LOSS (IL): 1.1dB MAX FROM 0.5MHz TO 100MHz
 - RETURN LOSS (RL): 18dB MIN FROM 0.5MHz TO 4.0MHz
 - 12-20LOGIF/80dB MIN FROM 4.0MHz TO 100MHz
 - CROSSTALK ATTENUATION: 35dB MIN FROM 0.5MHz TO 4.0MHz
 - 33-20LOGIF/50dB MIN FROM 4.0MHz TO 100MHz
 - COMMON MODE REJECTION RATIO (CMRR): 30dB MIN FROM 0.5MHz TO 100MHz
 - ISOLATION VOLTAGE: COMPLIES WITH IEEE802.3 2002, PARA 4.0.6.1.1, ITEM a or b.
- 4. C1 = 1000 pF, 2kV DECOUPLING CAPACITOR.
- 5. OPERATING TEMPERATURE: FROM 0°C TO -70°C.
- 6. R1-R4 = 75 OHMS, 5k, 1/16 W RESISTORS.
- 7. C2-C5 = 0.1μF, 50V CAPACITORS.
- 8. LED COMPLIANT WITH IEC60825-1 SAFETY OF LASER PRODUCTS. WHEN OPERATED UP TO 20 mA. THE 250 OHM RESISTOR IS INCLUDED.
- 9. INDICATED MAGNETIC CONNECTIONS ARE SYMMETRICAL AND SUPPORT AUTO-MDI/MDIX.
- 10. LED PEAK WAVELENGTH: GREEN(L) = 565nm, YELLOW(L) = 585nm
- 11. TRADEMARK, PART NUMBER, DATE CODE, COUNTRY OF ORIGIN AND AGENCY APPROVAL MARKING IN APPROXIMATE LOCATION SHOWN.

GREEN	GREEN	1-6610004-1
GREEN/YELLOW	GREEN	6610004-4
LED1	LED2	PART NUMBER

THIS DRAWING IS A CONTROLLED DOCUMENT		IN: 100% AQL OUT: 100% AQL REWORK: 100% AQL REPAIR: 100% AQL HOLD: 100% AQL REJECT: 100% AQL		Type Electronics Corporation Harrisburg, PA 17105-3608	
DESCRIPTION	QUANTITY	DATE	REV	BY	CHK
1-6610004-1	1000	10/22/04	1		
CUSTOMER DRAWING			DATE	REV	BY
			10/22/04	1	A

ELECTRICAL:



THIS DRAWING IS A CONTROLLED DOCUMENT		REV	DATE	DESCRIPTION	BY	CHKD	APP'D
REV	DATE	DESCRIPTION	BY	CHKD	APP'D		
1	108-2100	1X2 MAG45(TM) MODULAR JACK, SHIELDED, 702 (10 PIN HORIZONTAL FOOTPRINT) SCHEMATIC, 7022 GIGABIT MAGNETIC CIRCUIT, WITH LEADS					
CUSTOMER DRAWING		REV	DATE	DESCRIPTION	BY	CHKD	APP'D
CUSTOMER DRAWING		1	4-1				