



**Distributor of Texas Instruments: Excellent Integrated System Limited**

Datasheet of CD74HCT123M96G4 - IC DUAL RETRIG MULTIVIB 16-SOIC

Contact us: [sales@integrated-circuit.com](mailto:sales@integrated-circuit.com) Website: [www.integrated-circuit.com](http://www.integrated-circuit.com)

---

## **Excellent Integrated System Limited**

Stocking Distributor

Click to view price, real time Inventory, Delivery & Lifecycle Information:

[Texas Instruments](#)

[CD74HCT123M96G4](#)

For any questions, you can email us directly:

[sales@integrated-circuit.com](mailto:sales@integrated-circuit.com)



Data sheet acquired from Harris Semiconductor  
 SCHS142F

September 1997 - Revised October 2003

# CD54/74HC123, CD54/74HCT123, CD74HC423, CD74HCT423

## High-Speed CMOS Logic Dual Retriggerable Monostable Multivibrators with Resets

### Features

- Overriding Reset Terminates Output Pulse
- Triggering From the Leading or Trailing Edge
- Q and  $\bar{Q}$  Buffered Outputs
- Separate Resets
- Wide Range of Output-Pulse Widths
- Schmitt Trigger on Both  $\bar{A}$  and B Inputs
- Fanout (Over Temperature Range)
  - Standard Outputs . . . . . 10 LSTTL Loads
  - Bus Driver Outputs . . . . . 15 LSTTL Loads
- Wide Operating Temperature Range . . . -55°C to 125°C
- Balanced Propagation Delay and Transition Times
- Significant Power Reduction Compared to LSTTL Logic ICs
- HC Types
  - 2V to 6V Operation
  - High Noise Immunity:  $N_{IL} = 30\%$ ,  $N_{IH} = 30\%$  of  $V_{CC}$  at  $V_{CC} = 5V$
- HCT Types
  - 4.5V to 5.5V Operation
  - Direct LSTTL Input Logic Compatibility,  $V_{IL} = 0.8V$  (Max),  $V_{IH} = 2V$  (Min)
  - CMOS Input Compatibility,  $I_I \leq 1\mu A$  at  $V_{OL}$ ,  $V_{OH}$

### Description

The 'HC123, 'HCT123, CD74HC423 and CD74HCT423 are dual monostable multivibrators with resets. They are all retriggerable and differ only in that the 123 types can be triggered by a negative to positive reset pulse; whereas the 423 types do not have this feature. An external resistor ( $R_X$ ) and an external capacitor ( $C_X$ ) control the timing and the accuracy for the circuit. Adjustment of  $R_X$  and  $C_X$  provides a wide range of output pulse widths from the Q and  $\bar{Q}$  terminals. Pulse triggering on the  $\bar{A}$  and B inputs occur at a particular voltage level and is not related to the rise and fall times of the trigger pulses.

Once triggered, the output pulse width may be extended by retriggering inputs  $\bar{A}$  and B. The output pulse can be terminated by a LOW level on the Reset (R) pin. Trailing edge triggering ( $\bar{A}$ ) and leading edge triggering (B) inputs are provided for triggering from either edge of the input pulse. If either Mono is not used each input on the unused device (A, B, and R) must be terminated high or low.

The minimum value of external resistance,  $R_X$  is typically 5k $\Omega$ . The minimum value external capacitance,  $C_X$ , is 0pF. The calculation for the pulse width is  $t_W = 0.45 R_X C_X$  at  $V_{CC} = 5V$ .

### Ordering Information

| PART NUMBER   | TEMP. RANGE (°C) | PACKAGE      |
|---------------|------------------|--------------|
| CD54HC123F3A  | -55 to 125       | 16 Ld CERDIP |
| CD54HCT123F3A | -55 to 125       | 16 Ld CERDIP |
| CD74HC123E    | -55 to 125       | 16 Ld PDIP   |
| CD74HC123M    | -55 to 125       | 16 Ld SOIC   |
| CD74HC123MT   | -55 to 125       | 16 Ld SOIC   |
| CD74HC123M96  | -55 to 125       | 16 Ld SOIC   |
| CD74HC123NSR  | -55 to 125       | 16 Ld SOP    |
| CD74HC123PW   | -55 to 125       | 16 Ld TSSOP  |
| CD74HC123PWR  | -55 to 125       | 16 Ld TSSOP  |
| CD74HC123PWT  | -55 to 125       | 16 Ld TSSOP  |
| CD74HC423E    | -55 to 125       | 16 Ld PDIP   |
| CD74HC423M    | -55 to 125       | 16 Ld SOIC   |
| CD74HC423MT   | -55 to 125       | 16 Ld SOIC   |
| CD74HC423M96  | -55 to 125       | 16 Ld SOIC   |
| CD74HC423NSR  | -55 to 125       | 16 Ld SOP    |
| CD74HCT123E   | -55 to 125       | 16 Ld PDIP   |
| CD74HCT123M   | -55 to 125       | 16 Ld SOIC   |
| CD74HCT123MT  | -55 to 125       | 16 Ld SOIC   |
| CD74HCT123M96 | -55 to 125       | 16 Ld SOIC   |
| CD74HCT423E   | -55 to 125       | 16 Ld PDIP   |
| CD74HCT423MT  | -55 to 125       | 16 Ld SOIC   |
| CD74HCT423M96 | -55 to 125       | 16 Ld SOIC   |

NOTE: When ordering, use the entire part number. The suffixes 96 and R denote tape and reel. The suffix T denotes a small-quantity reel of 250.

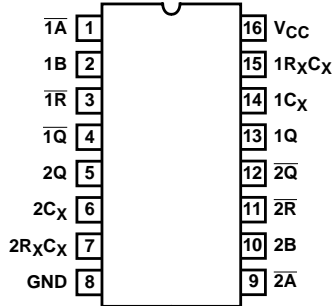
CAUTION: These devices are sensitive to electrostatic discharge. Users should follow proper IC Handling Procedures.

Copyright © 2003, Texas Instruments Incorporated

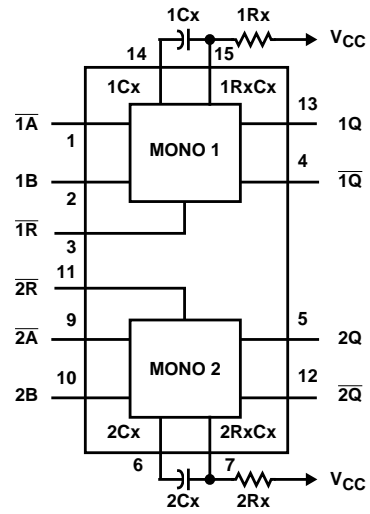
**CD54/74HC123, CD54/74HCT123, CD74HC423, CD74HCT423**

**Pinout**

CD54HC123, CD54HCT123  
 (CERDIP)  
 CD74HC123  
 (PDIP, SOIC, SOP, TSSOP)  
 CD74HC423  
 (PDIP, SOIC, SOP)  
 CD74HCT123, CD74HCT423  
 (PDIP, SOIC)  
 TOP VIEW



**Functional Diagram**



**TRUTH TABLE**

| INPUTS               |   |           | OUTPUTS |           |
|----------------------|---|-----------|---------|-----------|
| $\bar{A}$            | B | $\bar{R}$ | Q       | $\bar{Q}$ |
| <b>CD74HC/HCT123</b> |   |           |         |           |
| H                    | X | H         | L       | H         |
| X                    | L | H         | L       | H         |
| L                    | ↑ | H         | ⎓       | ⎓         |
| ↓                    | H | H         | ⎓       | ⎓         |
| X                    | X | L         | L       | H         |
| L                    | H | ↑         | ⎓       | ⎓         |
| <b>CD74HC/HCT423</b> |   |           |         |           |
| H                    | X | H         | L       | H         |
| X                    | L | H         | L       | H         |
| L                    | ↑ | H         | ⎓       | ⎓         |
| ↓                    | H | H         | ⎓       | ⎓         |
| X                    | X | L         | L       | H         |

H = High Voltage Level, L = Low Voltage Level,  
 X = Don't Care.

**CD54/74HC123, CD54/74HCT123, CD74HC423, CD74HCT423**

**Absolute Maximum Ratings**

DC Supply Voltage,  $V_{CC}$  ..... -0.5V to 7V  
 DC Input Diode Current,  $I_{IK}$   
 For  $V_I < -0.5V$  or  $V_I > V_{CC} + 0.5V$  .....  $\pm 20mA$   
 DC Output Diode Current,  $I_{OK}$   
 For  $V_O < -0.5V$  or  $V_O > V_{CC} + 0.5V$  .....  $\pm 20mA$   
 DC Output Source or Sink Current per Output Pin,  $I_O$   
 For  $V_O > -0.5V$  or  $V_O < V_{CC} + 0.5V$  .....  $\pm 25mA$   
 DC  $V_{CC}$  or Ground Current,  $I_{CC}$  or  $I_{GND}$  .....  $\pm 50mA$

**Thermal Information**

Package Thermal Impedance,  $\theta_{JA}$  (see Note 1):  
 E (PDIP) Package .....  $67^{\circ}C/W$   
 M (SOIC) Package .....  $73^{\circ}C/W$   
 NS (SOP) Package .....  $64^{\circ}C/W$   
 PW (TSSOP) Package .....  $108^{\circ}C/W$   
 Maximum Junction Temperature .....  $150^{\circ}C$   
 Maximum Storage Temperature Range .....  $-65^{\circ}C$  to  $150^{\circ}C$   
 Maximum Lead Temperature (Soldering 10s) .....  $300^{\circ}C$   
 (SOIC - Lead Tips Only)

**Operating Conditions**

Temperature Range ( $T_A$ ) .....  $-55^{\circ}C$  to  $125^{\circ}C$   
 Supply Voltage Range,  $V_{CC}$   
 HC Types ..... 2V to 6V  
 HCT Types ..... 4.5V to 5.5V  
 DC Input or Output Voltage,  $V_I, V_O$  ..... 0V to  $V_{CC}$   
 Input Rise and Fall Time  
 2V ..... 1000ns (Max)  
 4.5V ..... 500ns (Max)  
 6V ..... 400ns (Max)

CAUTION: Stresses above those listed in "Absolute Maximum Ratings" may cause permanent damage to the device. This is a stress only rating and operation of the device at these or any other conditions above those indicated in the operational sections of this specification is not implied.

NOTE:

- The package thermal impedance is calculated in accordance with JESD 51-7.

**DC Electrical Specifications**

| PARAMETER                               | SYMBOL   | TEST CONDITIONS      |            | $V_{CC}$ (V) | 25°C |      |           | -40°C TO 85°C |         | -55°C TO 125°C |         | UNITS   |   |
|-----------------------------------------|----------|----------------------|------------|--------------|------|------|-----------|---------------|---------|----------------|---------|---------|---|
|                                         |          | $V_I$ (V)            | $I_O$ (mA) |              | MIN  | TYP  | MAX       | MIN           | MAX     | MIN            | MAX     |         |   |
| <b>HC TYPES</b>                         |          |                      |            |              |      |      |           |               |         |                |         |         |   |
| High Level Input Voltage                | $V_{IH}$ | -                    | -          | 2            | 1.5  | -    | -         | 1.5           | -       | 1.5            | -       | V       |   |
|                                         |          |                      |            | 4.5          | 3.15 | -    | -         | 3.15          | -       | 3.15           | -       | V       |   |
|                                         |          |                      |            | 6            | 4.2  | -    | -         | 4.2           | -       | 4.2            | -       | V       |   |
| Low Level Input Voltage                 | $V_{IL}$ | -                    | -          | 2            | -    | -    | 0.5       | -             | 0.5     | -              | 0.5     | V       |   |
|                                         |          |                      |            | 4.5          | -    | -    | 1.35      | -             | 1.35    | -              | 1.35    | V       |   |
|                                         |          |                      |            | 6            | -    | -    | 1.8       | -             | 1.8     | -              | 1.8     | V       |   |
| High Level Output Voltage<br>CMOS Loads | $V_{OH}$ | $V_{IH}$ or $V_{IL}$ | -0.02      | -0.02        | 2    | 1.9  | -         | -             | 1.9     | -              | 1.9     | -       | V |
|                                         |          |                      | -0.02      | -0.02        | 4.5  | 4.4  | -         | -             | 4.4     | -              | 4.4     | -       | V |
|                                         |          |                      | -0.02      | -0.02        | 6    | 5.9  | -         | -             | 5.9     | -              | 5.9     | -       | V |
| High Level Output Voltage<br>TTL Loads  | $V_{OH}$ | $V_{IH}$ or $V_{IL}$ | -          | -            | -    | -    | -         | -             | -       | -              | -       | V       |   |
|                                         |          |                      | -4         | -4           | 4.5  | 3.98 | -         | -             | 3.84    | -              | 3.7     | -       | V |
|                                         |          |                      | -5.2       | -5.2         | 6    | 5.48 | -         | -             | 5.34    | -              | 5.2     | -       | V |
| Low Level Output Voltage<br>CMOS Loads  | $V_{OL}$ | $V_{IH}$ or $V_{IL}$ | 0.02       | 0.02         | 2    | -    | -         | 0.1           | -       | 0.1            | -       | 0.1     | V |
|                                         |          |                      | 0.02       | 0.02         | 4.5  | -    | -         | 0.1           | -       | 0.1            | -       | 0.1     | V |
|                                         |          |                      | 0.02       | 0.02         | 6    | -    | -         | 0.1           | -       | 0.1            | -       | 0.1     | V |
| Low Level Output Voltage<br>TTL Loads   | $V_{OL}$ | $V_{IH}$ or $V_{IL}$ | -          | -            | -    | -    | -         | -             | -       | -              | -       | V       |   |
|                                         |          |                      | 4          | 4            | 4.5  | -    | -         | 0.26          | -       | 0.33           | -       | 0.4     | V |
|                                         |          |                      | 5.2        | 5.2          | 6    | -    | -         | 0.26          | -       | 0.33           | -       | 0.4     | V |
| Input Leakage Current                   | $I_I$    | $V_{CC}$ or GND      | -          | 6            | -    | -    | $\pm 0.1$ | -             | $\pm 1$ | -              | $\pm 1$ | $\mu A$ |   |
| Quiescent Device Current                | $I_{CC}$ | $V_{CC}$ or GND      | 0          | 6            | -    | -    | 8         | -             | 80      | -              | 160     | $\mu A$ |   |

**CD54/74HC123, CD54/74HCT123, CD74HC423, CD74HCT423**

**DC Electrical Specifications (Continued)**

| PARAMETER                                                      | SYMBOL                    | TEST CONDITIONS                    |                     | V <sub>CC</sub> (V) | 25°C |     |      | -40°C TO 85°C |      | -55°C TO 125°C |     | UNITS |
|----------------------------------------------------------------|---------------------------|------------------------------------|---------------------|---------------------|------|-----|------|---------------|------|----------------|-----|-------|
|                                                                |                           | V <sub>I</sub> (V)                 | I <sub>O</sub> (mA) |                     | MIN  | TYP | MAX  | MIN           | MAX  | MIN            | MAX |       |
| <b>HCT TYPES</b>                                               |                           |                                    |                     |                     |      |     |      |               |      |                |     |       |
| High Level Input Voltage                                       | V <sub>IH</sub>           | -                                  | -                   | 4.5 to 5.5          | 2    | -   | -    | 2             | -    | 2              | -   | V     |
| Low Level Input Voltage                                        | V <sub>IL</sub>           | -                                  | -                   | 4.5 to 5.5          | -    | -   | 0.8  | -             | 0.8  | -              | 0.8 | V     |
| High Level Output Voltage<br>CMOS Loads                        | V <sub>OH</sub>           | V <sub>IH</sub> or V <sub>IL</sub> | -0.02               | 4.5                 | 4.4  | -   | -    | 4.4           | -    | 4.4            | -   | V     |
| High Level Output Voltage<br>TTL Loads                         |                           |                                    | -4                  | 4.5                 | 3.98 | -   | -    | 3.84          | -    | 3.7            | -   | V     |
| Low Level Output Voltage<br>CMOS Loads                         | V <sub>OL</sub>           | V <sub>IH</sub> or V <sub>IL</sub> | 0.02                | 4.5                 | -    | -   | 0.1  | -             | 0.1  | -              | 0.1 | V     |
| Low Level Output Voltage<br>TTL Loads                          |                           |                                    | 4                   | 4.5                 | -    | -   | 0.26 | -             | 0.33 | -              | 0.4 | V     |
| Input Leakage Current                                          | I <sub>I</sub>            | V <sub>CC</sub> and GND            | 0                   | 5.5                 | -    | -   | ±0.1 | -             | ±1   | -              | ±1  | μA    |
| Quiescent Device Current                                       | I <sub>CC</sub>           | V <sub>CC</sub> or GND             | 0                   | 5.5                 | -    | -   | 8    | -             | 80   | -              | 160 | μA    |
| Additional Quiescent Device Current Per Input Pin: 1 Unit Load | ΔI <sub>CC</sub> (Note 2) | V <sub>CC</sub> -2.1               | -                   | 4.5 to 5.5          | -    | 100 | 360  | -             | 450  | -              | 490 | μA    |

NOTE:

2. For dual-supply systems theoretical worst case (V<sub>I</sub> = 2.4V, V<sub>CC</sub> = 5.5V) specification is 1.8mA.

**HCT Input Loading Table**

| INPUT | UNIT LOADS |
|-------|------------|
| All   | 0.35       |

NOTE: Unit Load is ΔI<sub>CC</sub> limit specified in DC Electrical Table, e.g. 360μA max at 25°C.

**Prerequisite for Switching Specifications**

| PARAMETER                        | SYMBOL          | V <sub>CC</sub> (V) | 25°C |     |     | -40°C TO 85°C |     |     | -55°C TO 125°C |     |     | UNITS |
|----------------------------------|-----------------|---------------------|------|-----|-----|---------------|-----|-----|----------------|-----|-----|-------|
|                                  |                 |                     | MIN  | TYP | MAX | MIN           | TYP | MAX | MIN            | TYP | MAX |       |
| <b>HC TYPES</b>                  |                 |                     |      |     |     |               |     |     |                |     |     |       |
| Minimum Input, Pulse Width<br>A̅ | t <sub>WL</sub> | 2                   | 100  | -   | -   | 125           | -   | -   | 150            | -   | -   | ns    |
|                                  |                 | 4.5                 | 20   | -   | -   | 25            | -   | -   | 30             | -   | -   | ns    |
|                                  |                 | 6                   | 17   | -   | -   | 21            | -   | -   | 26             | -   | -   | ns    |
| B                                | t <sub>WH</sub> | 2                   | 100  | -   | -   | 125           | -   | -   | 150            | -   | -   | ns    |
|                                  |                 | 4.5                 | 20   | -   | -   | 25            | -   | -   | 30             | -   | -   | ns    |
|                                  |                 | 6                   | 17   | -   | -   | 21            | -   | -   | 26             | -   | -   | ns    |

**CD54/74HC123, CD54/74HCT123, CD74HC423, CD74HCT423**

**Prerequisite for Switching Specifications (Continued)**

| PARAMETER                                                             | SYMBOL    | V <sub>CC</sub> (V) | 25°C |     |     | -40°C TO 85°C |     |      | -55°C TO 125°C |     |      | UNITS   |
|-----------------------------------------------------------------------|-----------|---------------------|------|-----|-----|---------------|-----|------|----------------|-----|------|---------|
|                                                                       |           |                     | MIN  | TYP | MAX | MIN           | TYP | MAX  | MIN            | TYP | MAX  |         |
| $\bar{R}$                                                             | $t_{WL}$  | 2                   | 100  | -   | -   | 125           | -   | -    | 150            | -   | 150  | ns      |
|                                                                       |           | 4.5                 | 20   | -   | -   | 25            | -   | -    | 30             | -   | 30   | ns      |
|                                                                       |           | 6                   | 17   | -   | -   | 21            | -   | -    | 26             | -   | 26   | ns      |
| $\bar{A}$ and B Hold Time                                             | $t_H$     | 2                   | 50   | -   | -   | 65            | -   | -    | 75             | -   | 75   | ns      |
|                                                                       |           | 4.5                 | 10   | -   | -   | 13            | -   | -    | 15             | -   | 15   | ns      |
|                                                                       |           | 6                   | 9    | -   | -   | 11            | -   | -    | 13             | -   | 13   | ns      |
| Reset Removal Time                                                    | $t_{REM}$ | 2                   | 50   | -   | -   | 65            | -   | -    | 75             | -   | 75   | ns      |
|                                                                       |           | 4.5                 | 10   | -   | -   | 13            | -   | -    | 15             | -   | 15   | ns      |
|                                                                       |           | 6                   | 9    | -   | -   | 11            | -   | -    | 13             | -   | 13   | ns      |
| Retrigger Time Number<br>$R_X = 10K\Omega, C_X = 0$                   | $t_{RT}$  | 5                   | -    | -   | -   | -             | -   | -    | -              | -   | -    | ns      |
|                                                                       |           |                     | -    | 50  | -   | -             | 63  | -    | -              | 76  | -    | ns      |
| Output Pulse Width<br>Q or $\bar{Q}$<br>$R_X = 10K\Omega, C_X = 10nF$ | $t_W$     | 5                   | 40   | -   | 50  | 38.7          | -   | 51.3 | 38.2           | -   | 51.8 | $\mu s$ |

**HCT TYPES**

|                                                                    |           |   |    |    |    |      |    |      |      |    |      |         |
|--------------------------------------------------------------------|-----------|---|----|----|----|------|----|------|------|----|------|---------|
| Minimum Input, Pulse Width                                         | $t_{WL}$  | 5 |    |    |    |      |    |      |      |    |      | -       |
| $\bar{A}$                                                          |           |   | 20 | -  | -  | 25   | -  | -    | 30   | -  | -    | ns      |
| B                                                                  | $t_{WH}$  |   | 20 | -  | -  | 25   | -  | -    | 30   | -  | -    | ns      |
| $\bar{R}$                                                          | $t_{WL}$  |   | 20 | -  | -  | 25   | -  | -    | 30   | -  | -    | ns      |
| $\bar{A}$ and B Hold Time                                          | $t_H$     | 5 | 10 | -  | -  | 13   | -  | -    | 15   | -  | -    | ns      |
| Reset Removal Time                                                 | $t_{REM}$ | 5 | 10 | -  | -  | 13   | -  | -    | 15   |    | -    | ns      |
| Retrigger Time Number (Note 3)<br>$R_X = 10K\Omega, C_X = 0$       | $t_{RT}$  | 5 | -  | 50 | -  | -    | 63 | -    | -    | 76 | -    | ns      |
| Output Pulse Width Q or $\bar{Q}$<br>$R_X = 10K\Omega, C_X = 10nF$ | $t_W$     | 5 | 40 | -  | 50 | 38.7 | -  | 51.3 | 38.2 | -  | 51.8 | $\mu s$ |

**NOTE:**

- Time to trigger depends on the values of  $R_X$  and  $C_X$ . The output pulse width can only be extended when the time between the active-going edges of the trigger input pulses meet the minimum retrigger time requirement.

**CD54/74HC123, CD54/74HCT123, CD74HC423, CD74HCT423**

**Switching Specifications** Input  $t_r, t_f = 6\text{ns}$ ,  $R_X = 10\text{K}\Omega$ ,  $C_X = 0$

| PARAMETER                                                                                                | SYMBOL             | TEST CONDITIONS     | $V_{CC}$ (V) | 25°C |         |     | -40°C TO 85°C |     | -55°C TO 125°C |               | UNIT S        |
|----------------------------------------------------------------------------------------------------------|--------------------|---------------------|--------------|------|---------|-----|---------------|-----|----------------|---------------|---------------|
|                                                                                                          |                    |                     |              | MIN  | TYP     | MAX | MIN           | MAX | MIN            | MAX           |               |
| <b>HC TYPES</b>                                                                                          |                    |                     |              |      |         |     |               |     |                |               |               |
| Trigger Propagation Delay<br>$\bar{A}, B, \bar{R}$ to $\bar{Q}$                                          | $t_{PLH}$          | $C_L = 50\text{pF}$ | 2            | -    | -       | 300 | -             | 375 | -              | 450           | ns            |
|                                                                                                          |                    |                     | 4.5          | -    | -       | 60  | -             | 75  | -              | 90            | ns            |
|                                                                                                          |                    | $C_L = 15\text{pF}$ | 5            | -    | 25      | -   | -             | -   | -              | -             | ns            |
|                                                                                                          |                    | $C_L = 50\text{pF}$ | 6            | -    | -       | 51  | -             | 64  | -              | 76            | ns            |
| $\bar{A}, B, \bar{R}$ to $\bar{Q}$                                                                       | $t_{PHL}$          | $C_L = 50\text{pF}$ | 2            | -    | -       | 320 | -             | 400 | -              | 480           | ns            |
|                                                                                                          |                    |                     | 4.5          | -    | -       | 64  | -             | 80  | -              | 96            | ns            |
|                                                                                                          |                    | $C_L = 15\text{pF}$ | 5            | -    | 26      | -   | -             | -   | -              | -             | ns            |
|                                                                                                          |                    | $C_L = 50\text{pF}$ | 6            | -    | -       | 54  | -             | 68  | -              | 82            | ns            |
| Reset Propagation Delay<br>$\bar{R}$ to $\bar{Q}$ or $\bar{Q}$                                           | $t_{PHL}, t_{PLH}$ | $C_L = 50\text{pF}$ | 2            | -    | -       | 215 | -             | 270 | -              | 325           | ns            |
|                                                                                                          |                    |                     | 4.5          | -    | -       | 43  | -             | 54  | -              | 65            | ns            |
|                                                                                                          |                    |                     | 6            | -    | -       | 37  | -             | 46  | -              | 55            | ns            |
| Output Transition Time                                                                                   | $t_{THL}, t_{TLH}$ | $C_L = 50\text{pF}$ | 2            | -    | -       | 75  | -             | 95  | -              | 110           | ns            |
|                                                                                                          |                    |                     | 4.5          | -    | -       | 15  | -             | 19  | -              | 22            | ns            |
|                                                                                                          |                    |                     | 6            | -    | -       | 13  | -             | 16  | -              | 19            | ns            |
| Output Pulse Width<br>$R_X = 10\text{K}\Omega, C_X = 10\text{nF}$                                        | -                  | -                   | 5            | -    | 45      | -   | -             | -   | -              | $\mu\text{s}$ |               |
| Pulse Width Match Between<br>Circuits In the Same Package<br>$R_X = 10\text{K}\Omega, C_X = 10\text{pF}$ | -                  | -                   | 5            | -    | $\pm 2$ | -   | -             | -   | -              | %             |               |
| Power Dissipation Capacitance<br>(Note 4)                                                                | $C_{PD}$           | $C_L = 15\text{pF}$ | 5            | -    | -       | -   | -             | -   | -              | -             | pF            |
| Input Capacitance                                                                                        | $C_{IN}$           | $C_L = 50\text{pF}$ | -            | 10   | -       | 10  | -             | 10  | -              | 10            | pF            |
| <b>HCT TYPES</b>                                                                                         |                    |                     |              |      |         |     |               |     |                |               |               |
| Trigger Propagation Delay<br>$\bar{A}, B, \bar{R}$ to $\bar{Q}$                                          | $t_{PLH}$          | $C_L = 50\text{pF}$ | 4.5          | -    | -       | 60  | -             | 75  | -              | 90            | ns            |
|                                                                                                          |                    | $C_L = 15\text{pF}$ | 5            | -    | 25      | -   | -             | -   | -              | -             | ns            |
| $\bar{A}, B, \bar{R}$ to $\bar{Q}$                                                                       | $t_{PHL}$          | $C_L = 50\text{pF}$ | 4.5          | -    | -       | 68  | -             | 85  | -              | 102           | ns            |
|                                                                                                          |                    | $C_L = 15\text{pF}$ | 5            | -    | 27      | -   | -             | -   | -              | -             | ns            |
| Reset Propagation Delay<br>$\bar{R}$ to $\bar{Q}$ or $\bar{Q}$                                           | $t_{PHL}, t_{PLH}$ | $C_L = 50\text{pF}$ | 4.5          | -    | -       | 48  | -             | 60  | -              | 72            | ns            |
| Output Transition Time                                                                                   | $t_{THL}, t_{TLH}$ | $C_L = 50\text{pF}$ | 4.5          | -    | -       | 15  | -             | 19  | -              | 22            | ns            |
| Output Pulse Width<br>$R_X = 10\text{K}\Omega, C_X = 10\text{nF}$                                        | -                  | -                   | 5            | -    | 45      | -   | -             | -   | -              | -             | $\mu\text{s}$ |

**CD54/74HC123, CD54/74HCT123, CD74HC423, CD74HCT423**

**Switching Specifications** Input  $t_r, t_f = 6\text{ns}$ ,  $R_X = 10\text{K}\Omega$ ,  $C_X = 0$  (Continued)

| PARAMETER                                                                                                | SYMBOL   | TEST CONDITIONS     | $V_{CC}$ (V) | 25°C |         |     | -40°C TO 85°C |     | -55°C TO 125°C |     | UNIT S |
|----------------------------------------------------------------------------------------------------------|----------|---------------------|--------------|------|---------|-----|---------------|-----|----------------|-----|--------|
|                                                                                                          |          |                     |              | MIN  | TYP     | MAX | MIN           | MAX | MIN            | MAX |        |
| Pulse Width Match Between Circuits In the Same Package<br>$R_X = 10\text{K}\Omega$ , $C_X = 10\text{pF}$ | -        | -                   | 5            |      | $\pm 2$ | -   | -             | -   | -              | -   | %      |
| Input Capacitance                                                                                        | $C_{IN}$ | $C_L = 50\text{pF}$ | -            | -    | -       | 10  | -             | 10  | -              | 10  | pF     |

NOTE:

4.  $C_{PD}$  is used to determine the dynamic power consumption, per multivibrator.

$$P_D = (C_{PD} + C_X) V_{CC}^2 f_i \Sigma(C_L V_{CC}^2 f_O)$$

Where

$f_i$  = input frequency

$f_O$  = Output Frequency

$C_L$  = Output Load Capacitance

$C_X$  = External Capacitance

$V_{CC}$  = Supply Voltage,

assuming  $f_i \ll \frac{1}{t_W}$



### Test Circuits and Waveforms

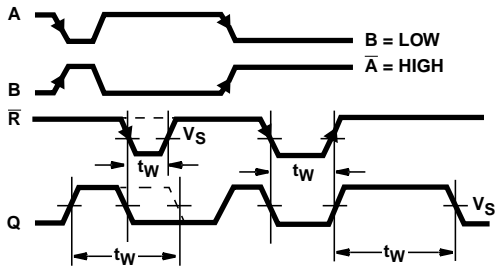


FIGURE 1. OUTPUT PULSE CONTROL USING RESET INPUT ( $\bar{R}$ ) PULSE FOR 123

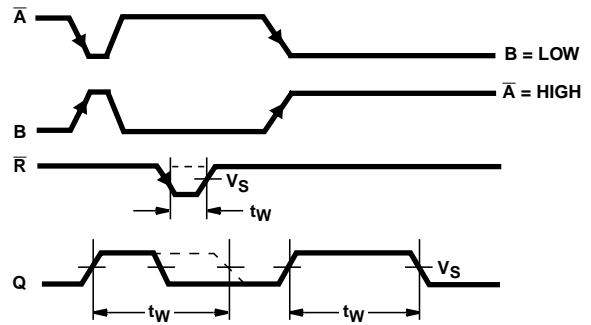
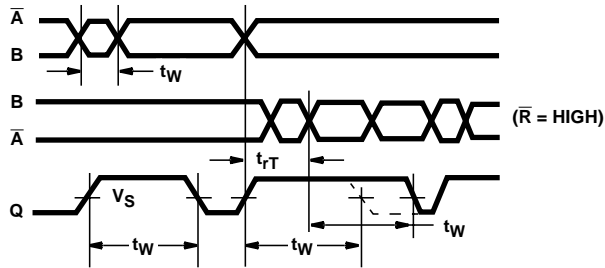


FIGURE 2. OUTPUT PULSE CONTROL USING RESET INPUT ( $\bar{R}$ ) FOR 423



NOTE: Output pulse control using retrigger pulse for 123 and 423.

FIGURE 3. TRIGGERING OF ONE SHOT BY INPUT  $\bar{A}$  OR INPUT B FOR A PERIOD  $t_w$

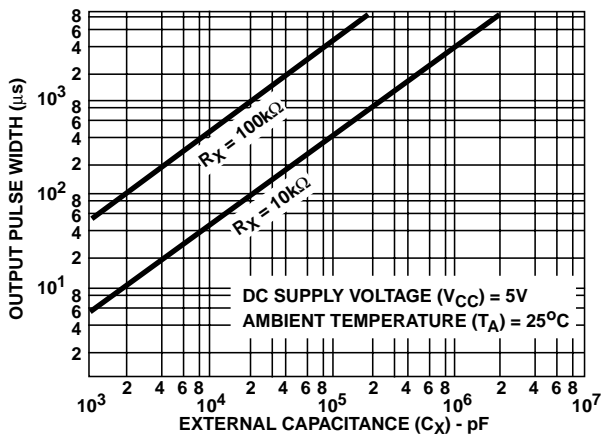


FIGURE 4. TYPICAL OUTPUT PULSE WIDTH AS A FUNCTION OF  $C_X$  FOR  $R_X = 10k\Omega$  AND  $100k\Omega$

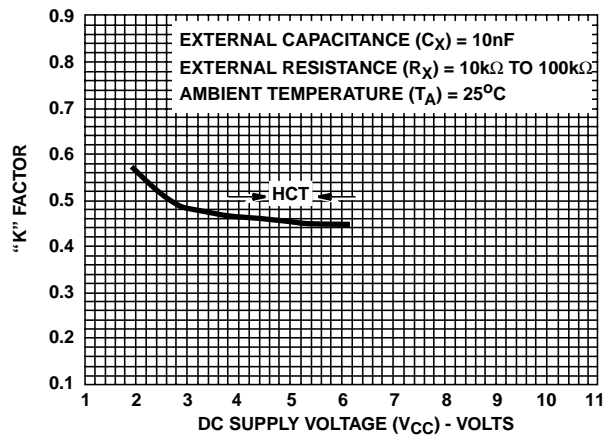


FIGURE 5. TYPICAL "K" FACTOR AS A FUNCTION OF  $V_{CC}$

**PACKAGING INFORMATION**

| Orderable Device | Status<br>(1) | Package Type | Package Drawing | Pins | Package Qty | Eco Plan<br>(2)         | Lead/Ball Finish<br>(6) | MSL Peak Temp<br>(3) | Op Temp (°C) | Device Marking<br>(4/5)         | Samples                 |
|------------------|---------------|--------------|-----------------|------|-------------|-------------------------|-------------------------|----------------------|--------------|---------------------------------|-------------------------|
| 5962-8684701EA   | ACTIVE        | CDIP         | J               | 16   | 1           | TBD                     | A42                     | N / A for Pkg Type   | -55 to 125   | 5962-8684701EA<br>CD54HC123F3A  | <a href="#">Samples</a> |
| 5962-8970001EA   | ACTIVE        | CDIP         | J               | 16   | 1           | TBD                     | A42                     | N / A for Pkg Type   | -55 to 125   | 5962-8970001EA<br>CD54HCT123F3A | <a href="#">Samples</a> |
| CD54HC123F       | ACTIVE        | CDIP         | J               | 16   | 1           | TBD                     | A42                     | N / A for Pkg Type   | -55 to 125   | CD54HC123F                      | <a href="#">Samples</a> |
| CD54HC123F3A     | ACTIVE        | CDIP         | J               | 16   | 1           | TBD                     | A42                     | N / A for Pkg Type   | -55 to 125   | 5962-8684701EA<br>CD54HC123F3A  | <a href="#">Samples</a> |
| CD54HCT123F3A    | ACTIVE        | CDIP         | J               | 16   | 1           | TBD                     | A42                     | N / A for Pkg Type   | -55 to 125   | 5962-8970001EA<br>CD54HCT123F3A | <a href="#">Samples</a> |
| CD74HC123E       | ACTIVE        | PDIP         | N               | 16   | 25          | Pb-Free (RoHS)          | CU NIPDAU               | N / A for Pkg Type   | -55 to 125   | CD74HC123E                      | <a href="#">Samples</a> |
| CD74HC123EE4     | ACTIVE        | PDIP         | N               | 16   | 25          | Pb-Free (RoHS)          | CU NIPDAU               | N / A for Pkg Type   | -55 to 125   | CD74HC123E                      | <a href="#">Samples</a> |
| CD74HC123M       | ACTIVE        | SOIC         | D               | 16   | 40          | Green (RoHS & no Sb/Br) | CU NIPDAU               | Level-1-260C-UNLIM   | -55 to 125   | HC123M                          | <a href="#">Samples</a> |
| CD74HC123M96     | ACTIVE        | SOIC         | D               | 16   | 2500        | Green (RoHS & no Sb/Br) | CU NIPDAU   CU SN       | Level-1-260C-UNLIM   | -55 to 125   | HC123M                          | <a href="#">Samples</a> |
| CD74HC123M96E4   | ACTIVE        | SOIC         | D               | 16   | 2500        | Green (RoHS & no Sb/Br) | CU NIPDAU               | Level-1-260C-UNLIM   | -55 to 125   | HC123M                          | <a href="#">Samples</a> |
| CD74HC123M96G4   | ACTIVE        | SOIC         | D               | 16   | 2500        | Green (RoHS & no Sb/Br) | CU NIPDAU               | Level-1-260C-UNLIM   | -55 to 125   | HC123M                          | <a href="#">Samples</a> |
| CD74HC123ME4     | ACTIVE        | SOIC         | D               | 16   | 40          | Green (RoHS & no Sb/Br) | CU NIPDAU               | Level-1-260C-UNLIM   | -55 to 125   | HC123M                          | <a href="#">Samples</a> |
| CD74HC123MG4     | ACTIVE        | SOIC         | D               | 16   | 40          | Green (RoHS & no Sb/Br) | CU NIPDAU               | Level-1-260C-UNLIM   | -55 to 125   | HC123M                          | <a href="#">Samples</a> |
| CD74HC123MT      | ACTIVE        | SOIC         | D               | 16   | 250         | Green (RoHS & no Sb/Br) | CU NIPDAU               | Level-1-260C-UNLIM   | -55 to 125   | HC123M                          | <a href="#">Samples</a> |
| CD74HC123MTG4    | ACTIVE        | SOIC         | D               | 16   | 250         | Green (RoHS & no Sb/Br) | CU NIPDAU               | Level-1-260C-UNLIM   | -55 to 125   | HC123M                          | <a href="#">Samples</a> |
| CD74HC123NSR     | ACTIVE        | SO           | NS              | 16   | 2000        | Green (RoHS & no Sb/Br) | CU NIPDAU               | Level-1-260C-UNLIM   | -55 to 125   | HC123M                          | <a href="#">Samples</a> |
| CD74HC123NSRG4   | ACTIVE        | SO           | NS              | 16   | 2000        | Green (RoHS & no Sb/Br) | CU NIPDAU               | Level-1-260C-UNLIM   | -55 to 125   | HC123M                          | <a href="#">Samples</a> |

| Orderable Device | Status<br>(1) | Package Type | Package Drawing | Pins | Package Qty | Eco Plan<br>(2)         | Lead/Ball Finish<br>(6) | MSL Peak Temp<br>(3) | Op Temp (°C) | Device Marking<br>(4/5) | Samples                 |
|------------------|---------------|--------------|-----------------|------|-------------|-------------------------|-------------------------|----------------------|--------------|-------------------------|-------------------------|
| CD74HC123PW      | ACTIVE        | TSSOP        | PW              | 16   | 90          | Green (RoHS & no Sb/Br) | CU NIPDAU               | Level-1-260C-UNLIM   | -55 to 125   | HJ123                   | <a href="#">Samples</a> |
| CD74HC123PWE4    | ACTIVE        | TSSOP        | PW              | 16   | 90          | Green (RoHS & no Sb/Br) | CU NIPDAU               | Level-1-260C-UNLIM   | -55 to 125   | HJ123                   | <a href="#">Samples</a> |
| CD74HC123PWG4    | ACTIVE        | TSSOP        | PW              | 16   | 90          | Green (RoHS & no Sb/Br) | CU NIPDAU               | Level-1-260C-UNLIM   | -55 to 125   | HJ123                   | <a href="#">Samples</a> |
| CD74HC123PWR     | ACTIVE        | TSSOP        | PW              | 16   | 2000        | Green (RoHS & no Sb/Br) | CU NIPDAU   CU SN       | Level-1-260C-UNLIM   | -55 to 125   | HJ123                   | <a href="#">Samples</a> |
| CD74HC123PWRE4   | ACTIVE        | TSSOP        | PW              | 16   | 2000        | Green (RoHS & no Sb/Br) | CU NIPDAU               | Level-1-260C-UNLIM   | -55 to 125   | HJ123                   | <a href="#">Samples</a> |
| CD74HC123PWG4    | ACTIVE        | TSSOP        | PW              | 16   | 2000        | Green (RoHS & no Sb/Br) | CU NIPDAU               | Level-1-260C-UNLIM   | -55 to 125   | HJ123                   | <a href="#">Samples</a> |
| CD74HC123PWT     | ACTIVE        | TSSOP        | PW              | 16   | 250         | Green (RoHS & no Sb/Br) | CU NIPDAU               | Level-1-260C-UNLIM   | -55 to 125   | HJ123                   | <a href="#">Samples</a> |
| CD74HC123PWTG4   | ACTIVE        | TSSOP        | PW              | 16   | 250         | Green (RoHS & no Sb/Br) | CU NIPDAU               | Level-1-260C-UNLIM   | -55 to 125   | HJ123                   | <a href="#">Samples</a> |
| CD74HC423E       | ACTIVE        | PDIP         | N               | 16   | 25          | Pb-Free (RoHS)          | CU NIPDAU               | N / A for Pkg Type   | -55 to 125   | CD74HC423E              | <a href="#">Samples</a> |
| CD74HC423M       | ACTIVE        | SOIC         | D               | 16   | 40          | Green (RoHS & no Sb/Br) | CU NIPDAU               | Level-1-260C-UNLIM   | -55 to 125   | HC423M                  | <a href="#">Samples</a> |
| CD74HC423M96     | ACTIVE        | SOIC         | D               | 16   | 2500        | Green (RoHS & no Sb/Br) | CU NIPDAU               | Level-1-260C-UNLIM   | -55 to 125   | HC423M                  | <a href="#">Samples</a> |
| CD74HC423M96G4   | ACTIVE        | SOIC         | D               | 16   | 2500        | Green (RoHS & no Sb/Br) | CU NIPDAU               | Level-1-260C-UNLIM   | -55 to 125   | HC423M                  | <a href="#">Samples</a> |
| CD74HC423MT      | ACTIVE        | SOIC         | D               | 16   | 250         | Green (RoHS & no Sb/Br) | CU NIPDAU               | Level-1-260C-UNLIM   | -55 to 125   | HC423M                  | <a href="#">Samples</a> |
| CD74HC423NSR     | ACTIVE        | SO           | NS              | 16   | 2000        | Green (RoHS & no Sb/Br) | CU NIPDAU               | Level-1-260C-UNLIM   | -55 to 125   | HC423M                  | <a href="#">Samples</a> |
| CD74HCT123E      | ACTIVE        | PDIP         | N               | 16   | 25          | Pb-Free (RoHS)          | CU NIPDAU               | N / A for Pkg Type   | -55 to 125   | CD74HCT123E             | <a href="#">Samples</a> |
| CD74HCT123M      | ACTIVE        | SOIC         | D               | 16   | 40          | Green (RoHS & no Sb/Br) | CU NIPDAU               | Level-1-260C-UNLIM   | -55 to 125   | HCT123M                 | <a href="#">Samples</a> |
| CD74HCT123M96    | ACTIVE        | SOIC         | D               | 16   | 2500        | Green (RoHS & no Sb/Br) | CU NIPDAU               | Level-1-260C-UNLIM   | -55 to 125   | HCT123M                 | <a href="#">Samples</a> |
| CD74HCT123M96G4  | ACTIVE        | SOIC         | D               | 16   | 2500        | Green (RoHS & no Sb/Br) | CU NIPDAU               | Level-1-260C-UNLIM   | -55 to 125   | HCT123M                 | <a href="#">Samples</a> |

| Orderable Device | Status<br>(1) | Package Type | Package Drawing | Pins | Package Qty | Eco Plan<br>(2)         | Lead/Ball Finish<br>(6) | MSL Peak Temp<br>(3) | Op Temp (°C) | Device Marking<br>(4/5) | Samples                 |
|------------------|---------------|--------------|-----------------|------|-------------|-------------------------|-------------------------|----------------------|--------------|-------------------------|-------------------------|
| CD74HCT123ME4    | ACTIVE        | SOIC         | D               | 16   | 40          | Green (RoHS & no Sb/Br) | CU NIPDAU               | Level-1-260C-UNLIM   | -55 to 125   | HCT123M                 | <a href="#">Samples</a> |
| CD74HCT123MG4    | ACTIVE        | SOIC         | D               | 16   | 40          | Green (RoHS & no Sb/Br) | CU NIPDAU               | Level-1-260C-UNLIM   | -55 to 125   | HCT123M                 | <a href="#">Samples</a> |
| CD74HCT123MT     | ACTIVE        | SOIC         | D               | 16   | 250         | Green (RoHS & no Sb/Br) | CU NIPDAU               | Level-1-260C-UNLIM   | -55 to 125   | HCT123M                 | <a href="#">Samples</a> |
| CD74HCT423E      | ACTIVE        | PDIP         | N               | 16   | 25          | Pb-Free (RoHS)          | CU NIPDAU               | N / A for Pkg Type   | -55 to 125   | CD74HCT423E             | <a href="#">Samples</a> |
| CD74HCT423M96    | ACTIVE        | SOIC         | D               | 16   | 2500        | Green (RoHS & no Sb/Br) | CU NIPDAU               | Level-1-260C-UNLIM   | -55 to 125   | HCT423M                 | <a href="#">Samples</a> |
| CD74HCT423M96G4  | ACTIVE        | SOIC         | D               | 16   | 2500        | Green (RoHS & no Sb/Br) | CU NIPDAU               | Level-1-260C-UNLIM   | -55 to 125   | HCT423M                 | <a href="#">Samples</a> |
| CD74HCT423MT     | ACTIVE        | SOIC         | D               | 16   | 250         | Green (RoHS & no Sb/Br) | CU NIPDAU               | Level-1-260C-UNLIM   | -55 to 125   | HCT423M                 | <a href="#">Samples</a> |
| CD74HCT423MTE4   | ACTIVE        | SOIC         | D               | 16   | 250         | Green (RoHS & no Sb/Br) | CU NIPDAU               | Level-1-260C-UNLIM   | -55 to 125   | HCT423M                 | <a href="#">Samples</a> |
| CD74HCT423MTG4   | ACTIVE        | SOIC         | D               | 16   | 250         | Green (RoHS & no Sb/Br) | CU NIPDAU               | Level-1-260C-UNLIM   | -55 to 125   | HCT423M                 | <a href="#">Samples</a> |

(1) The marketing status values are defined as follows:

**ACTIVE:** Product device recommended for new designs.

**LIFEBUY:** TI has announced that the device will be discontinued, and a lifetime-buy period is in effect.

**NRND:** Not recommended for new designs. Device is in production to support existing customers, but TI does not recommend using this part in a new design.

**PREVIEW:** Device has been announced but is not in production. Samples may or may not be available.

**OBSELETE:** TI has discontinued the production of the device.

(2) Eco Plan - The planned eco-friendly classification: Pb-Free (RoHS), Pb-Free (RoHS Exempt), or Green (RoHS & no Sb/Br) - please check <http://www.ti.com/productcontent> for the latest availability information and additional product content details.

**TBD:** The Pb-Free/Green conversion plan has not been defined.

**Pb-Free (RoHS):** TI's terms "Lead-Free" or "Pb-Free" mean semiconductor products that are compatible with the current RoHS requirements for all 6 substances, including the requirement that lead not exceed 0.1% by weight in homogeneous materials. Where designed to be soldered at high temperatures, TI Pb-Free products are suitable for use in specified lead-free processes.

**Pb-Free (RoHS Exempt):** This component has a RoHS exemption for either 1) lead-based flip-chip solder bumps used between the die and package, or 2) lead-based die adhesive used between the die and leadframe. The component is otherwise considered Pb-Free (RoHS compatible) as defined above.

**Green (RoHS & no Sb/Br):** TI defines "Green" to mean Pb-Free (RoHS compatible), and free of Bromine (Br) and Antimony (Sb) based flame retardants (Br or Sb do not exceed 0.1% by weight in homogeneous material)

(3) MSL, Peak Temp. - The Moisture Sensitivity Level rating according to the JEDEC industry standard classifications, and peak solder temperature.



<sup>(4)</sup> There may be additional marking, which relates to the logo, the lot trace code information, or the environmental category on the device.

<sup>(5)</sup> Multiple Device Markings will be inside parentheses. Only one Device Marking contained in parentheses and separated by a "-" will appear on a device. If a line is indented then it is a continuation of the previous line and the two combined represent the entire Device Marking for that device.

<sup>(6)</sup> Lead/Ball Finish - Orderable Devices may have multiple material finish options. Finish options are separated by a vertical ruled line. Lead/Ball Finish values may wrap to two lines if the finish value exceeds the maximum column width.

**Important Information and Disclaimer:** The information provided on this page represents TI's knowledge and belief as of the date that it is provided. TI bases its knowledge and belief on information provided by third parties, and makes no representation or warranty as to the accuracy of such information. Efforts are underway to better integrate information from third parties. TI has taken and continues to take reasonable steps to provide representative and accurate information but may not have conducted destructive testing or chemical analysis on incoming materials and chemicals. TI and TI suppliers consider certain information to be proprietary, and thus CAS numbers and other limited information may not be available for release.

In no event shall TI's liability arising out of such information exceed the total purchase price of the TI part(s) at issue in this document sold by TI to Customer on an annual basis.

**OTHER QUALIFIED VERSIONS OF CD54HC123, CD54HCT123, CD74HC123, CD74HCT123 :**

● Catalog: [CD74HC123](#), [CD74HCT123](#)

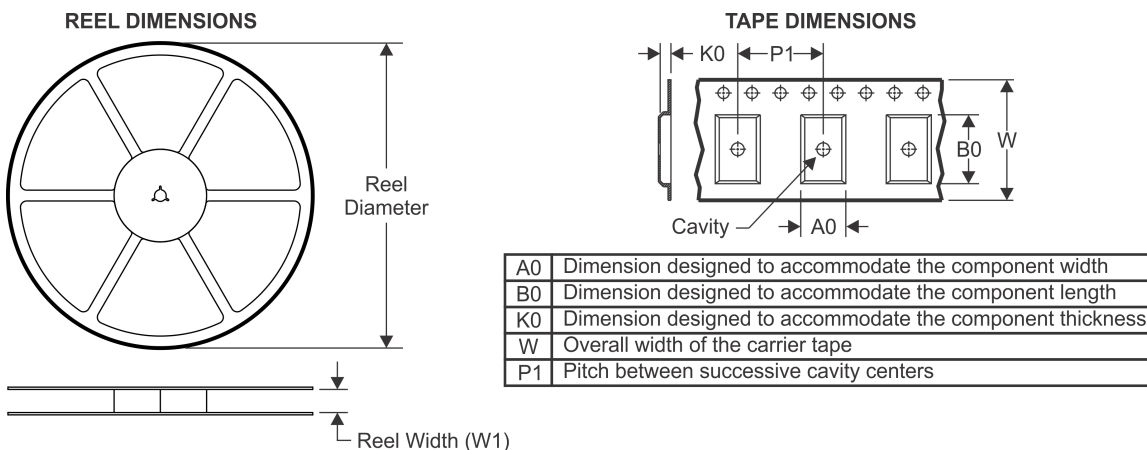
● Military: [CD54HC123](#), [CD54HCT123](#)

**NOTE: Qualified Version Definitions:**

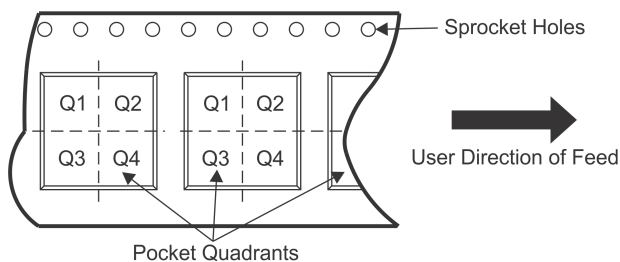
● Catalog - TI's standard catalog product

● Military - QML certified for Military and Defense Applications

**TAPE AND REEL INFORMATION**



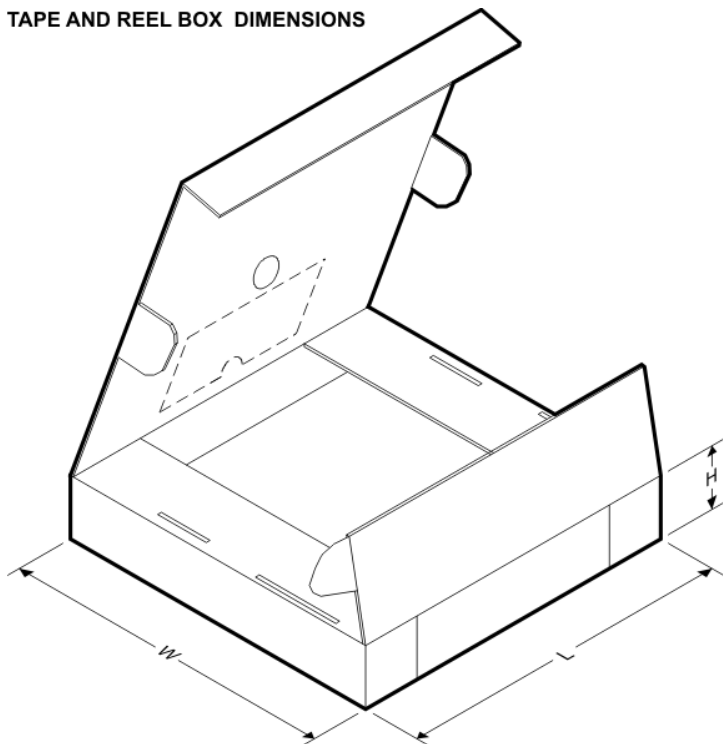
**QUADRANT ASSIGNMENTS FOR PIN 1 ORIENTATION IN TAPE**



\*All dimensions are nominal

| Device         | Package Type | Package Drawing | Pins | SPQ  | Reel Diameter (mm) | Reel Width W1 (mm) | A0 (mm) | B0 (mm) | K0 (mm) | P1 (mm) | W (mm) | Pin1 Quadrant |
|----------------|--------------|-----------------|------|------|--------------------|--------------------|---------|---------|---------|---------|--------|---------------|
| CD74HC123M96   | SOIC         | D               | 16   | 2500 | 330.0              | 16.8               | 6.5     | 10.3    | 2.1     | 8.0     | 16.0   | Q1            |
| CD74HC123M96   | SOIC         | D               | 16   | 2500 | 330.0              | 16.4               | 6.5     | 10.3    | 2.1     | 8.0     | 16.0   | Q1            |
| CD74HC123M96G4 | SOIC         | D               | 16   | 2500 | 330.0              | 16.4               | 6.5     | 10.3    | 2.1     | 8.0     | 16.0   | Q1            |
| CD74HC123NSR   | SO           | NS              | 16   | 2000 | 330.0              | 16.4               | 8.2     | 10.5    | 2.5     | 12.0    | 16.0   | Q1            |
| CD74HC123PWR   | TSSOP        | PW              | 16   | 2000 | 330.0              | 12.4               | 6.9     | 5.6     | 1.6     | 8.0     | 12.0   | Q1            |
| CD74HC123PWR   | TSSOP        | PW              | 16   | 2000 | 330.0              | 12.4               | 6.9     | 5.6     | 1.6     | 8.0     | 12.0   | Q1            |
| CD74HC123PWRG4 | TSSOP        | PW              | 16   | 2000 | 330.0              | 12.4               | 6.9     | 5.6     | 1.6     | 8.0     | 12.0   | Q1            |
| CD74HC123PWT   | TSSOP        | PW              | 16   | 250  | 330.0              | 12.4               | 6.9     | 5.6     | 1.6     | 8.0     | 12.0   | Q1            |
| CD74HC423M96   | SOIC         | D               | 16   | 2500 | 330.0              | 16.4               | 6.5     | 10.3    | 2.1     | 8.0     | 16.0   | Q1            |
| CD74HCT123M96  | SOIC         | D               | 16   | 2500 | 330.0              | 16.4               | 6.5     | 10.3    | 2.1     | 8.0     | 16.0   | Q1            |
| CD74HCT423M96  | SOIC         | D               | 16   | 2500 | 330.0              | 16.4               | 6.5     | 10.3    | 2.1     | 8.0     | 16.0   | Q1            |

**TAPE AND REEL BOX DIMENSIONS**



\*All dimensions are nominal

| Device         | Package Type | Package Drawing | Pins | SPQ  | Length (mm) | Width (mm) | Height (mm) |
|----------------|--------------|-----------------|------|------|-------------|------------|-------------|
| CD74HC123M96   | SOIC         | D               | 16   | 2500 | 364.0       | 364.0      | 27.0        |
| CD74HC123M96   | SOIC         | D               | 16   | 2500 | 333.2       | 345.9      | 28.6        |
| CD74HC123M96G4 | SOIC         | D               | 16   | 2500 | 333.2       | 345.9      | 28.6        |
| CD74HC123NSR   | SO           | NS              | 16   | 2000 | 367.0       | 367.0      | 38.0        |
| CD74HC123PWR   | TSSOP        | PW              | 16   | 2000 | 364.0       | 364.0      | 27.0        |
| CD74HC123PWR   | TSSOP        | PW              | 16   | 2000 | 367.0       | 367.0      | 35.0        |
| CD74HC123PWRG4 | TSSOP        | PW              | 16   | 2000 | 367.0       | 367.0      | 35.0        |
| CD74HC123PWT   | TSSOP        | PW              | 16   | 250  | 367.0       | 367.0      | 35.0        |
| CD74HC423M96   | SOIC         | D               | 16   | 2500 | 333.2       | 345.9      | 28.6        |
| CD74HCT123M96  | SOIC         | D               | 16   | 2500 | 333.2       | 345.9      | 28.6        |
| CD74HCT423M96  | SOIC         | D               | 16   | 2500 | 333.2       | 345.9      | 28.6        |



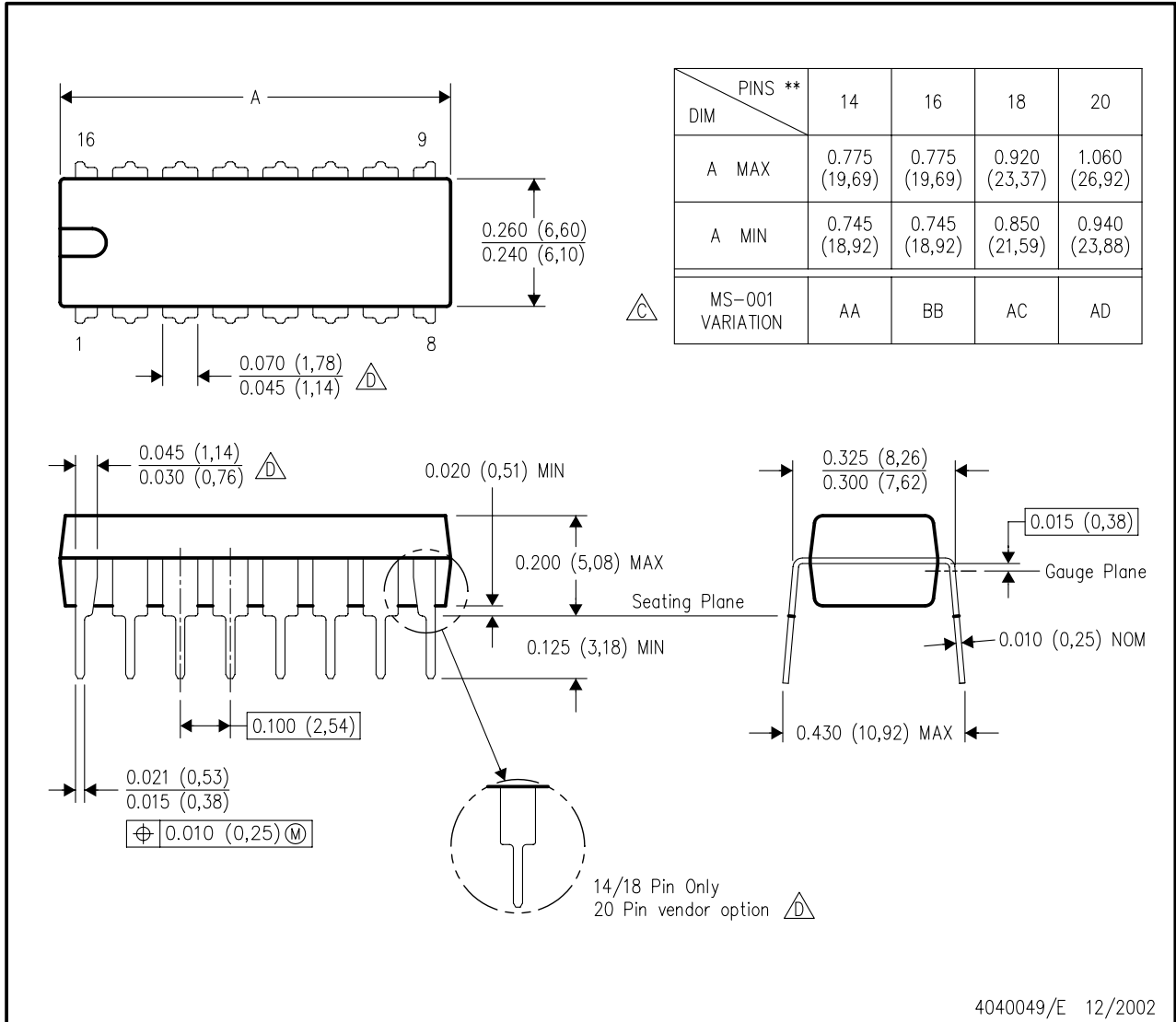


**MECHANICAL DATA**

**N (R-PDIP-T\*\*)**

16 PINS SHOWN

**PLASTIC DUAL-IN-LINE PACKAGE**



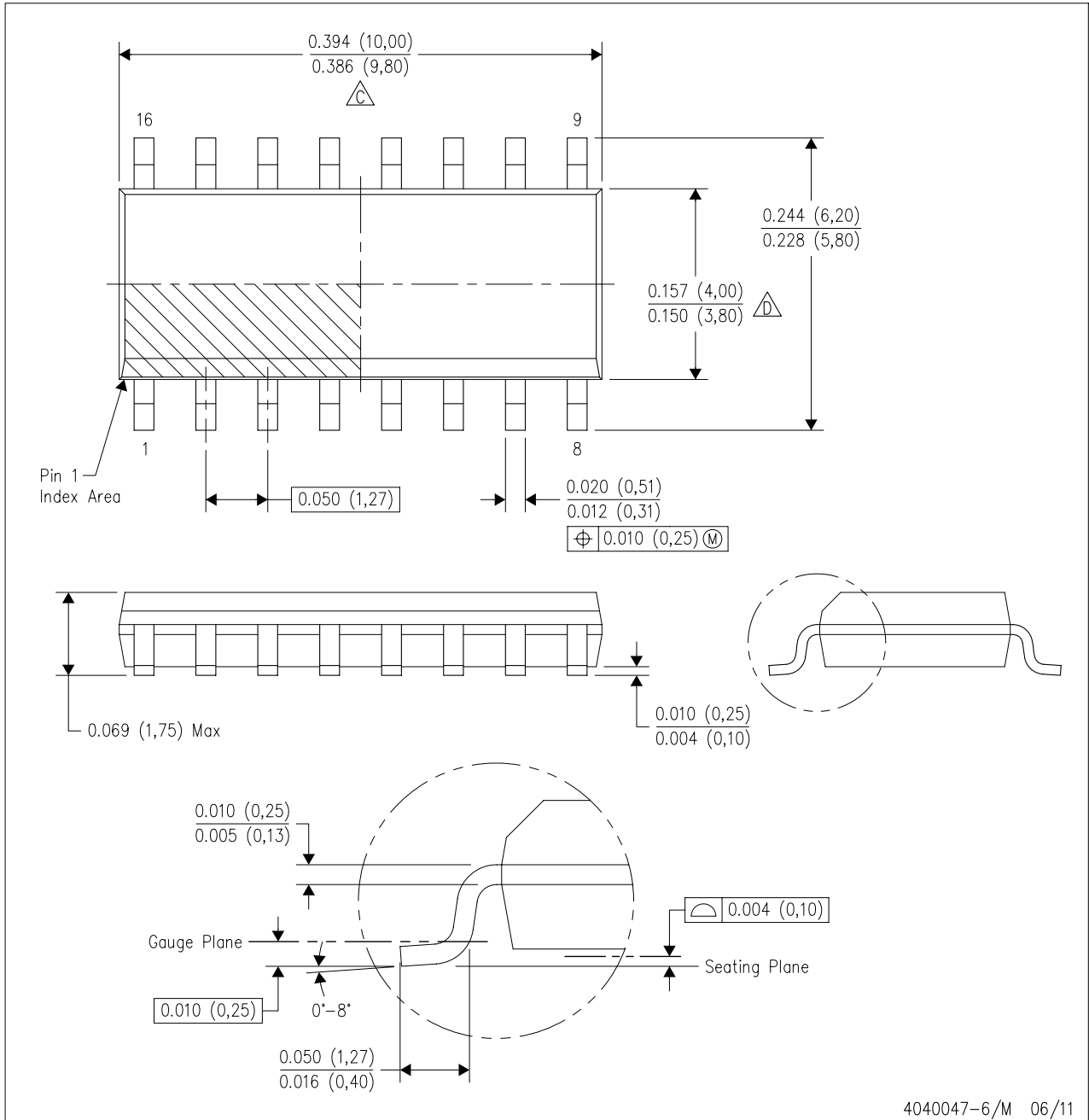
4040049/E 12/2002

- NOTES:
- A. All linear dimensions are in inches (millimeters).
  - B. This drawing is subject to change without notice.
  - Falls within JEDEC MS-001, except 18 and 20 pin minimum body length (Dim A).
  - The 20 pin end lead shoulder width is a vendor option, either half or full width.

**MECHANICAL DATA**

D (R-PDSO-G16)

PLASTIC SMALL OUTLINE

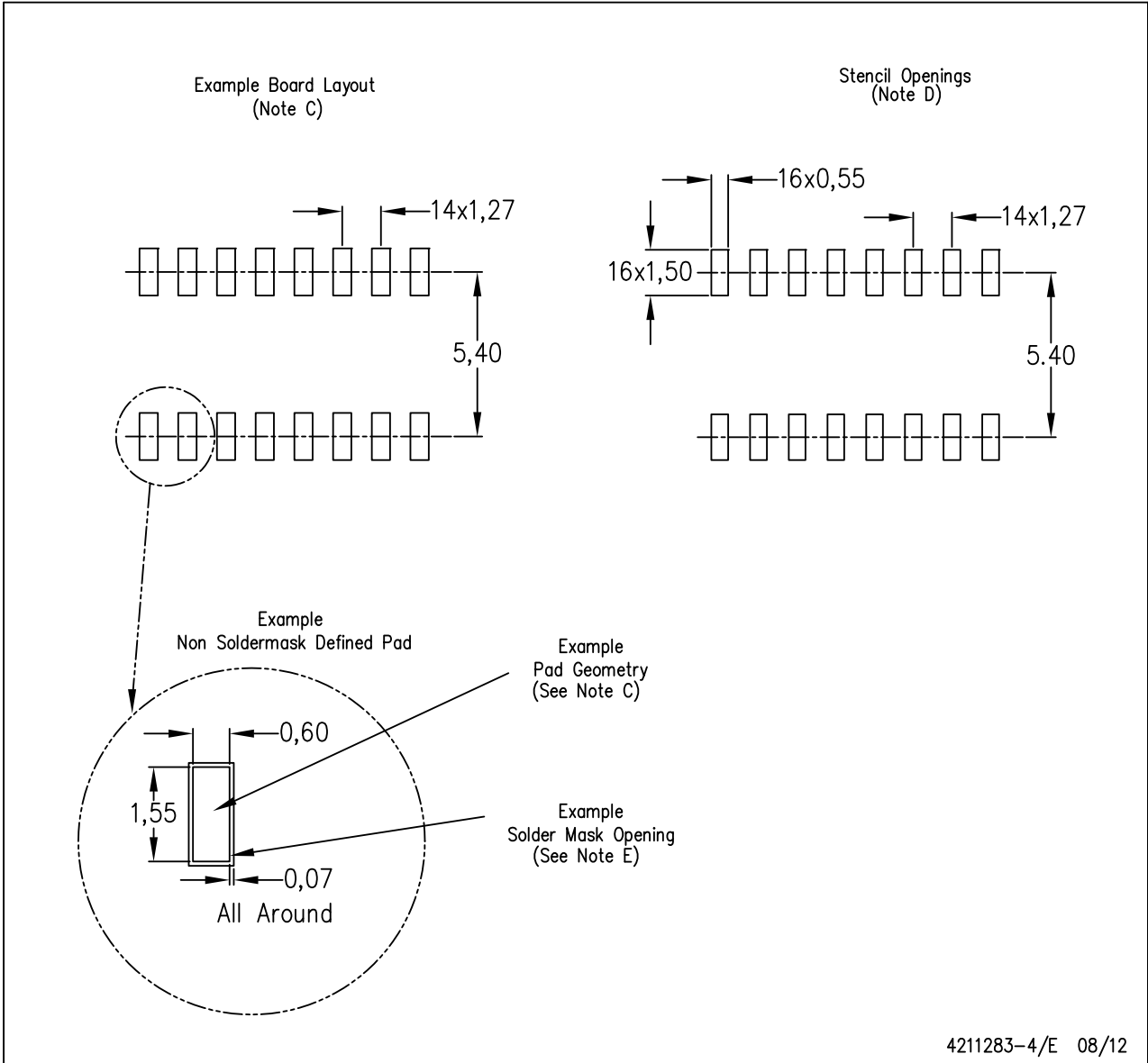


- NOTES:
- A. All linear dimensions are in inches (millimeters).
  - B. This drawing is subject to change without notice.
  - C. Body length does not include mold flash, protrusions, or gate burrs. Mold flash, protrusions, or gate burrs shall not exceed 0.006 (0,15) each side.
  - D. Body width does not include interlead flash. Interlead flash shall not exceed 0.017 (0,43) each side.
  - E. Reference JEDEC MS-012 variation AC.

**LAND PATTERN DATA**

D (R-PDSO-G16)

PLASTIC SMALL OUTLINE

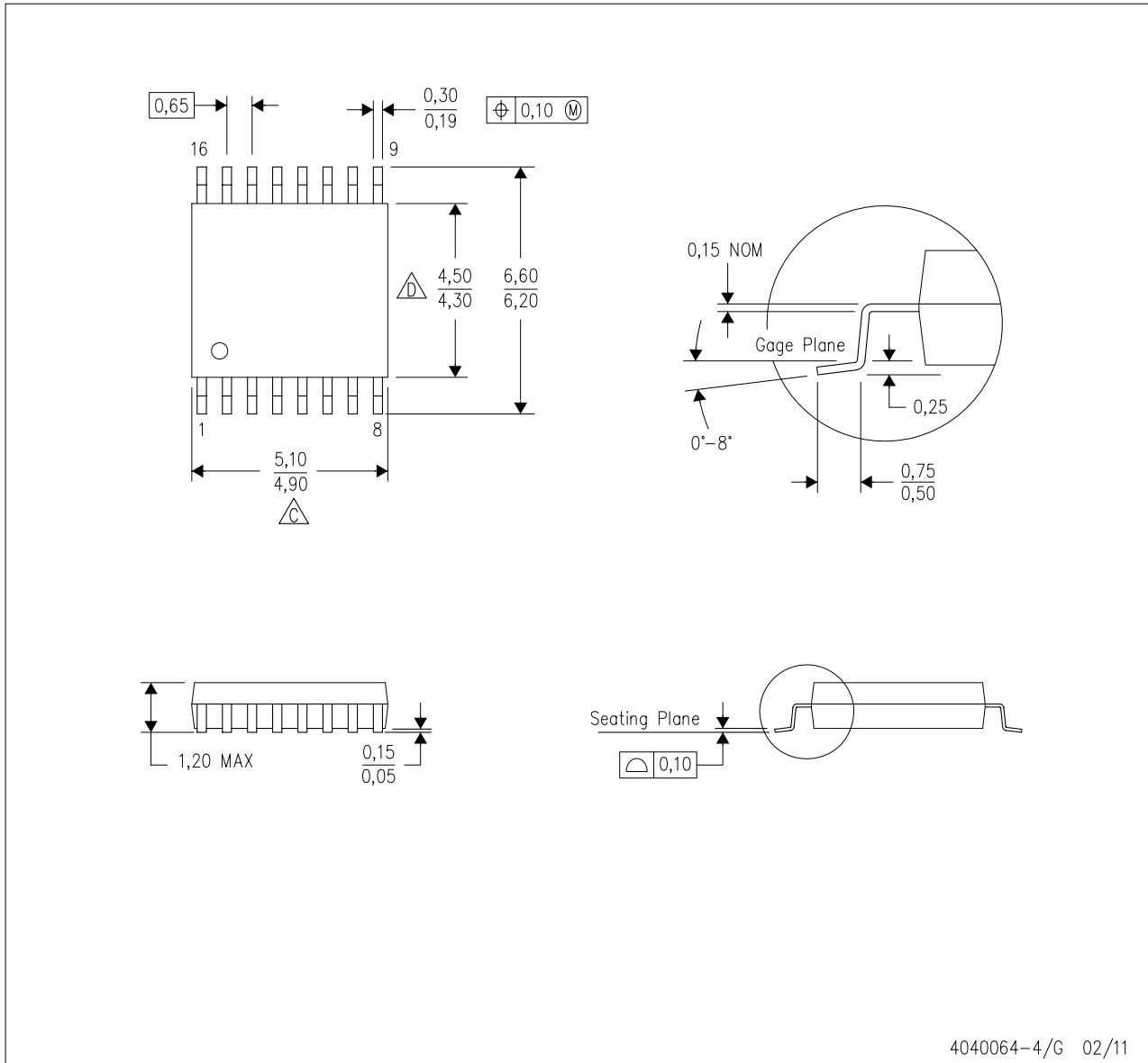




- NOTES:
- All linear dimensions are in millimeters.
  - This drawing is subject to change without notice.
  - Publication IPC-7351 is recommended for alternate designs.
  - Laser cutting apertures with trapezoidal walls and also rounding corners will offer better paste release. Customers should contact their board assembly site for stencil design recommendations. Refer to IPC-7525 for other stencil recommendations.
  - Customers should contact their board fabrication site for solder mask tolerances between and around signal pads.

**MECHANICAL DATA**

PW (R-PDSO-G16)

PLASTIC SMALL OUTLINE

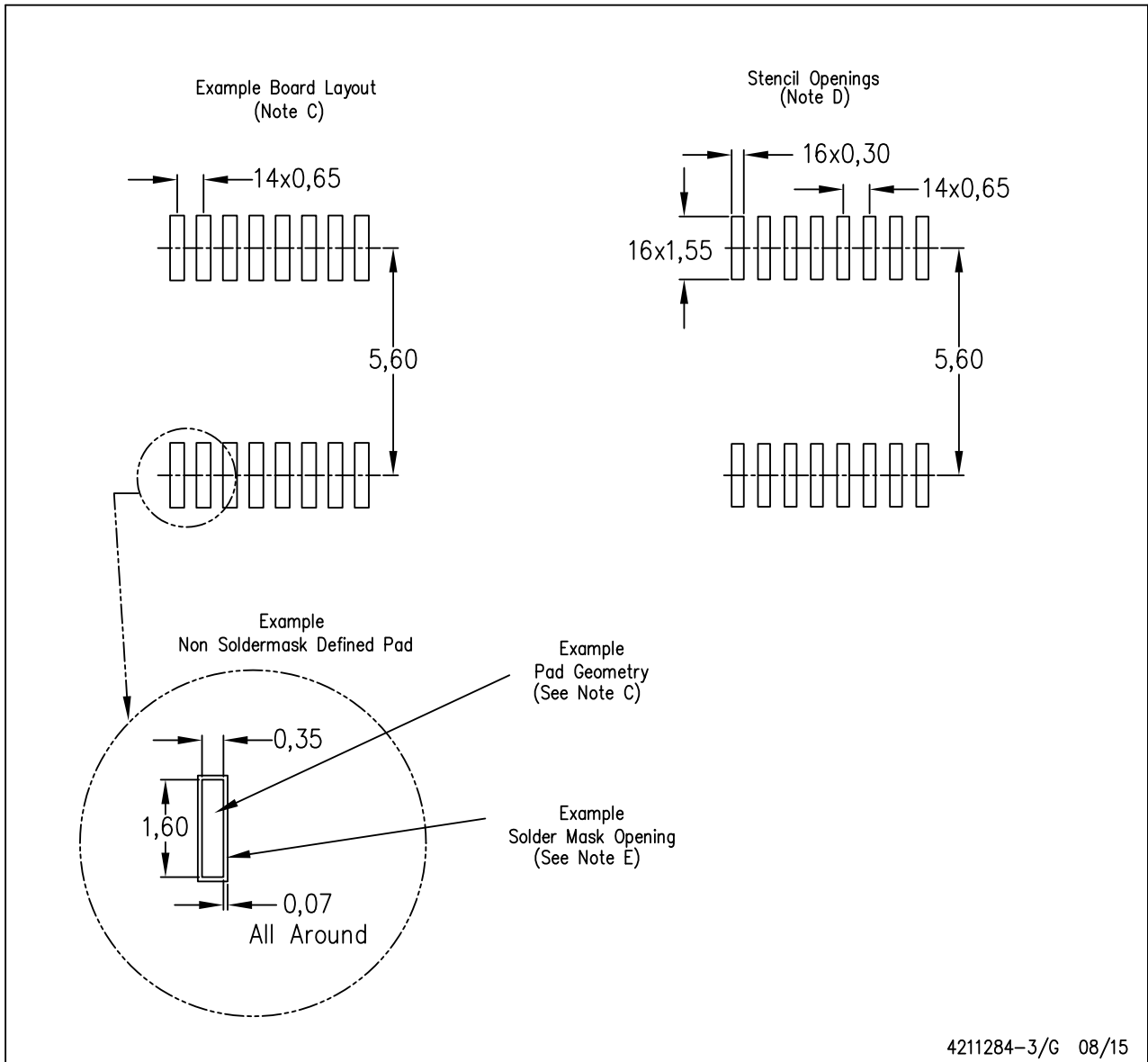


- NOTES:
- A. All linear dimensions are in millimeters. Dimensioning and tolerancing per ASME Y14.5M-1994.
  - B. This drawing is subject to change without notice.
  -  Body length does not include mold flash, protrusions, or gate burrs. Mold flash, protrusions, or gate burrs shall not exceed 0,15 each side.
  -  Body width does not include interlead flash. Interlead flash shall not exceed 0,25 each side.
  - E. Falls within JEDEC MO-153

**LAND PATTERN DATA**

PW (R-PDSO-G16)

PLASTIC SMALL OUTLINE



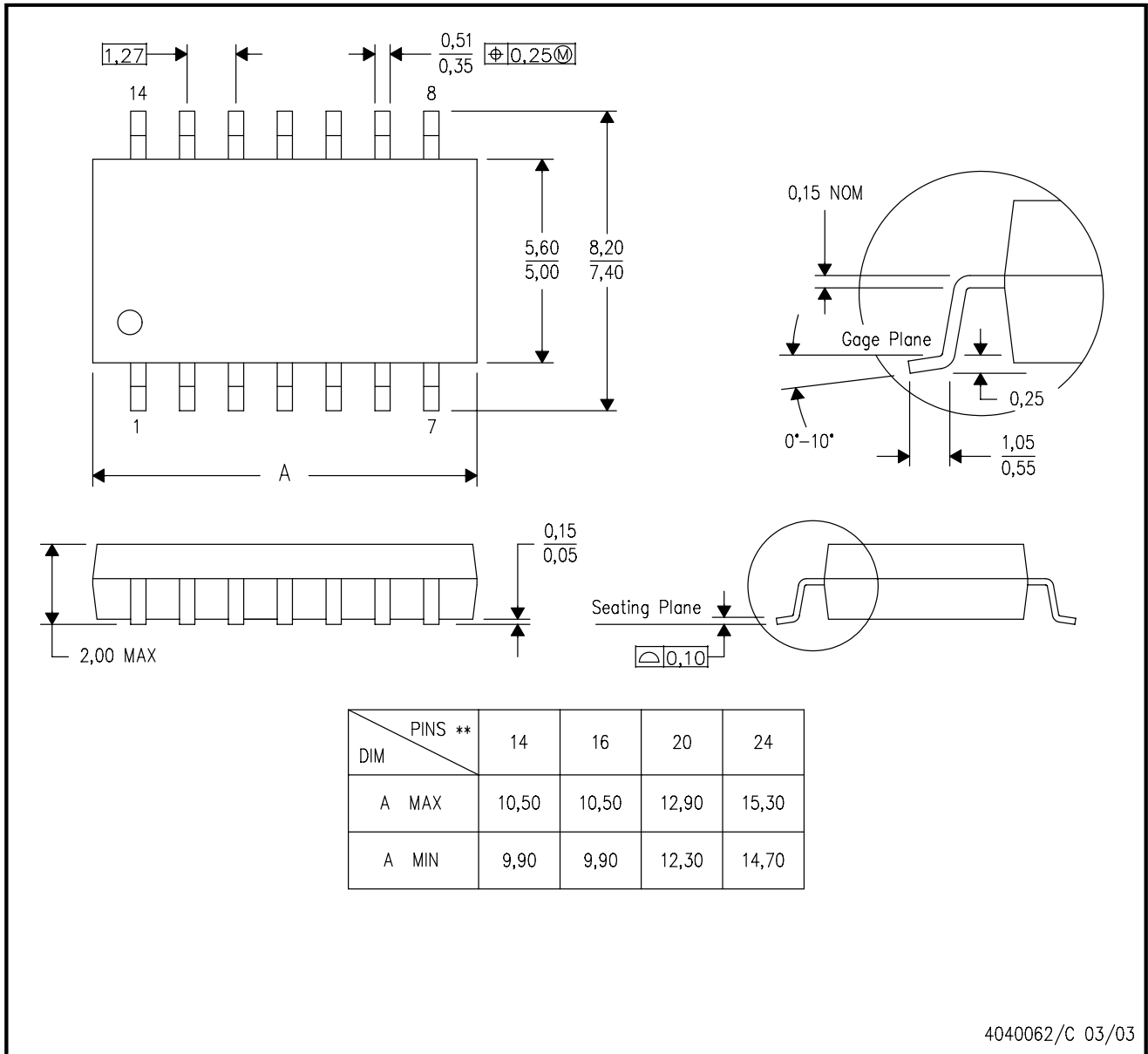
- NOTES:
- All linear dimensions are in millimeters.
  - This drawing is subject to change without notice.
  - Publication IPC-7351 is recommended for alternate designs.
  - Laser cutting apertures with trapezoidal walls and also rounding corners will offer better paste release. Customers should contact their board assembly site for stencil design recommendations. Refer to IPC-7525 for other stencil recommendations.
  - Customers should contact their board fabrication site for solder mask tolerances between and around signal pads.

**MECHANICAL DATA**

**NS (R-PDSO-G\*\*)**

**PLASTIC SMALL-OUTLINE PACKAGE**

**14-PINS SHOWN**



- NOTES:
- A. All linear dimensions are in millimeters.
  - B. This drawing is subject to change without notice.
  - C. Body dimensions do not include mold flash or protrusion, not to exceed 0,15.

### IMPORTANT NOTICE

Texas Instruments Incorporated and its subsidiaries (TI) reserve the right to make corrections, enhancements, improvements and other changes to its semiconductor products and services per JESD46, latest issue, and to discontinue any product or service per JESD48, latest issue. Buyers should obtain the latest relevant information before placing orders and should verify that such information is current and complete. All semiconductor products (also referred to herein as “components”) are sold subject to TI’s terms and conditions of sale supplied at the time of order acknowledgment.

TI warrants performance of its components to the specifications applicable at the time of sale, in accordance with the warranty in TI’s terms and conditions of sale of semiconductor products. Testing and other quality control techniques are used to the extent TI deems necessary to support this warranty. Except where mandated by applicable law, testing of all parameters of each component is not necessarily performed.

TI assumes no liability for applications assistance or the design of Buyers’ products. Buyers are responsible for their products and applications using TI components. To minimize the risks associated with Buyers’ products and applications, Buyers should provide adequate design and operating safeguards.

TI does not warrant or represent that any license, either express or implied, is granted under any patent right, copyright, mask work right, or other intellectual property right relating to any combination, machine, or process in which TI components or services are used. Information published by TI regarding third-party products or services does not constitute a license to use such products or services or a warranty or endorsement thereof. Use of such information may require a license from a third party under the patents or other intellectual property of the third party, or a license from TI under the patents or other intellectual property of TI.

Reproduction of significant portions of TI information in TI data books or data sheets is permissible only if reproduction is without alteration and is accompanied by all associated warranties, conditions, limitations, and notices. TI is not responsible or liable for such altered documentation. Information of third parties may be subject to additional restrictions.

Resale of TI components or services with statements different from or beyond the parameters stated by TI for that component or service voids all express and any implied warranties for the associated TI component or service and is an unfair and deceptive business practice. TI is not responsible or liable for any such statements.

Buyer acknowledges and agrees that it is solely responsible for compliance with all legal, regulatory and safety-related requirements concerning its products, and any use of TI components in its applications, notwithstanding any applications-related information or support that may be provided by TI. Buyer represents and agrees that it has all the necessary expertise to create and implement safeguards which anticipate dangerous consequences of failures, monitor failures and their consequences, lessen the likelihood of failures that might cause harm and take appropriate remedial actions. Buyer will fully indemnify TI and its representatives against any damages arising out of the use of any TI components in safety-critical applications.

In some cases, TI components may be promoted specifically to facilitate safety-related applications. With such components, TI’s goal is to help enable customers to design and create their own end-product solutions that meet applicable functional safety standards and requirements. Nonetheless, such components are subject to these terms.

No TI components are authorized for use in FDA Class III (or similar life-critical medical equipment) unless authorized officers of the parties have executed a special agreement specifically governing such use.

Only those TI components which TI has specifically designated as military grade or “enhanced plastic” are designed and intended for use in military/aerospace applications or environments. Buyer acknowledges and agrees that any military or aerospace use of TI components which have **not** been so designated is solely at the Buyer’s risk, and that Buyer is solely responsible for compliance with all legal and regulatory requirements in connection with such use.

TI has specifically designated certain components as meeting ISO/TS16949 requirements, mainly for automotive use. In any case of use of non-designated products, TI will not be responsible for any failure to meet ISO/TS16949.

#### Products

|                              |                                                                                      |
|------------------------------|--------------------------------------------------------------------------------------|
| Audio                        | <a href="http://www.ti.com/audio">www.ti.com/audio</a>                               |
| Amplifiers                   | <a href="http://amplifier.ti.com">amplifier.ti.com</a>                               |
| Data Converters              | <a href="http://dataconverter.ti.com">dataconverter.ti.com</a>                       |
| DLP® Products                | <a href="http://www.dlp.com">www.dlp.com</a>                                         |
| DSP                          | <a href="http://dsp.ti.com">dsp.ti.com</a>                                           |
| Clocks and Timers            | <a href="http://www.ti.com/clocks">www.ti.com/clocks</a>                             |
| Interface                    | <a href="http://interface.ti.com">interface.ti.com</a>                               |
| Logic                        | <a href="http://logic.ti.com">logic.ti.com</a>                                       |
| Power Mgmt                   | <a href="http://power.ti.com">power.ti.com</a>                                       |
| Microcontrollers             | <a href="http://microcontroller.ti.com">microcontroller.ti.com</a>                   |
| RFID                         | <a href="http://www.ti-rfid.com">www.ti-rfid.com</a>                                 |
| OMAP Applications Processors | <a href="http://www.ti.com/omap">www.ti.com/omap</a>                                 |
| Wireless Connectivity        | <a href="http://www.ti.com/wirelessconnectivity">www.ti.com/wirelessconnectivity</a> |

#### Applications

|                               |                                                                                          |
|-------------------------------|------------------------------------------------------------------------------------------|
| Automotive and Transportation | <a href="http://www.ti.com/automotive">www.ti.com/automotive</a>                         |
| Communications and Telecom    | <a href="http://www.ti.com/communications">www.ti.com/communications</a>                 |
| Computers and Peripherals     | <a href="http://www.ti.com/computers">www.ti.com/computers</a>                           |
| Consumer Electronics          | <a href="http://www.ti.com/consumer-apps">www.ti.com/consumer-apps</a>                   |
| Energy and Lighting           | <a href="http://www.ti.com/energy">www.ti.com/energy</a>                                 |
| Industrial                    | <a href="http://www.ti.com/industrial">www.ti.com/industrial</a>                         |
| Medical                       | <a href="http://www.ti.com/medical">www.ti.com/medical</a>                               |
| Security                      | <a href="http://www.ti.com/security">www.ti.com/security</a>                             |
| Space, Avionics and Defense   | <a href="http://www.ti.com/space-avionics-defense">www.ti.com/space-avionics-defense</a> |
| Video and Imaging             | <a href="http://www.ti.com/video">www.ti.com/video</a>                                   |

#### TI E2E Community

[e2e.ti.com](http://e2e.ti.com)