

Excellent Integrated System Limited

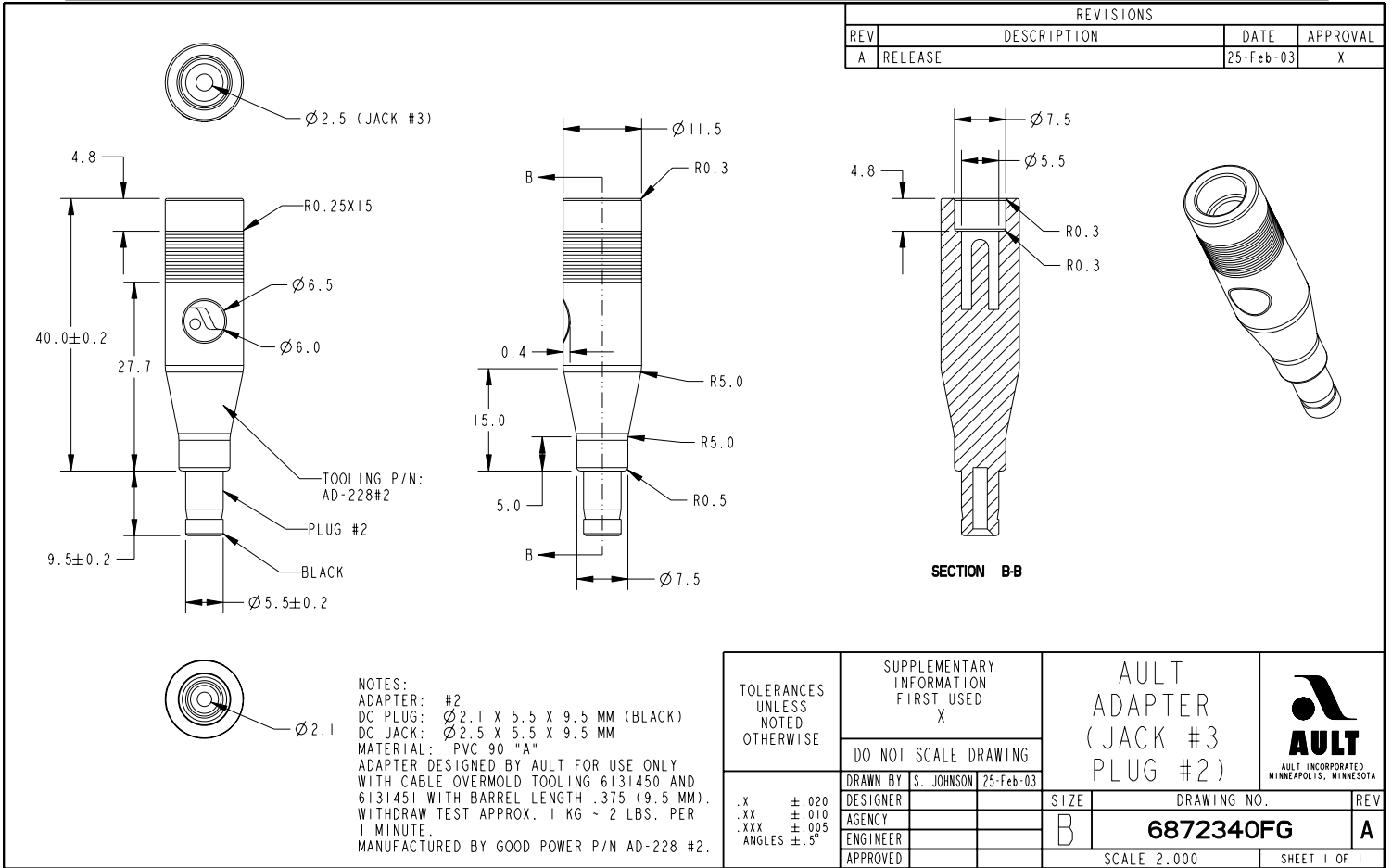
Stocking Distributor

Click to view price, real time Inventory, Delivery & Lifecycle Information:

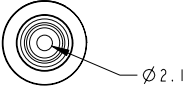
[SL Power Electronics - Manufacturer of Condor/Ault Brands
6872340FG](#)

For any questions, you can email us directly:


sales@integrated-circuit.com



REVISIONS			
REV	DESCRIPTION	DATE	APPROVAL
A	RELEASE	25-Feb-03	X



NOTES:
 ADAPTER: #2
 DC PLUG: Ø2.1 X 5.5 X 9.5 MM (BLACK)
 DC JACK: Ø2.5 X 5.5 X 9.5 MM
 MATERIAL: PVC 90 "A"
 ADAPTER DESIGNED BY AULT FOR USE ONLY
 WITH CABLE OVERMOLD TOOLING 6131450 AND
 6131451 WITH BARREL LENGTH .375 (9.5 MM).
 WITHDRAW TEST APPROX. 1 KG ~ 2 LBS. PER
 1 MINUTE.
 MANUFACTURED BY GOOD POWER P/N AD-228 #2.

TOLERANCES UNLESS NOTED OTHERWISE	SUPPLEMENTARY INFORMATION FIRST USED X	AULT ADAPTER (JACK #3 PLUG #2)		 AULT INCORPORATED MINNEAPOLIS, MINNESOTA
	DO NOT SCALE DRAWING	DRAWN BY: S. JOHNSON	25-Feb-03	
.X ±.020 .XX ±.010 .XXX ±.005 ANGLES ±.5°	DESIGNER	AGENCY	ENGINEER	APPROVED
	SIZE: B	DRAWING NO. 6872340FG		REV: A
SCALE 2.000				SHEET 1 OF 1