

## Excellent Integrated System Limited

Stocking Distributor

Click to view price, real time Inventory, Delivery & Lifecycle Information:

[TDK Corporation](#)  
[SL2125-102K1R3-PF](#)

For any questions, you can email us directly:

[sales@integrated-circuit.com](mailto:sales@integrated-circuit.com)

# Radial Lead Inductors(Coils) For Power Line

Conformity to RoHS Directive

## SL Series SL2125

### FEATURES

- This is a low Rdc, best for the power supply line.
- There is a series of many types from low inductance to high inductance in large current.
- It is a product conforming to RoHS directive.

### APPLICATIONS

Televisions, CRT displays, printers, and various types of electronic products.

### SPECIFICATIONS

Operating temperature range	-40 to +85°C [Including self-temperature rise]
Storage temperature range	-40 to +85°C [Unit of products]
Terminal strength	9.8N min.
Flow soldering condition	260°C /10 seconds

### PRODUCT IDENTIFICATION

SL	2125	-	102	K	1R3	-	PF
(1)	(2)	(3)	(4)	(5)	(6)		

(1)Series name

(2)Dimensions

Type	Dimension	Lead pitch
2125	ø20.8×25.5mm	10mm

(3)Inductance value

102	1000μH
103	10000μH

(4)Inductance tolerance

K	±10%
---	------

(5)Rated current

1R3	1.3A
R41	0.41A

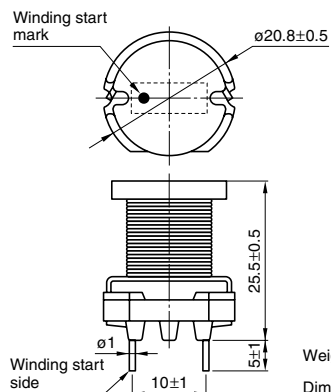
(6)Lead-free compatible product

PF	Lead-free compatible product
----	------------------------------

### PACKAGING STYLE AND QUANTITIES

Packaging style	Quantity
Bulk	100 pieces/tray

**SHAPES AND DIMENSIONS**



Weight: 24g typ.  
Dimensions in mm

**ELECTRICAL CHARACTERISTICS**

Inductance (μH)	Inductance tolerance	Test frequency L (kHz)	DC resistance (Ω)max.	Rated current(A)* max.		Part No.
				Based on inductance change	Based on temperature rise	
1000	±10%	1	0.35	1.7	1.3	SL2125-102K1R3-PF
1500	±10%	1	0.61	1.3	0.99	SL2125-152KR99-PF
2200	±10%	1	0.78	1.1	0.87	SL2125-222KR87-PF
3300	±10%	1	1.15	0.95	0.72	SL2125-332KR72-PF
4700	±10%	1	1.71	0.78	0.59	SL2125-472KR59-PF
6800	±10%	1	2.61	0.66	0.47	SL2125-682KR47-PF
10000	±10%	1	3.41	0.55	0.41	SL2125-103KR41-PF

\* Rated current: Value obtained when current flows and self-temperature has risen to 25°C.

- Test equipment Inductance: LCR METER YHP4261A, or equivalent  
 Rdc: MILLIOHM METER VP-2941A MATSUSHITA, or equivalent

**TYPICAL ELECTRICAL CHARACTERISTICS**  
**INDUCTANCE CHANGE vs. DC SUPERPOSITION**  
**CHARACTERISTICS**

