

Excellent Integrated System Limited

Stocking Distributor

Click to view price, real time Inventory, Delivery & Lifecycle Information:

[Crystek Corporation](#)
[CRBV55CL-0412-0423](#)

For any questions, you can email us directly:

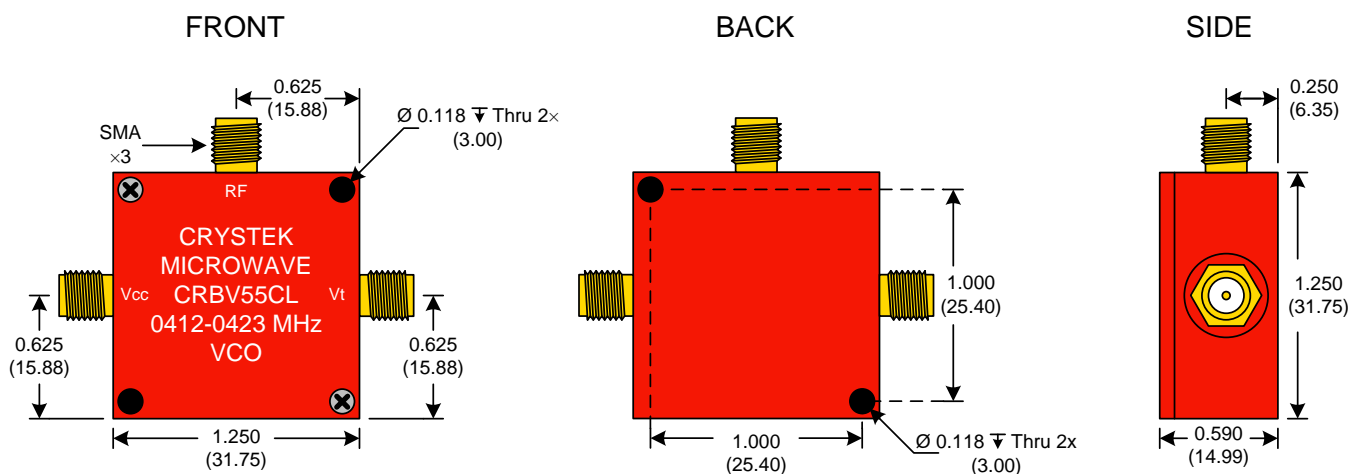
sales@integrated-circuit.com



RedBox VCO
 CRBV55CL-0412-0423



PERFORMANCE SPECIFICATION	MIN	TYP	MAX	UNITS
Lower Frequency:			412	MHz
Upper Frequency:	423			MHz
Tuning Voltage:	1.5		3.5	VDC
Supply Voltage:	4.75	5.0	5.25	VDC
Output Power:	0	+3.0	+6.0	dBm
Supply Current:		15		mA
Harmonic Suppression (2 nd Harmonic)		-12		dBc
Pushing:		0.5	2.0	MHz/V
Pulling, all Phases:		1.0	2.0	MHz pk-pk
Tuning Sensitivity:		6		MHz/V
Phase Noise @ 10kHz offset:		-109		dBc/Hz
Phase Noise @ 100kHz offset:		-132		dBc/Hz
Load Impedance:		50		Ω
Input Capacitance:			47	pF
Operating Temperature Range:	-40		+85	°C
Storage Temperature Range:	-45		+90	°C



● Unless otherwise specified, Dimensions are in: $\frac{IN}{(mm)}$

Product Control:

Crystek Part Number:	CRBV55CL-0412-0423	Release Date:	13-Jan-10
Revision Level:	B	Responsible:	C. Vales