

Excellent Integrated System Limited

Stocking Distributor

Click to view price, real time Inventory, Delivery & Lifecycle Information:

[TE Connectivity AMP Connectors](#)
[207952-1](#)

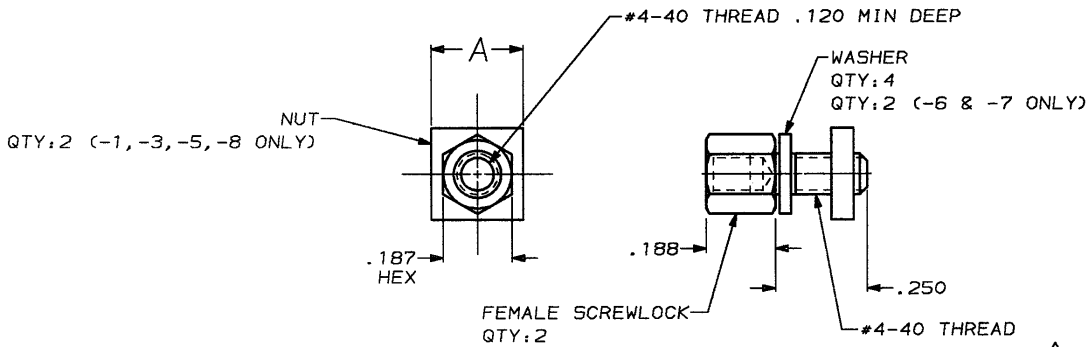
For any questions, you can email us directly:

sales@integrated-circuit.com

DRAWING MADE IN THIRD ANGLE PROJECTION

THIS DRAWING IS UNPUBLISHED. RELEASED FOR PUBLICATION .19
 © COPYRIGHT 19 BY AMP INCORPORATED. ALL INTERNATIONAL RIGHTS RESERVED.

MOD	LOC	DIST	P	F	ZONE	LTR	REVISIONS	DATE	APPD
8	BD	39				C	REDRAWN ON CAD	4-12-90	-



OBsolete	5	.250	1	207952-8
OBsolete	5	-	1	207952-7
OBsolete	4	-	1	207952-6
OBsolete	5	.250	1	207952-5
OBsolete	4	.350	2	207952-4
OBsolete	4	.250	2	207952-3
OBsolete	4	.350	1	207952-2
OBsolete	4	.250	1	207952-1
PACKAGING	A	FINISH	PART NUMBER	

- 1 ZINC PLATED PER ASTM B633, TYPE II, CLASS SCI, YELLOW CHROMATE.
- 2 ZINC PLATED PER ASTM B633, TYPE III, CLASS SCI, CLEAR CHROMATE.
- 3. PARTS PACKAGED UNASSEMBLED.
- 4 PARTS PACKAGED AS A UNIT KIT.
- 5 PARTS INDIVIDUALLY BULK PACKED & SHIPPED AS A UNIT PACKAGE.

DO NOT SCALE PRINT. UNLESS SPECIFIED DIMENSIONS IN INCHES TOLERANCES ON: 2 PLG DEC ± .005 ANGLES * -		DR 4-12-90 J. MULLICI JR	AMP INCORPORATED Harrisburg, Pa. 17105	
MATERIAL STEEL PER ASTM A108		CHK 4/15/90 [Signature]	NAME SCREWLOCK KIT, FEMALE, SHORT, AMPLIMITE™ HDP-20	
FINISH SEE TABLE		APPR [Signature]	SIZE B	FSCH NO 00779
		PRODUCT SPEC 7-16-10	DRAWING NO 207952	
		APPLICATION SPEC	SCALE 4:1	SHEET 1 OF 1
		WEIGHT		