

Excellent Integrated System Limited

Stocking Distributor

Click to view price, real time Inventory, Delivery & Lifecycle Information:

[TE Connectivity AMP Connectors](#)
[205980-1](#)

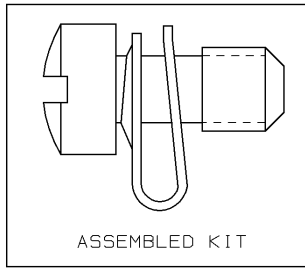
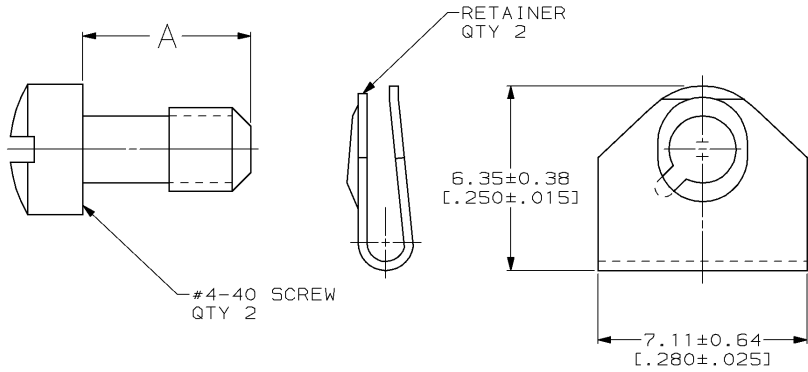
For any questions, you can email us directly:

sales@integrated-circuit.com

DRAWING MADE IN THIRD ANGLE PROJECTION

THIS DRAWING IS UNPUBLISHED. RELEASED FOR PUBLICATION ,19 .
 © COPYRIGHT 19 BY AMP INCORPORATED. ALL INTERNATIONAL RIGHTS RESERVED.

LOC	DIST	P	F	ZONE	LTR	REVISIONS	DATE	APPD
BD	48			L		REDRAWN & REV PER ECN BD3729	3-8-90	-
				M		REV PER ECN BD4276	12/16/90	-
				M1		ADDED -6 PER NPR 4839	07/07/93	NB
				N		OBS -6 PER EC 0420-141-96	17 SEP 97	SB



ASSEMBLED KIT

1. PARTS PACKAGED UNASSEMBLED.
2. STAINLESS STEEL PER ASTM A666.
3. PACKAGING MARKED WITH AMP, PART NO & DATE CODE.
4. 3.81 μm [.000150] MIN ZINC PLATED PER ASTM B633, TYPE II, CLASS SC1, YELLOW CHROMATE.
5. 3.81 μm [.000150] MIN ZINC PLATED PER ASTM B633, TYPE III, CLASS SC1, CLEAR CHROMATE.
6. PARTS INDIVIDUALLY BULK PACKED AND SHIPPED AS A UNIT PACKAGE.
7. PARTS PACKAGED AS A UNIT KIT.
8. SMALL PACK PACKAGING.

OBSOLETE	△	△	△	5.59±0.25 [.220±.010]	205980-6
	△	△	△	5.59±0.25 [.220±.010]	205980-5
	△	△	△	5.59±0.25 [.220±.010]	205980-4
OBSOLETE	△	△	△	5.59±0.25 [.220±.010]	205980-3
	△	△	△	4.78±0.38 [.188±.015]	205980-2
	△	△	△	5.59±0.25 [.220±.010]	205980-1
	MARKING	PACKAGING	SCREW FINISH	A	PART NO

-PART NO-

DO NOT SCALE PRINT. UNLESS SPECIFIED DIMENSIONS IN mm [INCHES] TOLERANCES ON: 2 PLC DEC ± 0.13 (.005) 3 PLC DEC ± - ANGLES ± -	DR 3/8/90 S. MOYER	AMP INCORPORATED Harrisburg, Pa. 17105
MATERIAL SCREWS: CARBON STEEL RETAINERS: △	CHK 3-8-90 M.G. LENKER	
FINISH SCREWS: SEE TABLE	APPD 3-23-90 B. TAYLOR	NAME KIT, SCREW RETAINER
	APPD 3-23-90 J. ASSINI	SIZE B
	PRODUCT SPEC -	CAGE CODE 00779
	APPLICATION SPEC -	DRAWING NO 205980
	WEIGHT -	SCALE 8:1
		SHEET 1 OF 1

METRIC