

## Excellent Integrated System Limited

Stocking Distributor

Click to view price, real time Inventory, Delivery & Lifecycle Information:

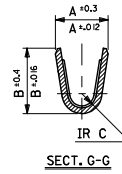
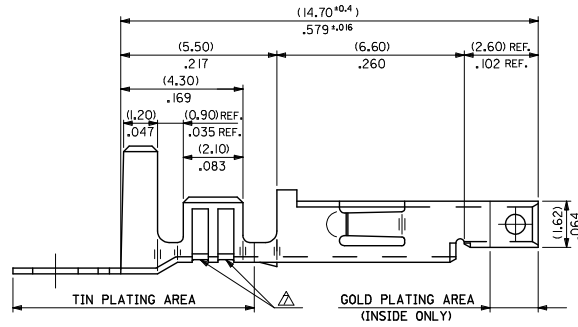
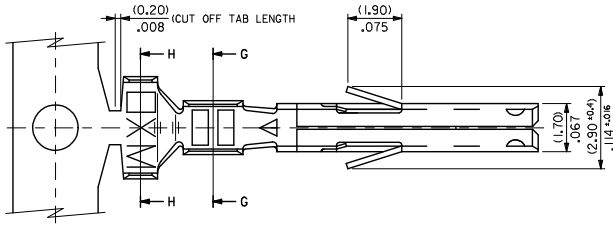
[Molex Connector Corporation](#)  
[0039000428](#)

For any questions, you can email us directly:

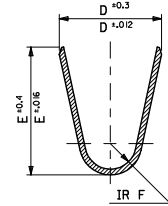
[sales@integrated-circuit.com](mailto:sales@integrated-circuit.com)

NOTES

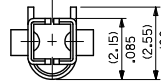
1. MATERIAL: SEE CHART.
2. FINISH: SEE CHART.
3. PRODUCT SPECIFICATION: PS-5556-001, PS-5556-002, PS-5556-003.
4. PACKAGING SPECIFICATION: PK-5556-001 FOR CHAIN TERMINALS.  
PK-5556-003 FOR LOOSE TERMINALS.
5. MATES WITH: 5558, 5566, 5569, 30069, 30070, 42440, 42404, 43879, 43810, 44068.
6. APPLICABLE HOUSING: 5557, 30067, 44516, OR 42474.
7. THE NUMBER OF SERRATIONS TO BE ONE FOR WIRE RANGE #22-28.
8. WHEN TERMINALS ARE INSTALLED IN THE HOUSING THE WIRES ARE TO BE DRESSED IN SUCH A MANNER TO ALLOW THE TERMINALS TO FLOAT FREELY IN THE POCKET.
9. THIS TERMINAL IS DESIGNED FOR SINGLE WIRE CRIMPING.
10. PART CONFORMS TO CLASS "B" REQUIREMENTS OF COSMETIC SPECIFICATION PS-45499-002.



SECT. G-G



SECT. H-H



ADD PHOS BRONZE IEC NO: UCP2014-3295 DRAWING DATE: 2014/02/11 CHKD: BELL APPR: SMITH 2014/03/21	QUALITY SYMBOLS ∇=0 ∇=0 ∇=0	GENERAL TOLERANCES (UNLESS SPECIFIED)		DIMENSION STYLE MM/IN		SCALE	DESIGN UNITS	THIRD ANGLE PROJECTION	
		4 PLACES ± --- ± ---		DRAWN BY: HIRAMOT DATE: '91/05/18		MINI FIT JR SELECT GOLD FEMALE CRIMP TERMINAL  <b>molex</b>	METRIC	□	
		3 PLACES ± --- ± .010		CHECKED BY: MFUKUSHI DATE: '98/11/09					
		2 PLACES ± 0.25 ± .010		APPROVED BY: F SMITH DATE: 2013/01/11					
1 PLACE ± 0.25 ± ---		MATERIAL NO. SEE CHART							
0 PLACE ± --- ± ---		ANGULAR ± 3 °		DOCUMENT NO. SD-5556-006		SHEET NO. 1 OF 2			
DRAFT WHERE APPLICABLE MUST REMAIN WITHIN DIMENSIONS		SIZE C		THIS DRAWING CONTAINS INFORMATION THAT IS PROPRIETARY TO MOLEX INCORPORATED AND SHOULD NOT BE USED WITHOUT WRITTEN PERMISSION					

		(0.9)	(4.5)	(3.6)	(0.6)	(2.7)	(2.3)	Ø (3.1)	#					
PHOS BRONZE	SELECTIVE GOLD (0.76µm)/30m. IN. MIN. AND SELECTIVE TIN (2.54µm)/100m.I. MIN. OVER NICKEL (1.27µm)/50m. IN. MIN. OVERALL	.035	.177	.142	.024	.106	.091	Ø .122 MAX.	#16		▲ -0186	PBGS3PL	LOOSE	
		(0.6)	(2.3)	(2.3)	(0.4)	(1.65)	(1.8)	Ø (0.9-1.8)	#22-28		▲ -0185	PBGS3P	CHAIN	
		.024	.091	.091	.016	.065	.071	Ø .035-.071				▲ -0184	PBGS2PL	LOOSE
		(0.9)	(4.5)	(3.6)	(0.5)	(2.3)	(1.9)	Ø (1.3-3.1)	#18-24		▼ -0182	PBGSPL	LOOSE	
		.035	.177	.142	.020	.091	.075	Ø .051-.122				▼ -0183	PBGS2P	CHAIN
		(0.9)	(4.5)	(3.6)	(0.6)	(2.7)	(2.3)	Ø (3.1)	#16		▲ -0142	GS9L	LOOSE	
BRASS	SELECTIVE GOLD (1.27µm)/50m. IN. MIN. AND SELECTIVE TIN ( 2.54 µm)/ 100 m. IN. MIN. OVER NICKEL (1.27µm)/50m. IN. MIN. OVERALL	.035	.177	.142	.024	.106	.091	Ø .122 MAX.	#16		▲ -0141	GS9	CHAIN	
		(0.6)	(2.3)	(2.3)	(0.4)	(1.65)	(1.8)	Ø (0.9-1.8)	#22-28		▼ -0140	GS8L	LOOSE	
		.024	.091	.091	.016	.065	.071	Ø .035-.071				39-00-0139	GS8	CHAIN
		(0.9)	(4.5)	(3.6)	(0.5)	(2.3)	(1.9)	Ø (1.3-3.1)	#18-24			40-13-0852	GS7L	LOOSE
		.035	.177	.142	.020	.091	.075	Ø .051-.122				40-13-0851	GS7	CHAIN
		(0.9)	(4.5)	(3.6)	(0.6)	(2.7)	(2.3)	Ø (3.1)	#16			39-00-0094	GS6L	LOOSE
	SELECTIVE GOLD (0.38µm)/15m. IN. MIN. AND SELECTIVE TIN ( 2.54 µm)/ 100 m. IN. MIN. OVER NICKEL (1.27µm)/50m. IN. MIN. OVERALL	.035	.177	.142	.024	.106	.091	Ø (3.1) MAX.	#16		▲ -0093	GS6	CHAIN	
		(0.6)	(2.3)	(2.3)	(0.4)	(1.65)	(1.8)	Ø (0.9-1.8)	#22-28			-0092	GS5L	LOOSE
		.024	.091	.091	.016	.065	.071	Ø .035-.071				-0091	GS5	CHAIN
		(0.9)	(4.5)	(3.6)	(0.5)	(2.3)	(1.9)	Ø (1.3-3.1)	#18-24			-0074	GS4L	LOOSE
		.035	.177	.142	.020	.091	.075	Ø .051-.122				-0073	GS4	CHAIN
		(0.9)	(4.5)	(3.6)	(0.6)	(2.7)	(2.3)	Ø (3.1) MAX.	#16			-0090	GS3L	LOOSE
SELECTIVE GOLD (0.76µm)/30m. IN. MIN. AND SELECTIVE TIN (2.54µm)/100m.I. MIN. OVER NICKEL (1.27µm)/50m. IN. MIN. OVERALL	.035	.177	.142	.024	.106	.091	Ø (3.1) MAX.	#16			-0089	GS3	CHAIN	
	(0.6)	(2.3)	(2.3)	(0.4)	(1.65)	(1.8)	Ø (0.9-1.8)	#22-28			-0435	GS2L7F	LOOSE	
	.024	.091	.091	.016	.065	.071	Ø .035-.071				-0434	GS27F	CHAIN	
	(0.9)	(4.5)	(3.6)	(0.5)	(2.3)	(1.9)	Ø (1.3-3.1)	#18-24			▼ -0429	▼ GSL7F	LOOSE	
	.035	.177	.142	.020	.091	.075	Ø .051-.122				39-00-0428	5556 GS7F	CHAIN	
MATERIAL	FINISH	F	E	D	C	B	A	INS. RANGE	WIRE RANGE		EDP NO.	ENG. NO.	FORM	

SEE SHEET 1 E.C. NO: ICP2014-3293 GJ CHKO/BELL APPR/SMITH REV	QUALITY SYMBOLS	GENERAL TOLERANCES (UNLESS SPECIFIED)	DIMENSION STYLE	SCALE	DESIGN UNITS	THIRD ANGLE PROJECTION
	▽=0	mm INCH	MM/IN	10:1	METRIC	☉
	▽=0	4 PLACES ± --- ± ---	DRAWN BY DATE	TITLE		
	▽=0	3 PLACES ± --- ± .010	HIRAMOT '91/05/18	MINI FIT JR SELECT GOLD FEMALE CRIMP TERMINAL		
	1 PLACE ± 0.25 ± ---	CHECKED BY DATE	molex			
	0 PLACE ± --- ± ---	APPROVED BY DATE	SD-5556-006			
	ANGULAR ± 3 °	SMITH 2013/01/11	SHEET NO. 2 OF 2			
	DRAFT WHERE APPLICABLE MUST REMAIN WITHIN DIMENSIONS	MATERIAL NO. SEE CHART	THIS DRAWING CONTAINS INFORMATION THAT IS PROPRIETARY TO MOLEX INCORPORATED AND SHOULD NOT BE USED WITHOUT WRITTEN PERMISSION			