

Excellent Integrated System Limited

Stocking Distributor

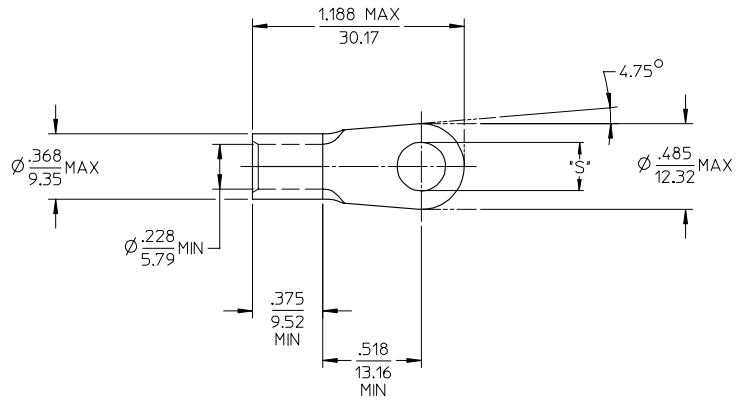
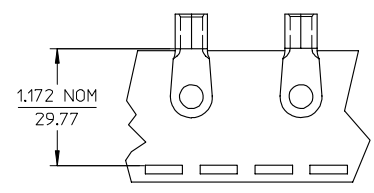
Click to view price, real time Inventory, Delivery & Lifecycle Information:

[Molex Connector Corporation](#)
[19193-0245](#)

For any questions, you can email us directly:

sales@integrated-circuit.com

| 10 | 9 | 8 | 7 | 6 | 5 | 4 | 3 | 2 | 19193 |
|--------------------------|----------|---------------------------|-----------|-----------|-----------|-----------------|---|---|-------|
| MATERIAL NO. LOOSE PIECE | ENG. NO. | MATERIAL NO. TAPE MOUNTED | ENG. NO. | STUD SIZE | ±.003 'S' | STOCK THICKNESS | | | |
| 191930243 | E-360-08 | 191930244 | E-360-08T | 8 | .173 | .050/(1.27) (B) | | | |
| 191930245 | E-360-10 | 191930247 | E-360-10T | 10 | .198 | | | | |
| 191930248 | E-360-14 | 191930250 | E-360-14T | 1/4 | .265 | | | | |
| 191930251 | E-360-56 | 191930253 | E-360-56T | 5/16 | .328 | | | | |



SALES DRAWING

- NOTE(S):
1. MATERIAL: COPPER
 2. PLATING: ELECTROPLATE TIN
 3. ALL DIMENSIONS IN INCHES/(MM).
 4. WIRE SIZE: 6 AWG
16 MM²
 - (B) 5. PART IS ROHS COMPLIANT.

| | | | | | | | | | |
|---|-------------------------------|---|---------------------|--------------------------|------------------------------|------------------------------|------------------------|--------------------|---|
| REVISED MATL THKNS EC NO: ETC2007-0011 2006/07/12 BIDRINEHILLE 2006/07/12 CHYKD-JIMACNEIL 2006/07/12 APPROVED APPR:RIDEROSS 2006/07/12 | QUALITY SYMBOLS ▽=0 ▽=0 | GENERAL TOLERANCES (UNLESS SPECIFIED) | | DIMENSION STYLE IN/MM | SCALE 2:1 | DESIGN UNITS INCH | THIRD ANGLE PROJECTION | | |
| | | 4 PLACES ±--- ±--- | 3 PLACES ±--- ±.005 | 2 PLACES ±0.13 ±.01 | 1 PLACE ±0.25 ±--- | ANGULAR ±1/2° | DRAWN BY DLM | DATE 03/07/28 | TITLE RING TONGUE TERMINAL VERSAKRIMP SERIES 6 AWG |
| | | DRAFT WHERE APPLICABLE MUST REMAIN WITHIN DIMENSIONS | | SEE CHART | MATERIAL NO. SD-19193-032 | DOCUMENT NO. SD-19193-032 | SHEET NO. 1 OF 1 | MOLEX INCORPORATED | |
| | | THIS DRAWING CONTAINS INFORMATION THAT IS PROPRIETARY TO MOLEX INCORPORATED AND SHOULD NOT BE USED WITHOUT WRITTEN PERMISSION | | | | | | | |