

Excellent Integrated System Limited

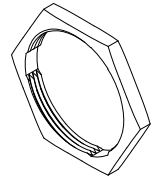
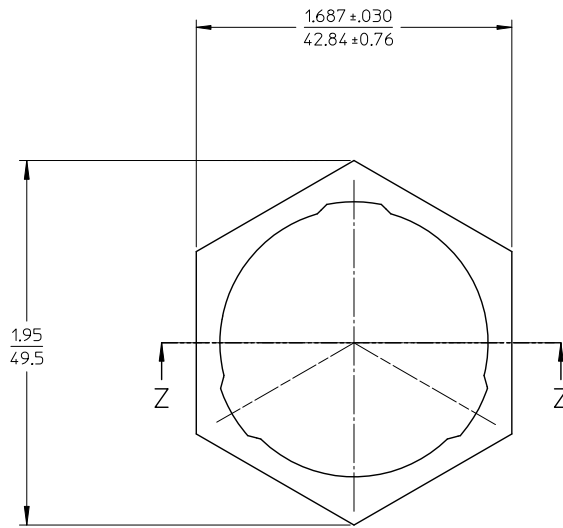
Stocking Distributor

Click to view price, real time Inventory, Delivery & Lifecycle Information:

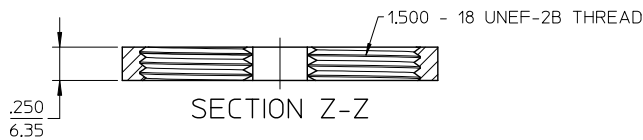
[Molex Connector Corporation](#)
[84502-0004](#)

For any questions, you can email us directly:

sales@integrated-circuit.com



ISOVIEW
SCALE 1:1



NOTE(S):

1. MATERIAL: POLYESTER (PBT)
COLOR: BLACK
UL FLAMMABILITY RATING: UL94 V-0
2. USE WITH MOLEX XRC RECEPTACLE CONNECTORS SERIES 84502 AND 84508.
3. RECOMMENDED TORQUE: 45-55 IN-LB (5.1-6.2 N-M)
4. MATERIAL IS ROHS COMPLIANT.

ADD TORQUE EC NO: JFG2013-0642 DRAWN BY: 2817/0030 CHECKED BY: 2813/0215 APPROVED BY: 2813/0219	QUALITY SYMBOLS ∇=0 ∇=0 ∇=0	GENERAL TOLERANCES (UNLESS SPECIFIED)		DIMENSION STYLE IN/MM		SCALE 2:1	DESIGN UNITS INCH	THIRD ANGLE PROJECTION
		4 PLACES ± --- ± --- 3 PLACES ± --- ± .015 2 PLACES ± 0.38 ± --- 1 PLACE ± --- ± --- 0 PLACE ± ±	mm INCH	DRAWN BY: B. RUPERT CHECKED BY: JPAWLICKI APPROVED BY: RDEROSS	DATE: 02/22/2007 DATE: 02/22/2007 DATE: 02/22/2007	TITLE PANEL HEX NUT, SOCKET RECEPTACLE, 18 SHELL		DOCUMENT NO. SD-84502-008
MATERIAL NO. 845020004		THIS DRAWING CONTAINS INFORMATION THAT IS PROPRIETARY TO MOLEX INCORPORATED AND SHOULD NOT BE USED WITHOUT WRITTEN PERMISSION						