

Excellent Integrated System Limited

Stocking Distributor

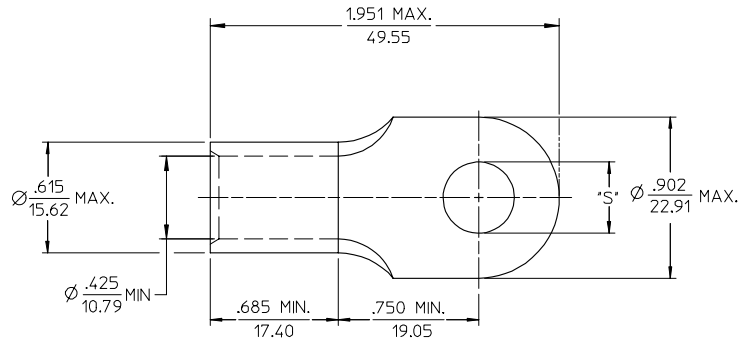
Click to view price, real time Inventory, Delivery & Lifecycle Information:

[Molex Connector Corporation](#)
[19193-0325](#)

For any questions, you can email us directly:

sales@integrated-circuit.com

10	9	8	7	6	5	4	3	2	19193
MATERIAL NO.	ENG. NO.	STUD SIZE	±.003 "S"	STOCK THICKNESS					
191930326	H-380-14	1/4	.265	.075 (1.90)					
191930328	H-380-56	5/16	.328						
191930612	H-380-38	3/8	.390						
191930329	H-380-76	7/16	.453						
191930325	H-380-12	1/2	.515						



SALES DRAWING

- NOTE(S):
1. MATERIAL: COPPER
 2. PLATING: ELECTROPLATE TIN
 3. ALL DIMENSIONS IN INCHES/(MM)
 4. WIRE SIZE: 1/0 AWG
50 MM²
 5. PART IS ROHS COMPLIANT.

REV. CHART & ADDED ROHS EC. NO.: ETC2007-0397 2007/01/27 DRW: NEHLE CHK: JACONEIL 2007/05/09 APPR: JACONEIL 2007/05/10	QUALITY SYMBOLS ▽=0 ▽=0	GENERAL TOLERANCES (UNLESS SPECIFIED)		DIMENSION STYLE IN/MM	SCALE 2:1	DESIGN UNITS INCH	THIRD ANGLE PROJECTION
		4 PLACES ±.--- ±.--- 3 PLACES ±.--- ±.005 2 PLACES ±0.13 ±.01 1 PLACE ±0.25 ±.--- ANGULAR ±1/2°	mm INCH DRAWN BY DATE GZ 85/04/15 CHECKED BY DATE GZ 85/04/15 APPROVED BY DATE GZ 85/04/15	TITLE RING TONGUE TERMINAL, VERSAKRIMP SERIES, 1/0 AWG		MATERIAL NO. SEE CHART	DOCUMENT NO. SD-19193-008
DRAFT WHERE APPLICABLE MUST REMAIN WITHIN DIMENSIONS		THIS DRAWING CONTAINS INFORMATION THAT IS PROPRIETARY TO MOLEX INCORPORATED AND SHOULD NOT BE USED WITHOUT WRITTEN PERMISSION					