

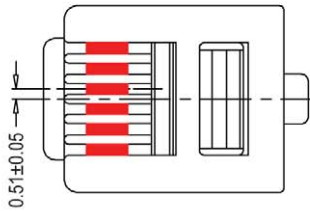
Excellent Integrated System Limited

Stocking Distributor

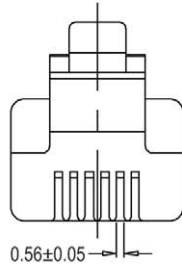
Click to view price, real time Inventory, Delivery & Lifecycle Information:

[ASSMANN WSW Components](#)
[A-MO-6/6-F50](#)

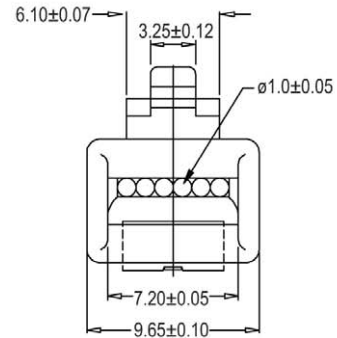
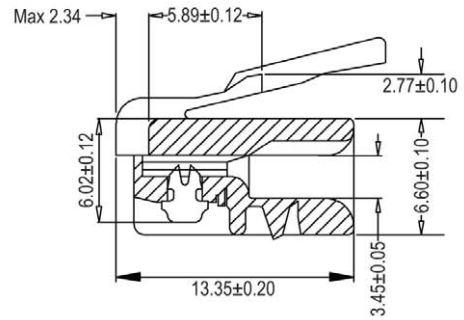
For any questions, you can email us directly:
sales@integrated-circuit.com



MP6P6C



0.56±0.05



Material:

- Housing: Polycarbonate UL94V2
- Contact Blade: High Strength Copper Alloy
- 100 Micron Nickel underplated
- Plating type: 8% Phosphor Bronze
- Plating Thickness: 50µ" Gold plated
- Operating Temperature: -40°C ~ 125°C

Electrical:

- Current Rating: 250V AC / Max @2.0A
- Dielectric: 500V AC
- Insulation Resistance: 500MΩ
- Termination Resistance: 35M after environmental tests
- Tensile Strength: 20lbs. Min.
- Durability: 500 mating cycles

Complies with FCC68/F

Unit: MM



| | |
|----------|---|
| ITEM NO. | A-MO-6/6-F50 |
| TITLE | Modular Cable Plug - 6P6C, 50µ", Unshielded |

ASSMANN

Electronics, Inc.

1840 W. Drake Drive, Suite 101 • Tempe, AZ 85283
 Toll Free: 1-877-277-6266 • Email: info@usa-assmann.com

THIS DRAWING IS UNPUBLISHED
 ©Copyright 2011 by Assmann Electronic Components
 All International Rights Reserved