

## Excellent Integrated System Limited

Stocking Distributor

Click to view price, real time Inventory, Delivery & Lifecycle Information:

[Honeywell Sensing and Productivity Solutions](#)  
[YZ-RX58-D5](#)

For any questions, you can email us directly:

[sales@integrated-circuit.com](mailto:sales@integrated-circuit.com)

# MICRO SWITCH

FREEDPORT ILLINOIS, U.S.A  
 A DIVISION OF HONEYWELL  
 FED. MFG. CODE 91929

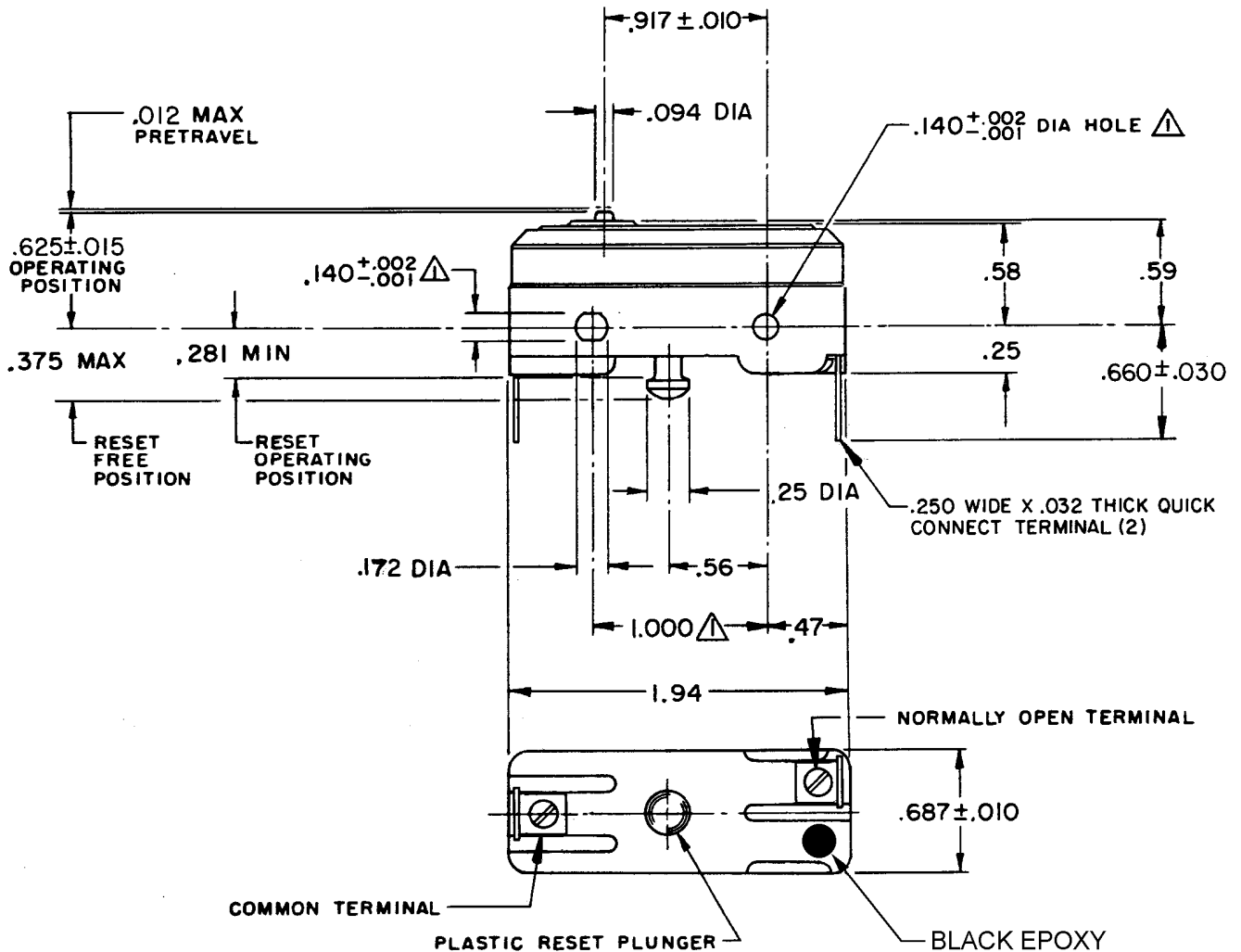
## SWITCH-BASIC

CATALOG LISTING

YZ-RX58-D5

YZ-RX58-D5  
 M  
 DRAWING NUMBER  
 3  
 ISSUE  
 REVISIONS  
 CO-77592  
 DAW  
 15 AUG 94  
 A.0001191  
 JLH  
 20AUG03  
 CHECK KAG 28 AUG 86  
 CHECK KAG 28 AUG 86  
 DRAWN  
 TSK 28 AUG 86  
 RASTER

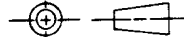
REPLACES X85318-YZ  
 RELEASE NO. PR-15024  
 CHECK  
 CHECK  
 CHECK



NOTE -  
 ▲ - MOUNTING HOLES WILL ACCEPT PINS OR SCREWS OF .139 MAX DIA ON 1.000±.002 CENTERS

THIS DRAWING COVERS A PROPRIETARY ITEM AND IS THE PROPERTY OF MICRO SWITCH. A DIVISION OF HONEYWELL. THIS DRAWING IS NOT TO BE COPIED OR USED WITHOUT THE APPROVAL OF MICRO SWITCH.

THIRD ANGLE PROJECTION



### CHARACTERISTICS

OPERATING FORCE----- 4 OZ MAX  
 OVERTRAVEL----- .005 MIN  
 RESET CHARACTERISTICS  
 OPERATING FORCE----- 2-10 OZ  
 OVERTRAVEL----- .015 MIN

### ELECTRICAL DATA

CONTACT ARRANGEMENT  
 SINGLE POLE NORMALLY OPEN  
 MAINTAINED CONTACT  
 L67  
 15A 125, 250 OR 480 VAC  
 1/4 HP 125 VAC, 1/2 HP 250 VAC  
 1/2A 125 VDC, 1/4A 250 VDC

SCALE FULL

DO NOT SCALE PRINT

TOLERANCES  
 APPLY TO DESIGN UNITS. CONVERSIONS ARE ONLY FOR REFERENCE. UNLESS NOTED, TOLERANCES ARE ±

DIM.	TOL.	DIM.	TOL.
mm	mm/in	in	mm/in
NO PLACES	X	17.04	X X
ONE PLACE	X, X	0.4/.016	X X X
TWO PLACES	X, XX	0.15/.006	X XXX
THREE PLACES	X, XXX		X XXXX
ANGLES			

SI METRIC  US CUSTOMARY

DESIGN UNITS

WEIGHT

