

Excellent Integrated System Limited

Stocking Distributor

Click to view price, real time Inventory, Delivery & Lifecycle Information:

[Mallory Sonalert Products](#)
[SC628FR](#)

For any questions, you can email us directly:

sales@integrated-circuit.com

MALLORY

Mallory Sonalert Products Inc.

Part # **SC628FR**

Sales Outline Drawing

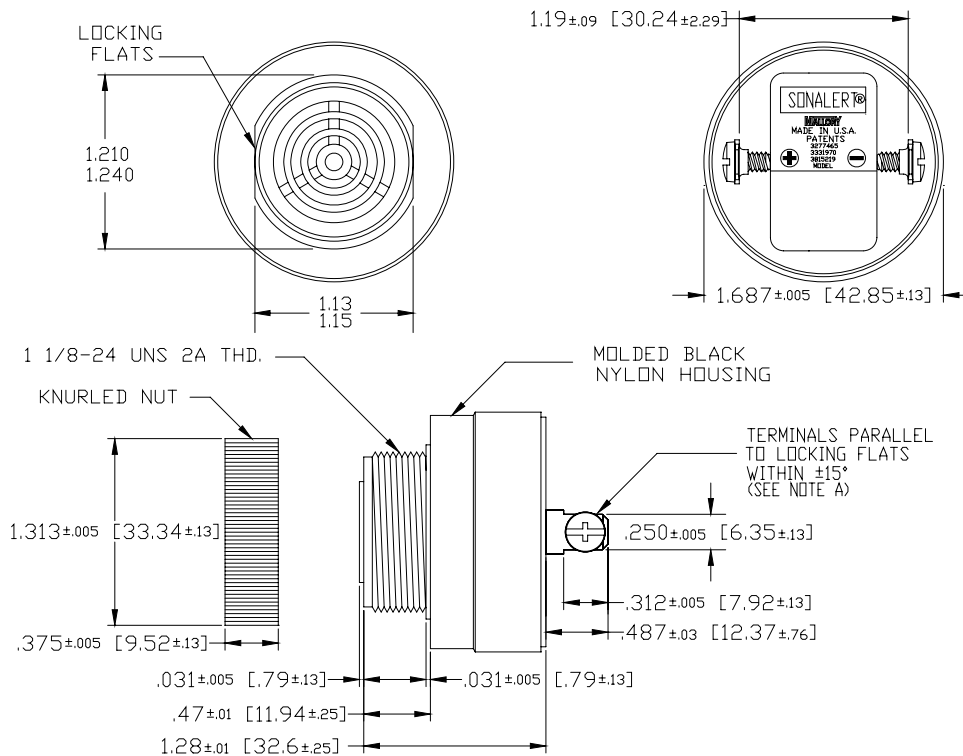
Revision **A**

Specifications:

Sound level Category	Low Sound Level
Mode of Operation	Continuous tone
Mounting	Panel (see note B)
Voltage Rating	6 - 28 Vdc
Frequency	2900 Hz ±500 Hz
Loudness (Min. Voltage)	55 to 68 dB(A) @ 2 FT and 6 Vdc
Loudness (Max Voltage)	70 to 80 dB(A) @ 2 FT and 28 Vdc
Current Draw	2 mA Max @ 6 Vdc
Current Draw	4 mA Max @ 28 Vdc
Storage Temperature	-40°C to +85°C
Operating Temperature	-30°C to +65°C
Weight (Typical)	1.5 oz (42 g)
Housing	6/6 Nylon, Color Black
Options	For other options contact factory

Dimensions: Inches (mm)

RoHS Compliant



NOTE A: TERMINALS-.032 BRASS TIN PLATED, TAPPED FOR #6-32 SCREW. TWO #6-32 NICKEL PLATED BRASS SCREWS INCLUDED. WILL ACCEPT 1/4" QUICK CONNECT.

NOTE B: MOUNTING- REMOVE BLACK PLASTIC NUT AND INSERT THREADED FRONT THROUGH 1.25" HOLE PUNCHED IN PANEL, IF ORIENTATION IS NEEDED, NOTE LOCKING FLATS ON DRAWING. SCREW NUT BACK ON. DO NOT OVERTIGHTEN.