



Mallory Sonalert Products, Inc.

Part #:

SC648AR

Sales Outline Drawing

Revision:

D

Specifications:

Sound Level Category	Medium
Mode of Operation	Continuous
Voltage Rating	10 to 48 VAC/DC
Frequency	2900 ± 500 Hz
Loudness @ 2 FT	77 to 89 dB(A) Typ.
Loudness @ Min V	68 dB(A) @ 2 Feet and 10 Vac/dc
Loudness @ Max V	80 dB(A) @ 2 Feet and 48 Vac/dc
Current Draw	4-16 mA
Housing Material	6/6 Nylon, Color: Black
Storage Temperature	-40° to +85° C
Operating Temperature	-30° to +65° C
Panel Mounting	Recommended hole size is 1.25"(31.75mm). Thread front will fit standard 30mm(1.181") hole.
Knurled Nut	Used to attach part to panel. The max recommended torque is 10 in-lbs.
Weight (Typical)	1.6 oz (45g)
NEMA 3R,4X, & 12	Approved with use of ACC03.
Options	Please contact factory.

Dimensions:

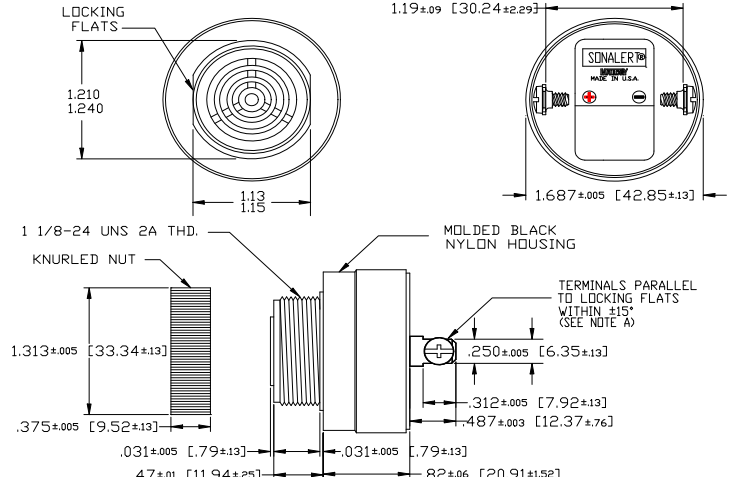
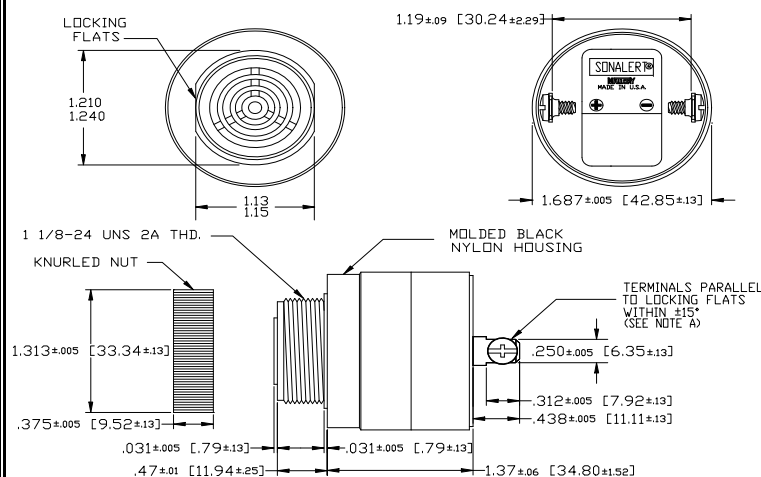
Inches (mm)

cUL Recognized

ROHS Compliant

PART DIMENSIONS BEFORE CODE DATE: 0824 5

PART DIMENSIONS AFTER CODE DATE: 0825 1



NOTE A: TERMINALS-.032 BRASS TIN PLATED, TAPPED FOR #6-32 SCREW. TWO #6-32 NICKEL PLATED BRASS SCREWS INCLUDED. WILL ACCEPT 1/4" QUICK CONNECT.

NOTE B: MOUNTING- REMOVE BLACK PLASTIC NUT AND INSERT THREADED FRONT THROUGH 1.25" HOLE PUNCHED IN PANEL, IF ORIENTATION IS NEEDED, NOTE LOCKING FLATS ON DRAWING. SCREW NUT BACK ON. DO NOT OVERTIGHTEN.

NOTE A: TERMINALS-.032 BRASS TIN PLATED, TAPPED FOR #6-32 SCREW. TWO #6-32 NICKEL PLATED BRASS SCREWS INCLUDED. WILL ACCEPT 1/4" QUICK CONNECT.

NOTE B: MOUNTING- REMOVE BLACK PLASTIC NUT AND INSERT THREADED FRONT THROUGH 1.25" HOLE PUNCHED IN PANEL, IF ORIENTATION IS NEEDED, NOTE LOCKING FLATS ON DRAWING. SCREW NUT BACK ON. DO NOT OVERTIGHTEN.