

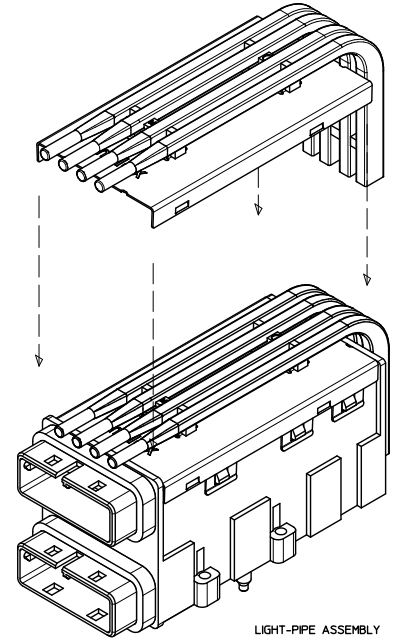
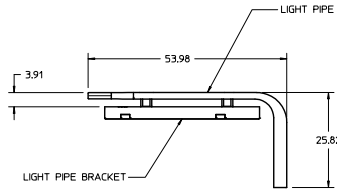
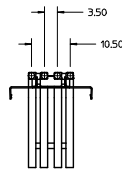
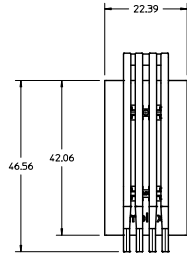
## **Excellent Integrated System Limited**

Stocking Distributor

Click to view price, real time Inventory, Delivery & Lifecycle Information:

[Molex Connector Corporation](#)  
[75758-0101](#)

For any questions, you can email us directly:  
[sales@integrated-circuit.com](mailto:sales@integrated-circuit.com)



LIGHT-PIPE ASSEMBLY SHOWN ASSEMBLED TO IPASS CONNECTOR (SEE NOTE 3)

NOTES :

1. MATERIALS:

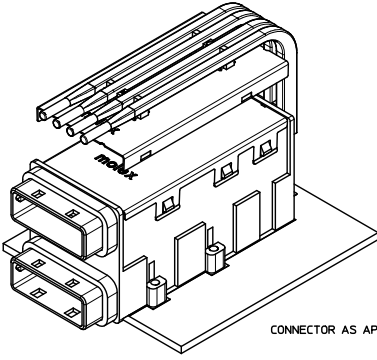
LIGHT PIPES: POLYCARBONATE, CLEAR.

MOUNTING BRACKET: STAINLESS STEEL ALLOY.

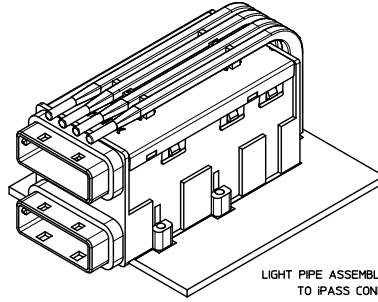
2. LIGHT PIPE ASSEMBLY #170416-0101 IS ATTACHED TO THE COVER OF CONNECTOR ASSEMBLIES 75758-0101 THRU 75758-0111 BY THE CUSTOMER.

3. IPASS CONNECTOR ASSEMBLIES 75758-0101 THRU 75758-0111 ARE SOLD SEPARATELY AND SHOWN FOR REFERENCE ONLY. SEE SALES DRAWING: SD-75758-010.

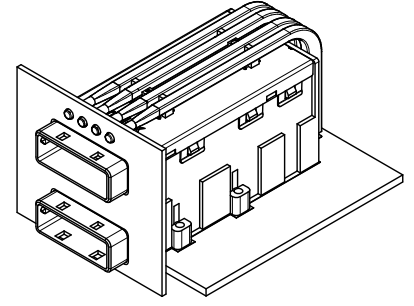
QUALITY SYMBOLS	GENERAL TOLERANCES (UNLESS SPECIFIED)		DIMENSION STYLE		SCALE	DESIGN UNITS	THIRD ANGLE PROJECTION
	mm	INCH	MM ONLY				
∇=0	4 PLACES ±---	±---	DRAWN BY	DATE	2:1	METRIC	ASSEMBLY LIGHT PIPE FOR IPASS 26X26 STACKED 2X1
∇=0	3 PLACES ±---	±---	SBOGIEL	2011/09/19			
∇=0	2 PLACES ±0.13	±---	CHECKED BY	DATE	MOLEX INCORPORATED		
∇=0	1 PLACE ±0.25	±---	APPROVED BY	DATE			
	ANGULAR ±1/2°		MATERIAL NO.	170416-0101	DOCUMENT NO.	SD-170416-0101	SHEET NO. 1 OF 3
DRAFT WHERE APPLICABLE MUST REMAIN WITHIN DIMENSIONS			THIS DRAWING CONTAINS INFORMATION THAT IS PROPRIETARY TO MOLEX INCORPORATED AND SHOULD NOT BE USED WITHOUT WRITTEN PERMISSION				



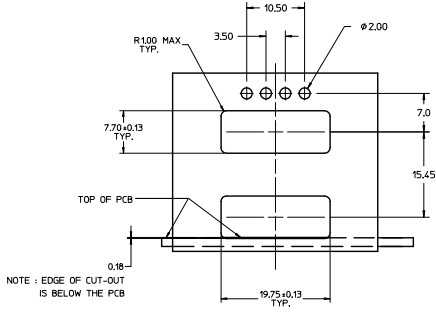
CONNECTOR AS APPLIED TO PCB



LIGHT PIPE ASSEMBLY AS APPLIED TO IPASS CONNECTOR

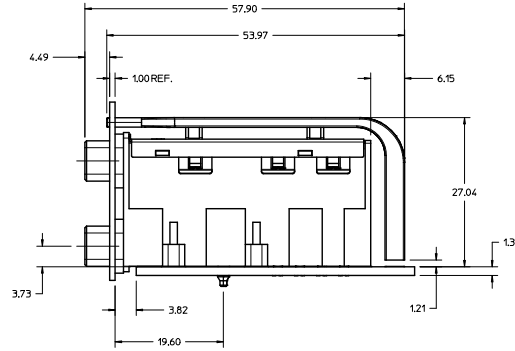


CONNECTOR ASSEMBLY FULLY ASSEMBLED AS INSTALLED IN PANEL

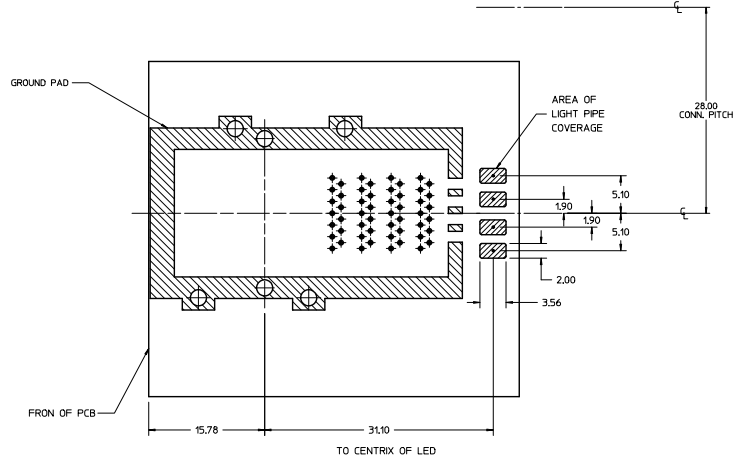


RECOMMENDED MOUNTING PANEL CUT-OUT  
(SUPPLIED BY CUSTOMER)

MAXIMUM THICKNESS 1.50mm



SEE SHEET 1 EC NO. IEP202-063 DRNWSB001EL 2011/09/19 CHKD: APPR:MBANAKIS 2011/10/20 DESG:MBANAKIS	QUALITY SYMBOLS	GENERAL TOLERANCES (UNLESS SPECIFIED)	DIMENSION STYLE	SCALE	DESIGN UNITS	THIRD ANGLE PROJECTION
	▽=0 ▽=0	mm INCH 4 PLACES ±--- ±--- 3 PLACES ±--- ±--- 2 PLACES ±0.13 ±--- 1 PLACE ±0.25 ±--- ANGULAR ±1/2°	MM ONLY	3:1	METRIC	<input checked="" type="checkbox"/> THIRD ANGLE PROJECTION
	DRAWN BY SBOGIEL 2011/09/19 CHECKED BY DATE	APPROVED BY MBANAKIS 2011/10/20 DATE	TITLE			ASSEMBLY LIGHT PIPE FOR IPASS 26X26 STACKED 2X1
	MATERIAL NO. 75758-010* SIZE D THIS DRAWING CONTAINS INFORMATION THAT IS PROPRIETARY TO MOLEX INCORPORATED AND SHOULD NOT BE USED WITHOUT WRITTEN PERMISSION	DOCUMENT NO. SD-170416-0101 SHEET NO. 2 OF 3	MOLEX INCORPORATED			



**RECOMMENDED PCB LAYOUT**

THICKNESS - 1.35mm MIN.

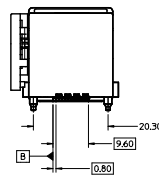
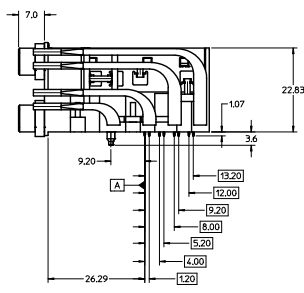
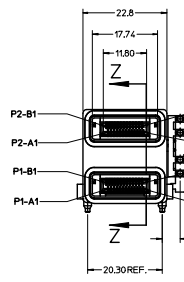
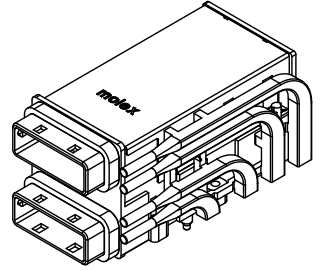
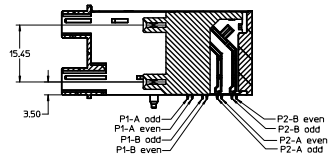
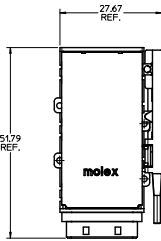
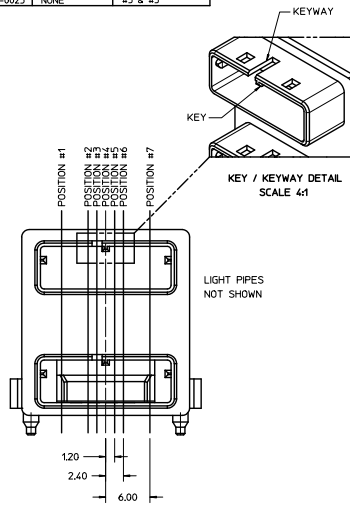
**NOTE:**

1. DIMENSIONS SHOWN ARE FOR LED PLACEMENT ONLY.  
SEE SALES DRAWING SD-75758-010 FOR DETAILED  
PCB LAYOUT AND SPECIFICATIONS.

SEE SHEET 1 EC NO. WF202-063 DRAWN: SBUGIEL 2011/09/19 CHCK: MBANAKIS 2011/10/20 APPROVED: MBANAKIS 2011/10/20 DESIGNED: MBANAKIS 2011/10/20 A	QUALITY SYMBOLS ▽=0 ▽=0	GENERAL TOLERANCES (UNLESS SPECIFIED) mm INCH 4 PLACES ±--- ±--- 3 PLACES ±--- ±--- 2 PLACES ±0.13 ±--- 1 PLACE ±0.25 ±--- ANGULAR ±1/2°	DIMENSION STYLE MM ONLY	SCALE 2:1	DESIGN UNITS METRIC	THIRD ANGLE PROJECTION	
	DRAWN BY SBUGIEL	DATE 2011/09/19	TITLE ASSEMBLY LIGHT PIPE FOR IPASS 26X26 STACKED 2X1				
	CHECKED BY MBANAKIS	DATE 2011/10/20	APPROVED BY MBANAKIS	DATE 2011/10/20	MATERIAL NO. 75758-010*	DOCUMENT NO. SD-170416-0101	SHEET NO. 3 OF 3
	DRAFT WHERE APPLICABLE MUST REMAIN WITHIN DIMENSIONS SIZE D THIS DRAWING CONTAINS INFORMATION THAT IS PROPRIETARY TO MOLEX INCORPORATED AND SHOULD NOT BE USED WITHOUT WRITTEN PERMISSION						

20 19 18 17 16 15 14 13 12 11 10 9 8 7 6 5 4 3 2 1

KEY/KEYWAY OPTIONS			
PART NUMBER	KEY POSITION	KEYWAY POSITION	
75758-0001	NONE	NONE	
75758-0002	#3	NONE	
75758-0003	#4	NONE	
75758-0004	#4	#3 & #5	
75758-0005	NONE	#3 & #5	

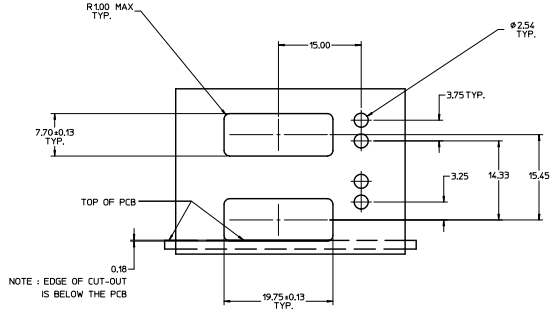


NOTES :

- MATERIALS :  
CONNECTOR HOUSING - HIGH TEMP THERMOPLASTIC.  
GLASS-FILLED, UL94V-0.  
COLOR - BLACK  
EM HOUSING - DIE CAST ALLOY, NICKEL PLATED FINISH  
COVER - STAINLESS STEEL ALLOY  
CPI TERMINALS - COPPER ALLOY  
EM GASKETS - CONDUCTIVE POLYMER  
LIGHT PIPE - CLEAR THERMOPLASTIC, UL94V-0
- TERMINAL PLATING :  
CONTACT AREA - 0.76µM MN GOLD OVER 2.54µM MN NICKEL.  
COMPLIANT AREA - 0.76-152µM TINLEAD (90/10) OVER 2.54µM MN NICKEL.
- PACKAGING SPECIFICATION : TRAY PACK IN BOX.
- REFER TO PS-75586-001 PRODUCT SPEC FOR ALL ELECTRICAL, MECHANICAL AND ENVIRONMENTAL SPECIFICATIONS.
- THIS CONNECTOR IS DESIGNED TO MATE WITH MOLEX CABLE SERIES 74548.
- REQUIRES MOUNTING HARDWARE : (A) M2 X 8MM CAP SCREWS OR EQUIV. MAX. TORQUE 2.3 in/lbs.

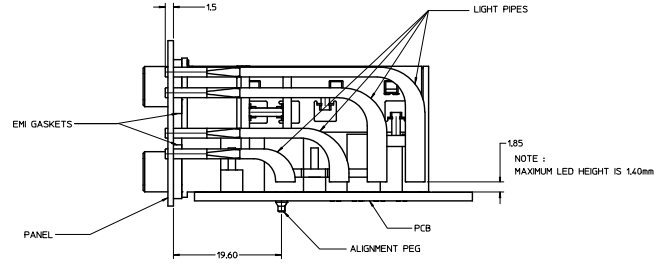
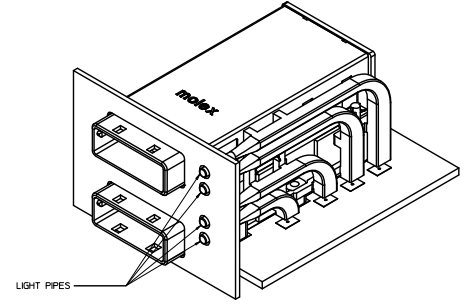
ADD LEAD-FREE #s EC NO. LEP2002-063 ITD/DRWS/300/EL 2011/10/13 CHKD: APPR:R/BAK/LS 2011/10/20 DESIGNED BY:	QUALITY SYMBOLS	GENERAL TOLERANCES (UNLESS SPECIFIED)	DIMENSION STYLE	SCALE	DESIGN UNITS	THIRD ANGLE PROJECTION
	▽=0	4 PLACES ±--- ±---	MM ONLY	2:1	METRIC	☑
	▽=0	3 PLACES ±--- ±---	DRAWN BY	DATE	TITLE	
	▽=0	2 PLACES ±0.25 ±---	JJANTELEZ10 02/05/2008	02/05/2008	IPASS STACKED 26/26 CIRCUIT CONNECTOR W/LIGHT PIPES	
		1 PLACE ±0.25 ±---	CHKD BY	DATE		
		ANGULAR ±1/2°	APPROVED BY	DATE		
		DRAFT WHERE APPLICABLE MUST REMAIN WITHIN DIMENSIONS	BANKI S 02/05/2008	02/05/2008		
			PATENT NO.	75758-000*	DOCUMENT NO.	SD-75758-001
			SIZE	D	THIS DRAWING CONTAINS INFORMATION THAT IS PROPRIETARY TO MOLEX INCORPORATED AND SHOULD NOT BE USED WITHOUT WRITTEN PERMISSION	

19 18 17 16 15 14 13 12 11 10 9 8 7 6 5 4 3 2 1



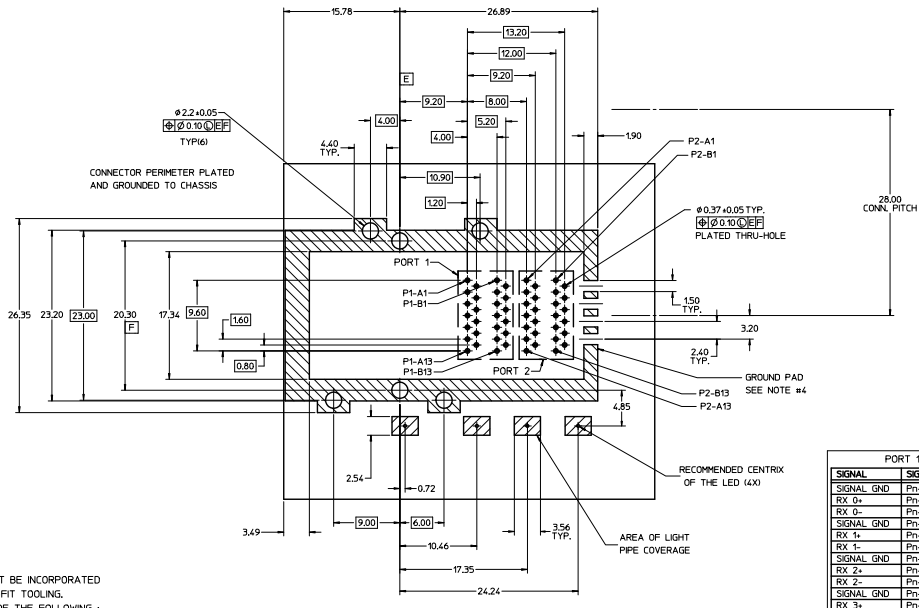
**PANEL CUT-OUT**

MAXIMUM THICKNESS = 150  
(NOT SUPPLIED)



**ASSEMBLY VIEW**

SEE SHEET 1 EC NO. IEP202-003 DRAWN: SROJ/EL 2011/10/13 CHECK: SROJ/EL APPROVED: SROJ/EL 2011/10/20 (REV)	QUALITY SYMBOLS	GENERAL TOLERANCES (UNLESS SPECIFIED)	DIMENSION STYLE MM ONLY	SCALE 3:1	DESIGN UNITS METRIC	THIRD ANGLE PROJECTION
	▽=0	mm INCH	DRAWN BY JJANTELEZ10	DATE 02/05/2008	TITLE IPASS STACKED	
	▽=0	4 PLACES ±--- ±---	CHECKED BY KLANG	DATE 02/05/2008	26/26 CIRCUIT CONNECTOR	
	▽=0	3 PLACES ±--- ±---	APPROVED BY BANAKIS	DATE 02/05/2008	W/LIGHT PIPES	
	2 PLACES ±0.25 ±---	ANGULAR ±1/2°	PATERIAL NO. 75758-000*		DOCUMENT NO. SD-75758-001	SHEET NO. 2 OF 3
	1 PLACE ±0.25 ±---	DRAFT WHERE APPLICABLE MUST REMAIN WITHIN DIMENSIONS	THIS DRAWING CONTAINS INFORMATION THAT IS PROPRIETARY TO MOLEX INCORPORATED AND SHOULD NOT BE USED WITHOUT WRITTEN PERMISSION			



PORT 1		PORT 2	
SIGNAL	SIGNAL PIN	SIGNAL	SIGNAL PIN
SIGNAL GND	P1-A1	SIGNAL GND	P1-B1
RX 0-	P1-A2	TX 0+	P1-B2
RX 0+	P1-A3	TX 0-	P1-B3
SIGNAL GND	P1-A4	SIGNAL GND	P1-B4
RX 1-	P1-A5	TX 1+	P1-B5
RX 1+	P1-A6	TX 1-	P1-B6
SIGNAL GND	P1-A7	SIGNAL GND	P1-B7
RX 2+	P1-A8	TX 2+	P1-B8
RX 2-	P1-A9	TX 2-	P1-B9
SIGNAL GND	P1-A10	SIGNAL GND	P1-B10
RX 3+	P1-A11	TX 3+	P1-B11
RX 3-	P1-A12	TX 3-	P1-B12
SIGNAL GND	P1-A13	SIGNAL GND	P1-B13

PN ASSIGNMENT

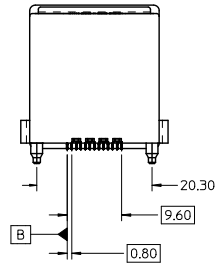
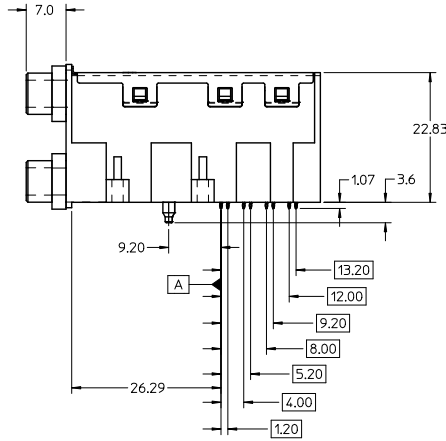
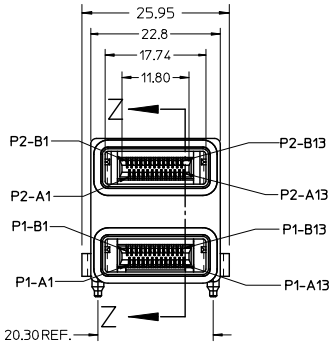
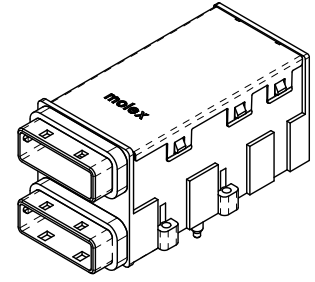
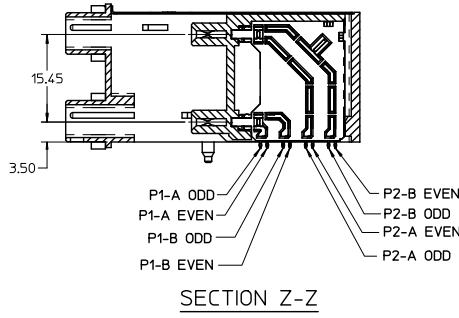
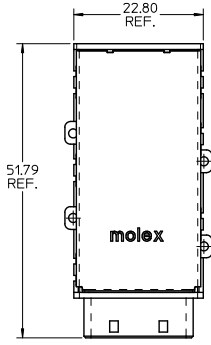
NOTES:

- CROSS-HATCHED AREA MUST BE INCORPORATED IN THE FLAT ROCK PRESS-FIT TOOLING.
- RECOMMENDED LED'S INCLUDE THE FOLLOWING :  
DIALIGHT : 597-77x1-5xx SERIES  
CHICAGO MINIATURE : 70% SERIES  
KINGBRIGHT : APBL3025 SERIES (BICOLOR)  
APL3015 SERIES (SINGLE COLOR)
- LED'S MUST HAVE A MAXIMUM HEIGHT OF 1.4mm AND A MINIMUM HEIGHT OF 0.7mm
- PLATE GROUND PAD WITH EMERSON SILVER OR GOLD.
- RECOMMENDED DRILL SIZE FOR 0.37Φ FINISHED PTH IS 0.457Φ (#77 DRILL)
- RECOMMENDED ANNULAR RING AROUND 0.37Φ FINISHED PTH IS 0.73Φ

RECOMMENDED PCB LAYOUT

THICKNESS = 1.35mm MIN.

SEE SHEET 1 EC NO. WF7202-003 DRAWN: SROU/EL 2011/10/19 CHKD: [ ] APPROVED: [ ] DATE: 2011/10/20	QUALITY SYMBOLS ∇=0 ∇=0 ∇=0	GENERAL TOLERANCES (UNLESS SPECIFIED) mm INCH 4 PLACES ±--- ±--- 3 PLACES ±--- ±--- 2 PLACES ±0.25 ±--- 1 PLACE ±0.25 ±--- ANGULAR ±1/2°	DIMENSION STYLE MM ONLY	SCALE 2:1	DESIGN UNITS METRIC	THIRD ANGLE PROJECTION
	DRAFT WHERE APPLICABLE MUST REMAIN WITHIN DIMENSIONS	DRAWN BY: JJANTELEZ10 CHECKED BY: KLANG APPROVED BY: BANAKI S DATE: 02/05/2008 DATE: 02/05/2008 DATE: 02/05/2008	MATERIAL NO. 75758-000*	TITLE IPASS STACKED 26/26 CIRCUIT CONNECTOR W/LIGHT PIPES	MOLEX INCORPORATED	SHEET NO. 3 OF 3

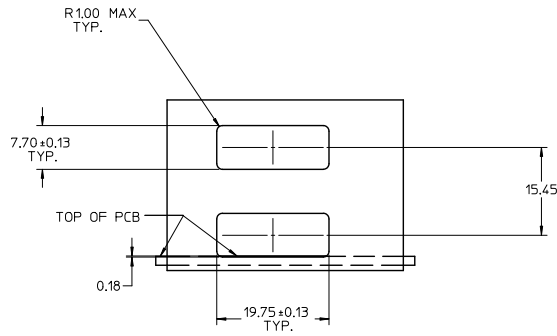


NOTES :

1. MATERIALS :  
 CONNECTOR HOUSING - HIGH TEMP THERMOPLASTIC,  
 GLASS-FILLED, UL94V-0,  
 COLOR - BLACK  
 EMI HOUSING - DIE CAST ALLOY, NICKEL PLATED FINISH  
 COVER - STAINLESS STEEL ALLOY  
 CPI TERMINALS - COPPER ALLOY  
 EMI GASKETS - CONDUCTIVE POLYMER
2. TERMINAL PLATING :  
 CONTACT AREA - 0.76μ MIN GOLD OVER 2.54μ MIN NICKEL.  
 COMPLIANT AREA - 0.76-1.52μ TIN/LEAD (90/10) OVER  
 1.27μ MIN NICKEL.
3. PACKAGING SPECIFICATION : TRAY PACK (TBD)
4. REFER TO PS-75586-001 PRODUCT SPEC FOR ALL ELECTRICAL, MECHANICAL  
 AND ENVIRONMENTAL SPECIFICATIONS.
5. THIS CONNECTOR IS DESIGNED TO MATE WITH MOLEX CABLE SERIES 74548.
6. REQUIRES MOUNTING HARDWARE : (4) M2 X 8MM CAP SCREWS OR EQUIV.  
 MAX. TORQUE 2.3 in/lbs.

UPD TERM PLATING EC NO: UCP2014-3957 DRW: JONIALEZ01 2011/06/21 CHK: KLANG 2011/06/21 APPR: MBANKA1S 2011/07/06 REV DESCRIPTION	QUALITY SYMBOLS	GENERAL TOLERANCES (UNLESS SPECIFIED)	DIMENSION STYLE	SCALE	DESIGN UNITS	THIRD ANGLE PROJECTION
	$\nabla=0$ $\nabla=0$	mm INCH 4 PLACES ± --- ± --- 3 PLACES ± --- ± --- 2 PLACES ± 0.25 ± --- 1 PLACE ± 0.25 ± --- ANGULAR ± 1/2°	MM ONLY	2:1	METRIC	
			DRAWN BY: JJANTELEZ10 CHECKED BY: KLANG APPROVED BY: MBANKA1S DATE: 01/23/08 DATE: 01/23/08 DATE: 01/23/08			TITLE: IPASS STACKED 26/26 CIRCUIT CONNECTOR
		DRAFT WHERE APPLICABLE MUST REMAIN WITHIN DIMENSIONS	SEE CHART SIZE C	MATERIAL NO. DOCUMENT NO.	MOLEX INCORPORATED	SHEET NO. 1 OF 3

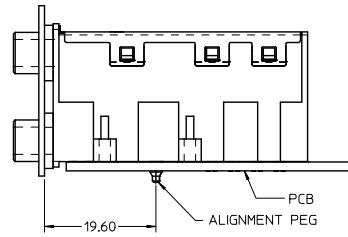
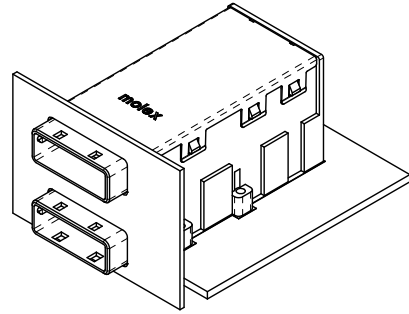




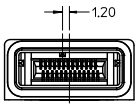
**PANEL CUT-OUT**

MAXIMUM THICKNESS = 1.50  
(NOT SUPPLIED)

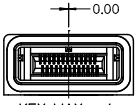
NOTE : EDGE OF CUT-OUT  
IS BELOW THE PCB



**ASSEMBLY VIEW**



KEY WAY - 3



KEY WAY - 4

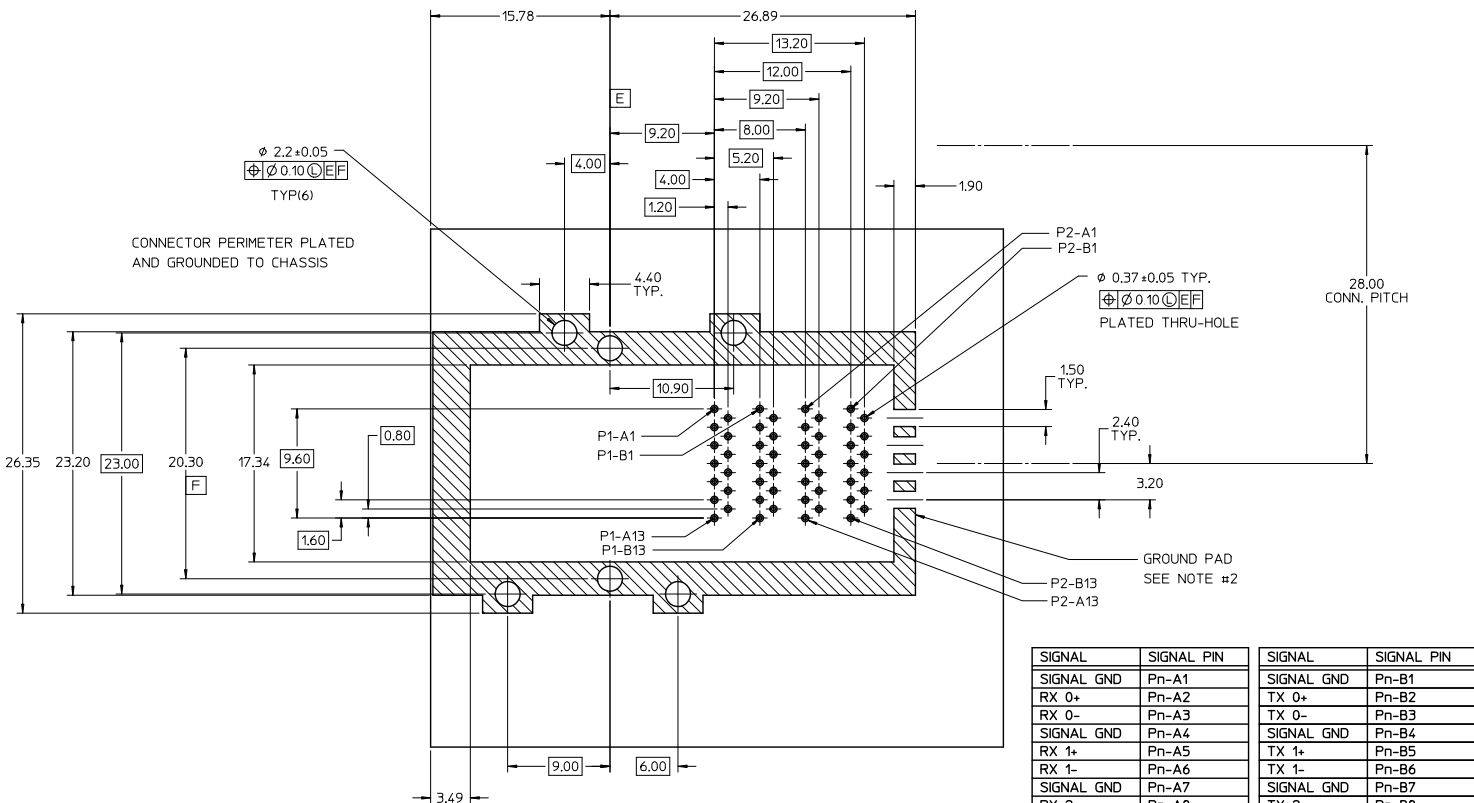


KEY WAY - NONE

**KEY WAY OPTIONS**

PART NUMBER	KEY WAY
75758-0101	NONE
75758-0102	#3
75758-0103	#4
-	-
-	-
-	-
-	-
-	-
-	-

SEE SHEET 1 EC NO: UCP2014-3957 DRAWN: JONIALEZIO 2011/06/21 CHK: KLANG 2011/06/21 APPR: MBANKIS 2011/07/06	QUALITY SYMBOLS ▽=0 ▽=0	GENERAL TOLERANCES (UNLESS SPECIFIED)		DIMENSION STYLE MM ONLY		SCALE 2:1	DESIGN UNITS METRIC	THIRD ANGLE PROJECTION		
		4 PLACES ± --- ± ---	3 PLACES ± --- ± ---	2 PLACES ± 0.25 ± ---	1 PLACE ± 0.25 ± ---	DRAWN BY JJANTELEZIO	DATE 01/23/08	TITLE IPASS STACKED 26/26 CIRCUIT CONNECTOR		
		ANGULAR ± 1/2°				CHECKED BY KLANG	DATE 01/23/08	MOLEX INCORPORATED		
		DRAFT WHERE APPLICABLE MUST REMAIN WITHIN DIMENSIONS				APPROVED BY MBANKIS	DATE 01/23/08	MATERIAL NO. SEE SHEET 1	DOCUMENT NO. SD-75758-002	SHEET NO. 2 OF 3



- NOTES :
- CROSS-HATCHED AREA MUST BE INCORPORATED IN THE FLAT ROCK PRESS-FIT TOOLING.
  - PLATE GROUND PAD WITH EMERSION SILVER OR GOLD.
  - RECOMMENDED DRILL SIZE FOR 0.37 $\phi$  FINISHED PTH IS 0.457 $\phi$  (#77 DRILL)
  - RECOMMENDED ANNULAR RING AROUND 0.37 $\phi$  FINISHED PTH IS 0.73 $\phi$

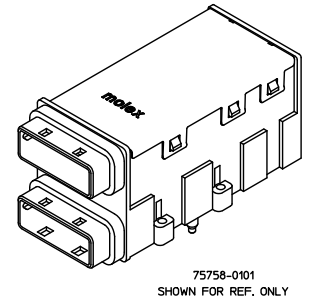
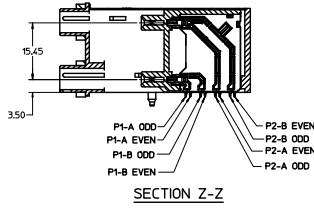
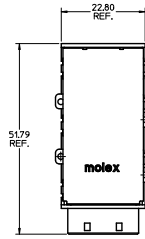
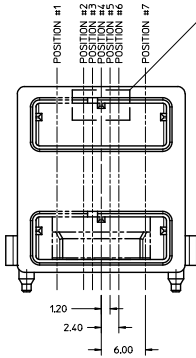
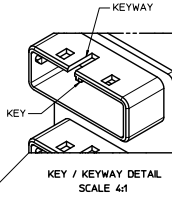
SIGNAL	SIGNAL PIN	SIGNAL	SIGNAL PIN
SIGNAL GND	Pn-A1	SIGNAL GND	Pn-B1
RX 0+	Pn-A2	TX 0+	Pn-B2
RX 0-	Pn-A3	TX 0-	Pn-B3
SIGNAL GND	Pn-A4	SIGNAL GND	Pn-B4
RX 1+	Pn-A5	TX 1+	Pn-B5
RX 1-	Pn-A6	TX 1-	Pn-B6
SIGNAL GND	Pn-A7	SIGNAL GND	Pn-B7
RX 2+	Pn-A8	TX 2+	Pn-B8
RX 2-	Pn-A9	TX 2-	Pn-B9
SIGNAL GND	Pn-A10	SIGNAL GND	Pn-B10
RX 3+	Pn-A11	TX 3+	Pn-B11
RX 3-	Pn-A12	TX 3-	Pn-B12
SIGNAL GND	Pn-A13	SIGNAL GND	Pn-B13

**RECOMMENDED PCB LAYOUT**

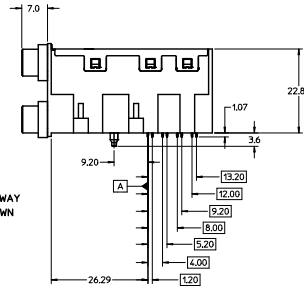
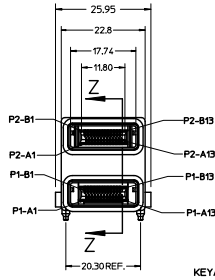
THICKNESS = 1.35mm MIN.

SEE SHEET 1 EC NO: UCP2011-3957 DRAWN: JONIALEZIO 2011/06/21 CHECKED: KLANG 2011/06/21 APPROVED: MBANKA1S 2011/07/06	QUALITY SYMBOLS	GENERAL TOLERANCES (UNLESS SPECIFIED)	DIMENSION STYLE	SCALE	DESIGN UNITS	THIRD ANGLE PROJECTION
	$\nabla=0$ $\nabla=0$	4 PLACES ± --- ± --- 3 PLACES ± --- ± --- 2 PLACES ± 0.25 ± --- 1 PLACE ± 0.25 ± --- ANGULAR ± 1/2°	MM ONLY	2:1	METRIC	<input checked="" type="checkbox"/> THIRD ANGLE PROJECTION
	DRAWN BY: JJANTELEZIO CHECKED BY: KLANG APPROVED BY: MBANKA1S	DATE: 01/23/08 DATE: 01/23/08 DATE: 01/23/08	TITLE	IPASS STACKED 26/26 CIRCUIT CONNECTOR		
	MATERIAL NO. SEE SHEET 1 DOCUMENT NO. SD-75758-002 SHEET NO. 3 OF 3	MOLEX INCORPORATED				

KEYING & PLATING OPTIONS			
TIN/LEAD PART NUMBER	LEAD FREE PART NUMBER	KEY POSITION	KEYWAY POSITION
75758-0101	75758-0201	NONE	NONE
75758-0102	75758-0202	#3	NONE
75758-0103	75758-0203	#4	NONE
75758-0104	75758-0204	#4	#3 & #5
75758-0105	75758-0205	NONE	#3 & #5
75758-0106	75758-0206	#4	#3
75758-0107	75758-0207	NONE	#3
75758-0108	75758-0208	#4	#5
75758-0109	75758-0209	NONE	#5
75758-0110	75758-0210	#2, #4	NONE
75758-0111	75758-0211	#4 & #6	NONE



75758-0101 SHOWN FOR REF. ONLY



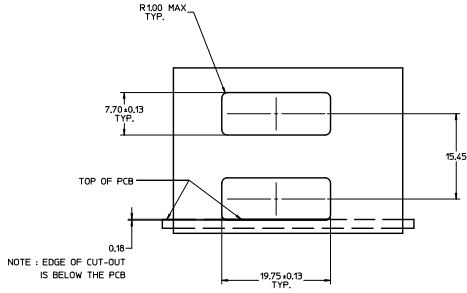
KEY/KEYWAY NOT SHOWN

- NOTES :
- MATERIALS :  
CONNECTOR HOUSING - HIGH TEMP THERMOPLASTIC, GLASS-FILLED, UL94V-0, COLOR - BLACK  
EMI HOUSING - DIE CAST ALLOY, FINISH NICKEL  
COVER - STAINLESS STEEL ALLOY  
CPI TERMINALS - COPPER ALLOY  
EMI GASKETS - CONDUCTIVE POLYMER

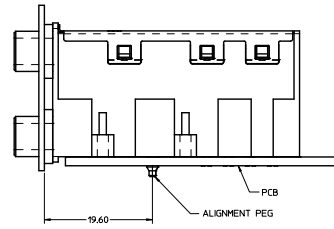
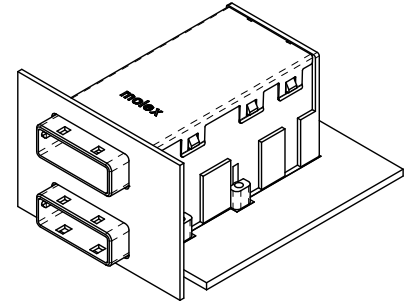
- TERMINAL PLATING : SEE CHART  
OPTION 1) TIN/LEAD - CONTACT AREA - 0.7μM MIN GOLD OVER 2.5μM MIN NICKEL.  
COMPLIANT AREA - 0.7-1.5μM TIN/LEAD (90/10) OVER 1.2μM MIN NICKEL.

- PACKAGING SPECIFICATION : TRAY PACK (TBD)
- REFER TO PS-75586-001 PRODUCT SPEC FOR ALL ELECTRICAL, MECHANICAL AND ENVIRONMENTAL SPECIFICATIONS.
- THIS CONNECTOR IS DESIGNED TO MATE WITH MOLEX CABLE SERIES 74548.
- REQUIRES MOUNTING HARDWARE : (4) M2 X 8MM CAP SCREWS OR EQUIV. MAX. TORQUE 2.3 in/lbs.
- PRODUCT IS ROHS COMPLIANT.

ADD LEAD FREE ECN 10/27/02-043 ECN 10/27/02-043 CHN 10/27/02-043 APPR MBANKAKIS 2011/01/20 REV 1	QUALITY SYMBOLS	GENERAL TOLERANCES (UNLESS SPECIFIED)	DIMENSION STYLE MM ONLY	SCALE 2:1	DESIGN UNITS METRIC	THIRD ANGLE PROJECTION	
	$\nabla=0$ $\nabla=0$ $\nabla=0$	4 PLACES ±---+---+---+--- 3 PLACES ±---+---+--- 2 PLACES ±0.25+---+--- 1 PLACE ±0.25+---+--- ANGULAR ±1/2°	DRAWN BY JJANTELEZIO 01/23/08 CHECKED BY KLANG 01/23/08 APPROVED BY MBANKAKIS 01/23/08	MATERIAL NO. 75758-010* SIZE D THIS DRAWING CONTAINS INFORMATION THAT IS PROPRIETARY TO MOLEX INCORPORATED AND SHOULD NOT BE USED WITHOUT WRITTEN PERMISSION	TITLE IPASS STACKED 26/26 CIRCUIT CONNECTOR MOLEX MOLEX INCORPORATED DOCUMENT NO. SD-75758-010	SHEET NO. 1 OF 3	
	DRAFT WHERE APPLICABLE MUST REMAIN WITHIN DIMENSIONS						
	SIZE D THIS DRAWING CONTAINS INFORMATION THAT IS PROPRIETARY TO MOLEX INCORPORATED AND SHOULD NOT BE USED WITHOUT WRITTEN PERMISSION						

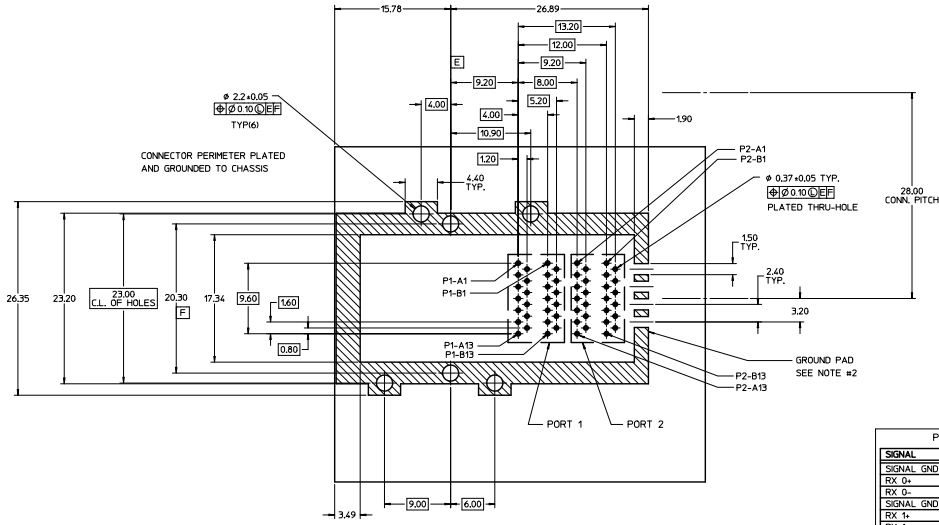


**PANEL CUT-OUT**  
MAXIMUM THICKNESS = .150  
(NOT SUPPLIED)



**ASSEMBLY VIEW**

SEE SHEET 1 ECN NO. IPE2002-0063 DRAWN BY: J. JANTOLEZIO CHKD: MBANAKI S APPR: MBANAKI S DATE: 2011/09/14 DATE: 2011/10/20 REVISIONS:	QUALITY SYMBOLS $\nabla=0$ $\nabla=0$ $\nabla=0$	GENERAL TOLERANCES (UNLESS SPECIFIED): mm INCH 4 PLACES ±.005 ±.0005 3 PLACES ±.002 ±.0002 2 PLACES ±.025 ±.0005 1 PLACE ±.025 ±.0005 ANGULAR ±1/2°	DIMENSION STYLE MM ONLY	SCALE 3:1	DESIGN UNITS METRIC	THIRD ANGLE PROJECTION	
	DRAWN BY: J. JANTOLEZIO CHECKED BY: MBANAKI S DATE: 01/23/08 DATE: 01/23/08	TITLE IPASS STACKED 26/26 CIRCUIT CONNECTOR					
	MATERIAL NO. 75758-0101*	DOCUMENT NO. SD-75758-010					
	DRAFT WHERE APPLICABLE MUST REMAIN WITHIN DIMENSIONS	THIS DRAWING CONTAINS INFORMATION THAT IS PROPRIETARY TO MOLEX INCORPORATED AND SHOULD NOT BE USED WITHOUT WRITTEN PERMISSION					



**NOTES:**

- CROSS-HATCHED AREA MUST BE INCORPORATED IN THE FLAT ROCK PRESS-FIT TOOLING.
- RECOMMENDED LED'S INCLUDE THE FOLLOWING :  
DIALIGHT : 597-77x1-5xx SERIES  
CHICAGO MINIATURE : 7016 SERIES  
KINGBRIGHT : APBL3025 SERIES (BICOLOR)  
APL3015 SERIES (SINGLE COLOR)
- LED'S MUST HAVE A MAXIMUM HEIGHT OF 1.4mm AND A MINIMUM HEIGHT OF 0.7mm
- PLATE GROUND PAD WITH EMERSON SILVER OR GOLD.
- RECOMMENDED DRILL SIZE FOR 0.37 $\phi$  FINISHED PTH IS 0.457 $\phi$  (#77 DRILL)
- RECOMMENDED ANNULAR RING AROUND 0.37 $\phi$  FINISHED PTH IS 0.7 $\phi$

**RECOMMENDED PCB LAYOUT**

THICKNESS - 1.35mm MIN.

PORT 1		PORT 2	
SIGNAL	SIGNAL PIN	SIGNAL	SIGNAL PIN
SIGNAL GND	A1	SIGNAL GND	B1
RX 0+	A2	TX 0+	B2
RX 0-	A3	TX 0-	B3
SIGNAL GND	A4	SIGNAL GND	B4
RX 1+	A5	TX 1+	B5
RX 1-	A6	TX 1-	B6
SIGNAL GND	A7	SIGNAL GND	B7
RX 2+	A8	TX 2+	B8
RX 2-	A9	TX 2-	B9
SIGNAL GND	A10	SIGNAL GND	B10
RX 3+	A11	TX 3+	B11
RX 3-	A12	TX 3-	B12
SIGNAL GND	A13	SIGNAL GND	B13

**PIN ASSIGNMENT**

SEE SHEET 1 EC NO. WF202-063 DRAWING NO. IEL 2011/09/14 CHKD. APPROVED BY MBANAKIS 2011/10/20 DATE	QUALITY SYMBOLS 4 PLACES $\pm$ --- 3 PLACES $\pm$ --- 2 PLACES $\pm$ 0.25 1 PLACE $\pm$ 0.25 ANGULAR $\pm 1/2^\circ$	GENERAL TOLERANCES (UNLESS SPECIFIED) mm INCH --- --- --- ---	DIMENSION STYLE MM ONLY DRAWN BY JJANTELEZ10 DATE 01/23/08 CHECKED BY DATE 01/23/08 APPROVED BY MBANAKIS DATE 01/23/08	SCALE 2:1 DESIGN UNITS METRIC THIRD ANGLE PROJECTION	TITLE IPASS STACKED 26/26 CIRCUIT CONNECTOR
	DRAFT WHERE APPLICABLE MUST REMAIN WITHIN DIMENSIONS		MATERIAL NO. 75758-010*	MOLEX INCORPORATED	SHEET NO. 3 OF 3
	THIS DRAWING CONTAINS INFORMATION THAT IS PROPRIETARY TO MOLEX INCORPORATED AND SHOULD NOT BE USED WITHOUT WRITTEN PERMISSION				
	DOCUMENT NO. SD-75758-010				