



Distributor of Amphenol Commercial Products: Excellent Integrated System Limited
Datasheet of G17K09003101EU - D-Sub Connector Receptacle, Female Sockets 9 Position
Free Hanging (In-Line) IDC, Ribbon Cable

Contact us: sales@integrated-circuit.com Website: www.integrated-circuit.com

Excellent Integrated System Limited

Stocking Distributor

Click to view price, real time Inventory, Delivery & Lifecycle Information:

[Amphenol Commercial Products](#)
[G17K09003101EU](#)

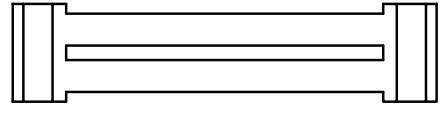
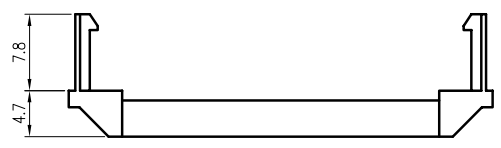
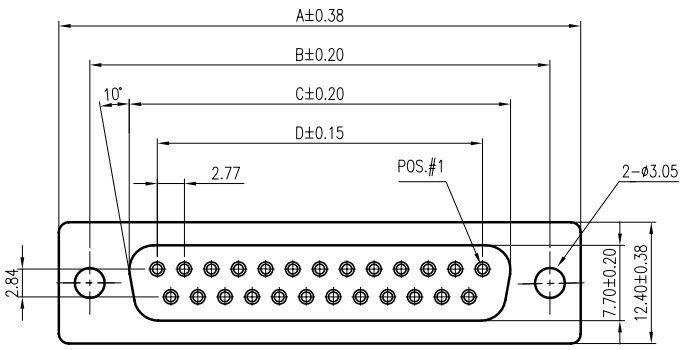
For any questions, you can email us directly:
sales@integrated-circuit.com

This document is the property of Amphenol Corporation and is delivered on the express condition that it is not to be disclosed, reproduced or used, in whole or in part, for manufacture or sale by anyone other than Amphenol Corporation without its prior consent, and that no other information is granted to disclose or to use any information in this document.

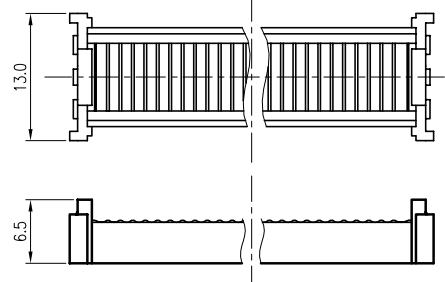
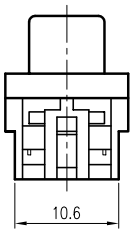
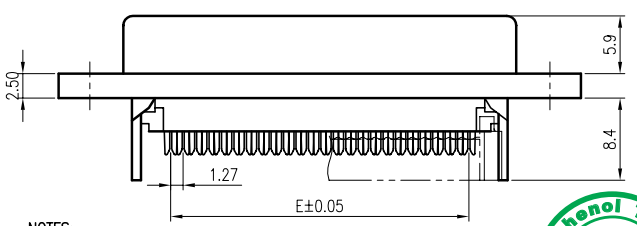
contact us: sales@integrated-circuit.com website: www.integrated-circuit.com

CUSTOMER DRAWING
ORIGINAL

REVISIONS				
SYM.	FCN No.	DESCRIPTION	DATE	APPROVED
A		RELEASE FOR RoHS	10/07/2005	Henry Ko



STRAIN RELIEF



IDC COVER

- NOTES:
- CONTACTS FINISH: SELECTIVE GOLD PLATED
 - INSULATOR: PBT GLASS FIBER FILLED UL 94V-0, COLOR- BLACK
 - THIS PRODUCT DOESN'T CONTAIN ENVIRONMENTAL HAZARDOUS MATERIALS PER DIRECTIVE 2002/95/EC FOR RoHS.



PART NUMBERS	NO. OF CONTACTS	DIM. A	DIM. B	DIM. C	DIM. D	DIM. E	TOLERANCE m/m	APPROVALS		DATE	TITLE	Amphenol® Amphenol Corporation Amphenol Taiwan Corporation			
								DRAWN	CHECKED	APPROVED					SCALE
G17K 090X 3101 EU	9	30.50	24.99	16.00	11.08	10.16	x. ±0.30	Sondra Sang		10/07/05	G17K SERIES FLAT RIBBON CABLE IDC D-SUB, RECEPT. ALL PLASTIC	SCALE	N.A.	SHEET 1 OF 1	REV. A
G17K 150X 3101 EU	15	39.00	33.32	24.27	19.39	17.78	x.xx ±0.15	Laura Su		10/07/05					
G17K 250X 3101 EU	25	53.08	47.04	38.22	33.24	30.48	x.xxx ±0.08	Ken Lin for		10/07/05					
G17K 370X 3101 EU	37	69.25	63.50	54.65	49.86	45.72	ANGULAR ±2'								
							UNLESS OTHERWISE SPECIFIED			UNIT	SIZE	PART NO.	DRAWING NO.		
										MM	A3	G17K XXOX 3101 EU	DSUB-G17KXXOX3101EU-25		