



Distributor of Amphenol Commercial Products: Excellent Integrated System Limited
Datasheet of L717DB25PV - D-Sub Connector Plug, Male Pins 25 Position Through Hole
Solder

Contact us: sales@integrated-circuit.com Website: www.integrated-circuit.com

Excellent Integrated System Limited

Stocking Distributor

Click to view price, real time Inventory, Delivery & Lifecycle Information:

[Amphenol Commercial Products](#)
[L717DB25PV](#)

For any questions, you can email us directly:

sales@integrated-circuit.com

17D

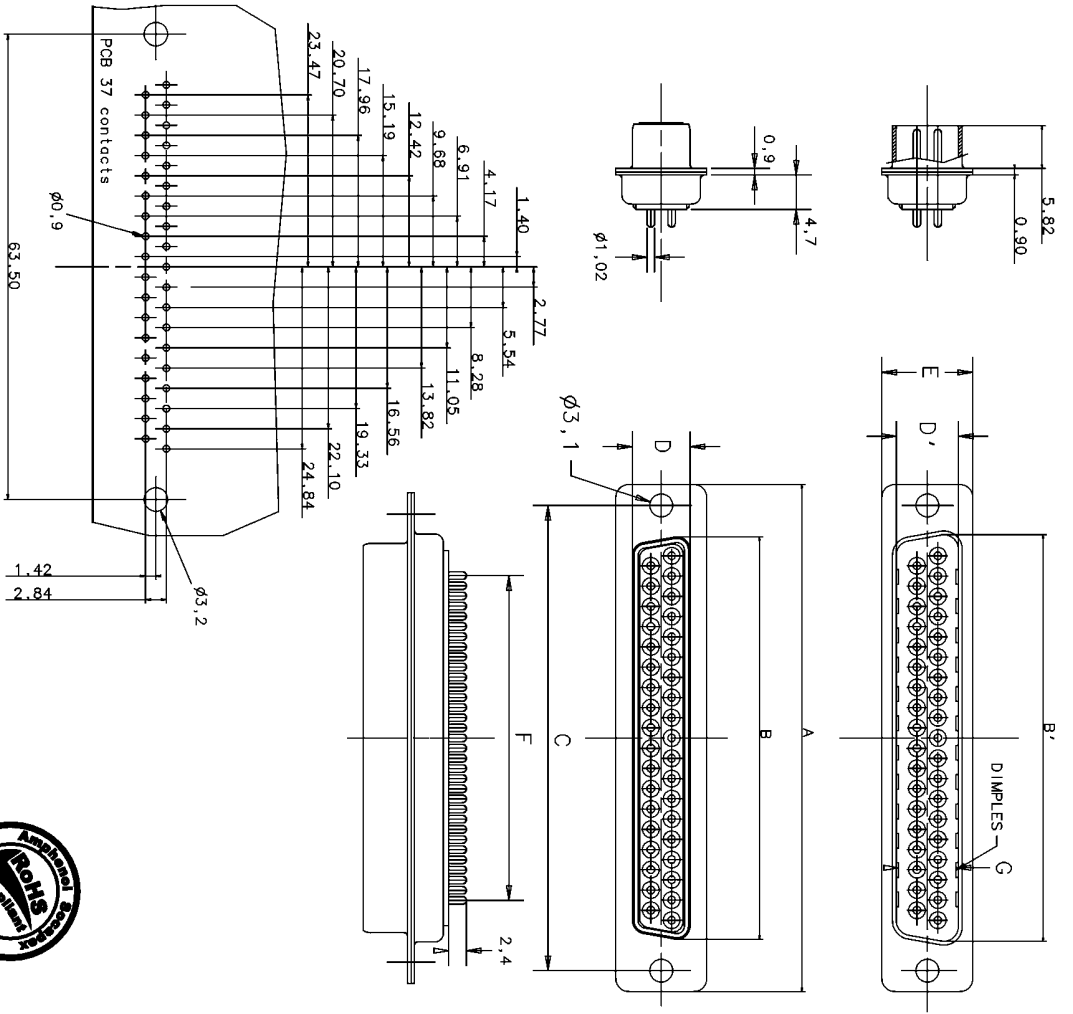
DATE DU TIRAGE

N ETUDE

N OUTIL

N CLIENT

Partie	A	B'	B	C	D'	D	E	F ±0,05	Pas	G	*
boîtier	30.19	16.49	17.94	25.12	9.97	8.49	12.97	10.98	2.74	7.62	2x3
A	38.76	24.54	25.72	37.50	9.97	8.49	12.97	19.20	2.74	7.62	2x5
B	53.42	38.25	38.84	46.91	9.97	8.49	12.97	35.12	2.76	7.62	2x8
C	68.94	54.97	55.55	63.67	9.97	8.49	12.97	49.68	2.76	7.62	2x12
D	67.31	52.56	52.68	61.39	10.82	10.35	14.95	44.20	2.76	10.5	2x12



TECHNICAL DATA

'' D '' SUBMINIATURE CONNECTORS

SHELL : Steel.

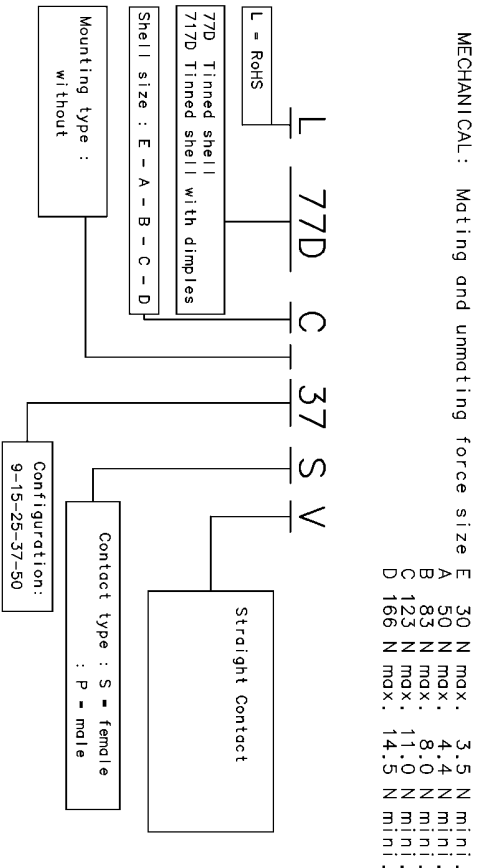
BODY : Glass filled thermoplastic.
 Flame retardant to UL 94 V-0.
 Colour : Black.

CONTACTS : Material for sockets : bronze.
 Material for pins : brass.
 Finish of contact mating area : Gold over Nickel.

ELECTRICAL : Voltage rating 300 V eff at 50Hz.
 Nominal current 7,5 A.
 Contact resistance <8.5m Ohms.
 Insulation resistance >5000 M Ohms.

CLIMATIC : Temperature range -55°C up to +85° C
 Damp heat 21 days (40° C - 95 % RH)
 Other climatic specifications in accordance with NF C 93-425

MECHANICAL : Mating and unmating force size E
 A 50 N max. 4.4 N mini.
 B 85 N max. 8.0 N mini.
 C 125 N max. 11.0 N mini.
 D 166 N max. 14.5 N mini.



N SERIE	017F	DESIGNATION	L ** 7D *** V
IND.	Creation plan	DATE	13/03/2006
MODIFICATION		DATE	Execution
Amphenol Socapex		Usine de Dole	
Echelle 2		ENSEMBLE	
DOSSIER-NOTICE-17D		AX	