



Excellent Integrated System Limited

Stocking Distributor

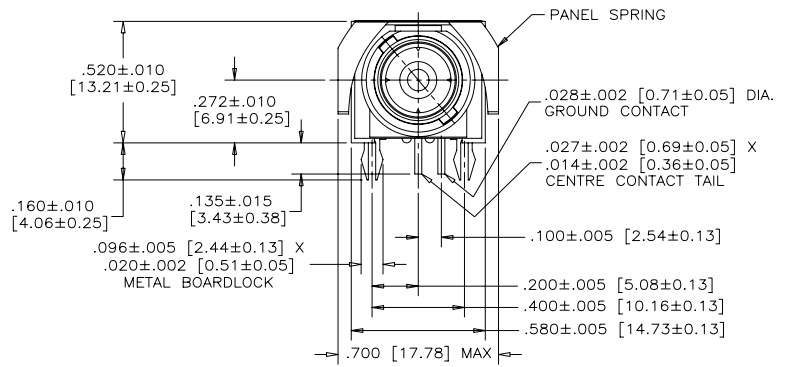
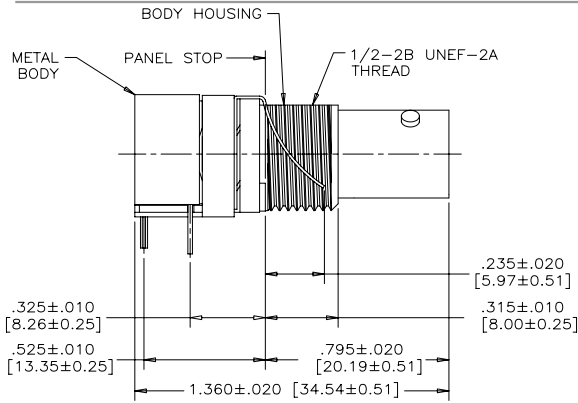
Click to view price, real time Inventory, Delivery & Lifecycle Information:

[Amphenol Commercial Products](#)
[456E-117](#)

For any questions, you can email us directly:

sales@integrated-circuit.com

REVISIONS			
REV	ECN, ERN NO.	DATE	APPRD.
A	PRODUCT DRAWING	JAN11/06	K.L.



MECHANICAL SPECIFICATION:

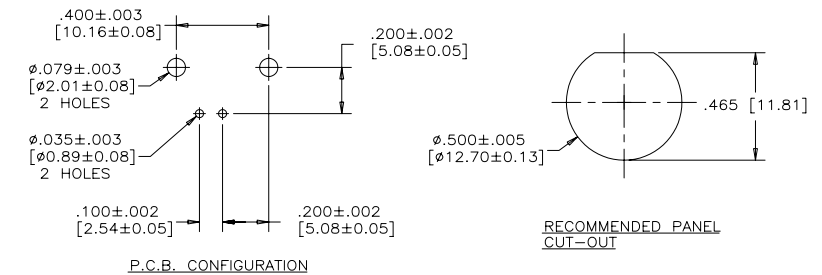
ALL MATERIALS ARE RoHS COMPLIANT

BODY HOUSING: THERMOPLASTIC POLYESTER

GROUNDING DEVICE: COPPER ALLOY, TIN PLATED

CENTRE CONTACT: PHOSPHOR BRONZE, 10 MICRONS [0.25 MICRONS] GOLD PLATED OVER NICKEL ON MATING AREA WITH TIN ON TAIL

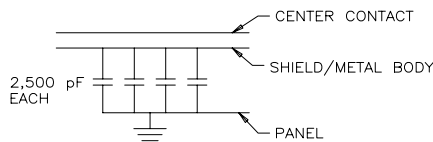
METAL BODY: HIGH STRENGTH ZINC DIE-CAST NICKEL PLATED



RECOMMENDED PANEL CUT-OUT

ELECTRICAL SPECIFICATION:

CAPACITANCE	10000 pF ± 15%
DIELECTRIC WITHSTANDING VOLTAGE	1000 VDC 500 VRMS
WORKING VOLTAGE	200 VDC
IMPEDANCE (SEE PART NUMBER)	50 OR 75 OHM NOMINAL
OPERATING TEMPERATURE	-20°C TO +85°C



CIRCUIT DIAGRAM

AMPHENOL PART NO.	IMPEDANCE
456E-117	50 OHM
456E-717	75 OHM

NOTE: BOARDLOCKS ARE ELECTRICALLY CONNECTED TO THE BODY.

THIS DOCUMENT CONTAINS PROPRIETARY INFORMATION AND SUCH INFORMATION MAY NOT BE DISCLOSED TO OTHERS FOR ANY PURPOSE OR USED FOR MANUFACTURING PURPOSES WITHOUT WRITTEN PERMISSION FROM AMPHENOL CANADA CORP.

DRAWN	A. CHENG	DATE	JAN10/06
DESIGNED			
CHECKED	K. LAMBIE	DATE	JAN11/06
I. E. APPRD.			
Q. A. APPRD.			
DWG. APPRD.			
ENG. REL. NO.			
REF.	EAR 12900		
DIMENSIONS ARE IN	INCHES (mm)	CODE ID. NO.	03554

Amphenol Canada Corp.

456E SERIES B.N.C. RIGHT ANGLE CAPACITIVELY DECOUPLED CONNECTOR, 10,000 pF, RoHS COMPLIANT

REV.	A
DWG	C
DRAWING NO.	P-456E-X17
SCALE	3/1
WT.	-----
SURF.	-----
SHEET	1 OF 1