

## Excellent Integrated System Limited

Stocking Distributor

Click to view price, real time Inventory, Delivery & Lifecycle Information:

[Amphenol Commercial Products](#)  
[L17DM537401](#)

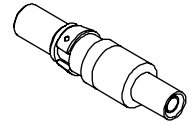
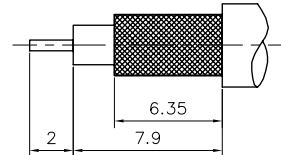
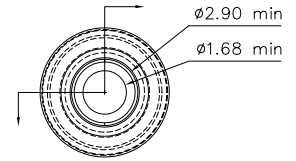
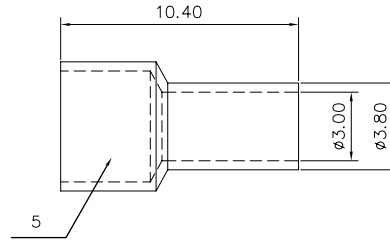
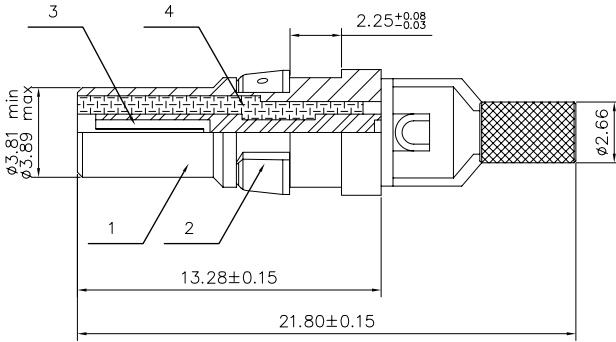
For any questions, you can email us directly:

[sales@integrated-circuit.com](mailto:sales@integrated-circuit.com)

# Customer drawing

REVISIONS				
SYM	EDN	DESCRIPTION	DATE	APPROVED
E		trasfered from ASF drawing	11/14/07	IP
F		add to more information	Jan./05/09	IP

The document is the property of Amphenol Corporation and is delivered on the express condition that it is not to be disclosed, reproduced or used, in whole or in part, for manufacture or sale by anyone other than Amphenol Corporation without its prior consent. All right is granted to Amphenol or to use any information in this document.



Trim cable



NOTES:

MECHANICAL

Materials and Finish: referring to the table

ELECTRICAL :

- Voltage rating 300 V Rms to 50 Hz
- Current rating 0.5A
- Impedance: 50 Ohms Nominal
- Frequency Range: 0 to 1 GHz
- Insulation resistance: 5000 Megaohms Minimum
- Cable RG: 179B/U and RG316B/U

ENVIRONMENTAL

- Operating Temperature range -55 °C up to 125°C
- Vibration: MIL-STD-202, Method 204, Test Condition D
- Shock: MIL-STD-202, Method 213, Test Condition I
- Corrosion Resistance: MIL-STD-202, Method 101, Test Condition B

Sequence	Material	Remark
5	brass	gold over 1.25um nickel
4	ferrule	Color white
3	Phosphor bronze	0.75um min gold over 1.25um nickel
2	thermoplastic	Color black
1	brass	gold over 1.25um nickel

UNLESS OTHERWISE SPECIFIED		APPROVAL	DATE
TOLERANCES		DRAWN	11/14/07
U.S.	METRIC	CHECKED	11/14/07
X +/-	0.20		
XX +/-	0.10		
XXX +/-	0.05		
FRACTIONS	/		
ANGLES	°		
FOR MATERIALS AND FINISHES		DRAWING FILE :	
SEE NOTES		ANGLE OF PROJECTION	
REMOVE SHARP EDGES		FIRST ANGLE	
DIMENSIONS		SIZE	
INCHES		DRAWING NO.	
MM		A4 4W00210C-C-L17DM537401	
		SCALE NONE	
		SHEET 1 OF 1	

Amphenol®

TITLE Straight shielded contacts Crimp ferrule

REV.	F
------	---