



Distributor of Amphenol Commercial Products: Excellent Integrated System Limited
Datasheet of UE32AN0000 - Connector Plug Firewire (IEEE 1394) 6 Position Free Hanging (In-Line)

Contact us: sales@integrated-circuit.com Website: www.integrated-circuit.com

Excellent Integrated System Limited

Stocking Distributor

Click to view price, real time Inventory, Delivery & Lifecycle Information:

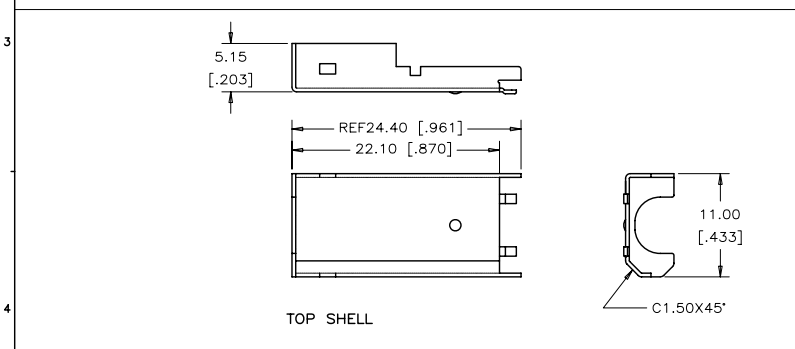
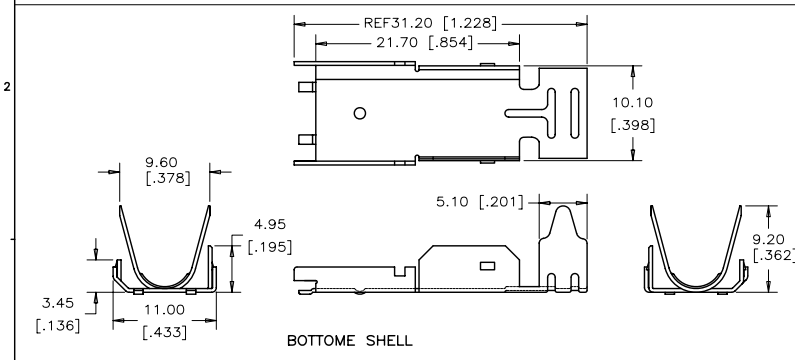
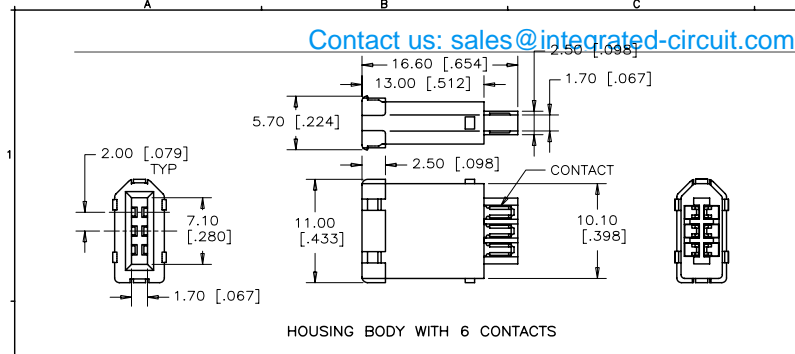
[Amphenol Commercial Products](#)
[UE32AN0000](#)

For any questions, you can email us directly:

sales@integrated-circuit.com

Contact us: sales@integrated-circuit.com Website: www.integrated-circuit.com

REVISIONS			
SYMBOL	ECN. ERN NO.	DATE	APPRD.
A	PROPOSAL	Jan 17.07	L.CHAN
B	PROPOSAL	Jan 26.07	L.CHAN



NOTES:

- MATERIALS:**
HOUSING: GLASS REINFORCED HIGH TEMPERATURE THERMOPLASTIC
 FLAMMABILITY UL94V-0
 COLOUR: BLACK
CONTACTS: COPPER ALLOY.
PLATING:
 1.27 MICRONS [50 μ"] MIN NICKEL UNDERPLATE OVERALL.
 0.76 MICRONS [30μ"] PLATED ON MATING AREA.
 TIN ON CONTACT TAILS.
SHELL: STEEL, NICKEL PLATED.
- TOLERANCE UNLESS INDICATED OTHERWISE: ±0.30 [.012]. ±3'.**

AMPHENOL PART NUMBER: UE32-AN0-000

SERIES UE3= FIREWIRE SERIAL CONTACT
 TYPE 2= PLUG
 NUMBER OF CONTACT A=6 CONTACTS
 CONFIGURATION N= PLUG ASSEMBLY AND SOLDER CONTACTS INSTALLED

MODIFIER 0= STANDARD PRODUCT
 DEVIATIONS 0= PLUG
 SHIELD DEVIATIONS 0= PLUG
 CONTACT PLATING 0= 0.76 MICRONS [30μ"]

MATERIAL	DRAWN <i>MT.Chen</i> DESIGNED <i>L.CHAN</i>	DATE Jan 17.07 Jan 17.07	Amphenol Canada Corp.	
SEE NOTES	CHECKED I. E. APPRD. Q. A. APPRD.		TITLE IEEE 1394 FIREWIRE PLUG 6 POSITION SOLDER TYPE	
PLATING	DWG. APPRD. ENG. REL. NO. REF. <i>EAR #13018</i>		DWG C	DRAWING NO. P-UE32-AN0-000
SEE NOTES	DIMENSIONS ARE IN <i>m/m</i>	CODE ID. NO. 03554	SCALE <i>N/A</i>	WT. _____ SURF. _____ REV. <i>B</i>
			SHEET 1	OF 1

THIS DOCUMENT CONTAINS PROPRIETARY INFORMATION AND SUCH INFORMATION MAY NOT BE DISCLOSED TO OTHERS FOR ANY PURPOSE OR USED FOR MANUFACTURING PURPOSES WITHOUT WRITTEN PERMISSION FROM AMPHENOL CANADA CORP.