

Excellent Integrated System Limited

Stocking Distributor

Click to view price, real time Inventory, Delivery & Lifecycle Information:

[ASSMANN WSW Components](#)

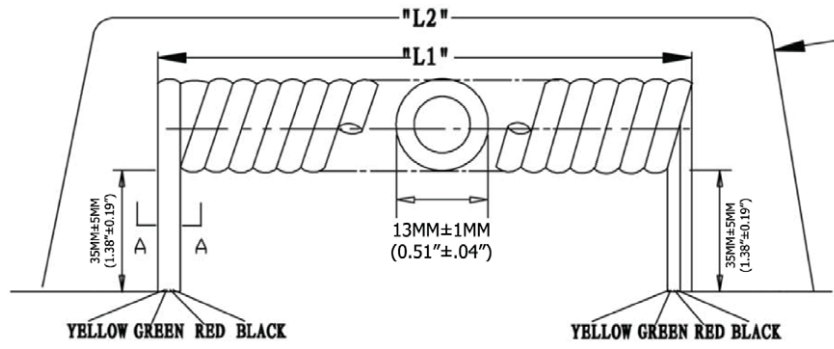
[AT-K-C-26-4-W/14](#)

For any questions, you can email us directly:

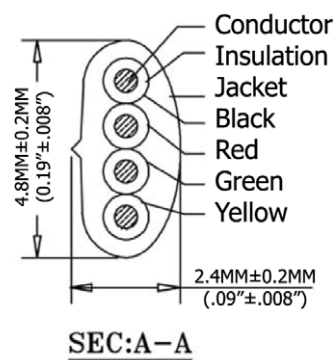
sales@integrated-circuit.com

1 2 3 4 5 6 7

A
B
C
D
E
F



Extended length is with 500g of force



Extended Length ("L2")	Typical Retracted Length ("L1")
168.0 Inches - 193.2 Inches	33.5 Inches
4,267.2MM-4,907.28MM	850.9MM

- Material:**
- Conductor(X4C): 26AWG (0.12X12) Bare Copper
 - Insulation(X4C):PP6331 ID 0.95-1.0
 - Jacket: PVC NO UL 80P
 - Package: Individual PE Bag



Scale	1:1
TOLERANCE	
X.X	±0.40
X.XX	±0.25
X.XXX	±0.15
Angle	±3°



Name	Item No.
Drawn 12.19.11 Chappell	AT-K-C-26-4-W/14
Approved	Title NON-UL 26AWG (0.16/7)*4C, O.D.: 2.4*4.8MM, Pre-Cut, 14Ft., White
	Drawing No.
	rev00
Modification Date Name	Replace Sheet

1 2 3 4 5 6 7