

## Excellent Integrated System Limited

Stocking Distributor

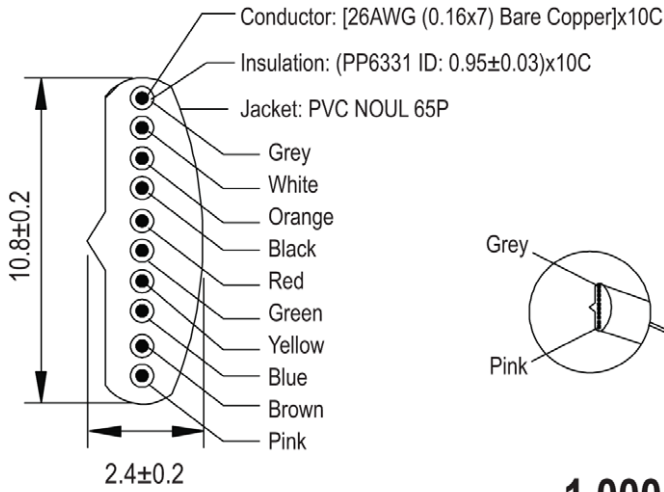
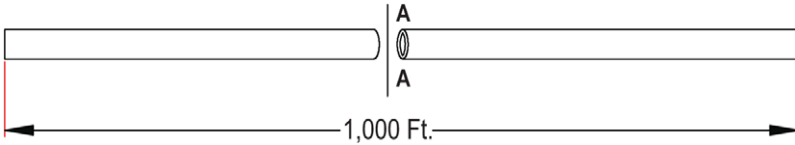
Click to view price, real time Inventory, Delivery & Lifecycle Information:

[ASSMANN WSW Components](#)

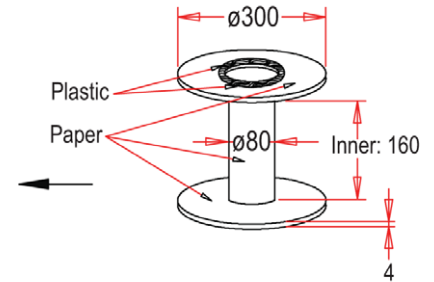
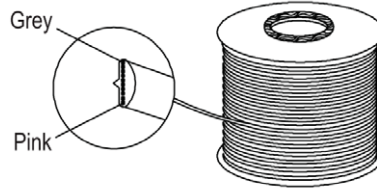
[AT-K-26-10-B/1000](#)

For any questions, you can email us directly:

[sales@integrated-circuit.com](mailto:sales@integrated-circuit.com)



Sec: A - A



1,000Ft/R. "PE" Foam Wrapped

Unit: MM

Scale	1:1					Name
TOLERANCE					Drawn	12.19.11 Chappell
X.X	±0.40				Approved	
X.XX	±0.25					
X.XXX	±0.15					
Angle	±3°					
Modification		Date	Name			

Item No.	<b>AT-K-26-10-B/1000</b>	
Title	Modular Straight cable - Raw, 10 Contact, 26AWG, Black, 1,000Ft.	
Drawing No.		<b>rev00</b>
Replace		Sheet

