

Excellent Integrated System Limited

Stocking Distributor

Click to view price, real time Inventory, Delivery & Lifecycle Information:

[ASSMANN WSW Components](#)
[AT-K-26-8-S/1000](#)

For any questions, you can email us directly:
sales@integrated-circuit.com

1 2 3 4 5 6 7

A

B

C

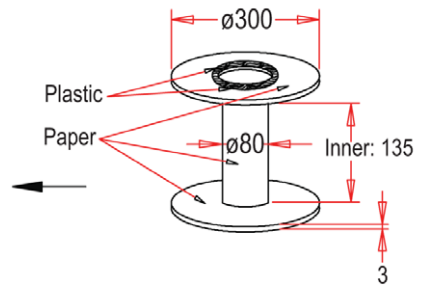
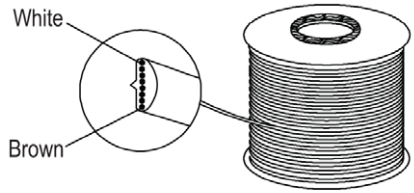
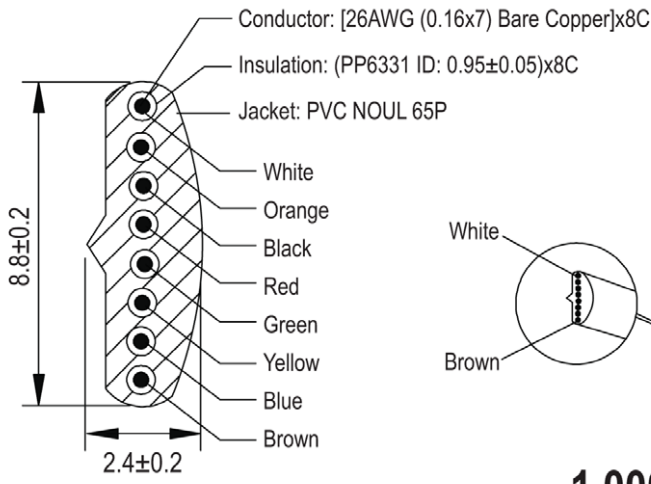
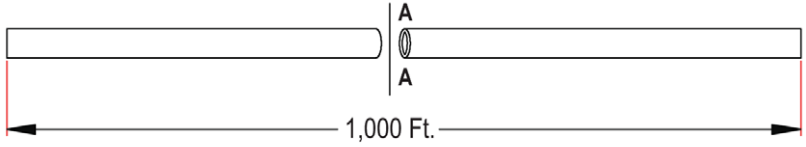
D

E

F

G

H



Sec: A - A

1,000Ft/R. "PE" Foam Wrapped

Voltage rating: 30V (DC)

Unit: MM



Scale	1:1					Name	Item No.	
TOLERANCE					Drawn	11.18.11	Chappell	
X.X	±0.40				Approved			
X.XX	±0.25							
X.XXX	±0.15							
Angle	±3°							
							Drawing No.	rev00
							Replace	
		Modification	Date	Name				

1 2 3 4 5 6 7