

Excellent Integrated System Limited

Stocking Distributor

Click to view price, real time Inventory, Delivery & Lifecycle Information:

[Molex Connector Corporation](#)
[502426-6410](#)

For any questions, you can email us directly:
sales@integrated-circuit.com

10 9 8 7 6 5 4 3 2 1

F

E

D

C

B

A

F

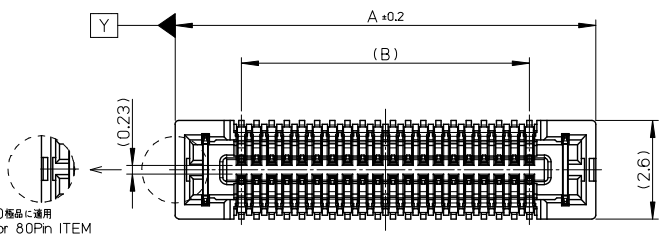
E

D

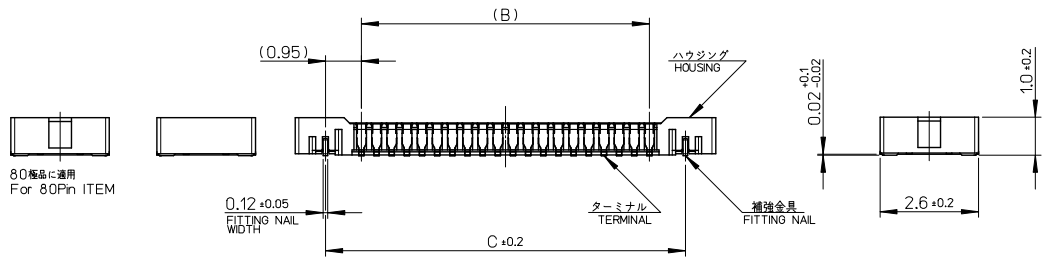
C

B

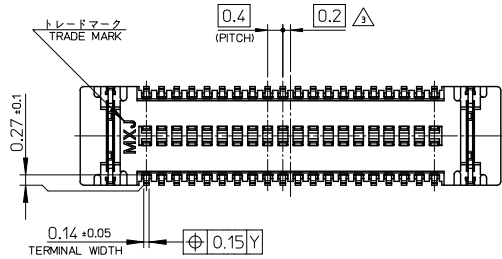
A



80極品に適用
For 80Pin ITEM



80極品に適用
For 80Pin ITEM



17.5	15.6	19.1	502426-8010	80
14.3	12.4	15.9	502426-6410	64
13.5	11.6	15.1	502426-6010	60
11.5	9.6	13.1	502426-5010	50
10.3	8.4	11.9	502426-4410	44
9.5	7.6	11.1	502426-4010	40
8.3	6.4	9.9	502426-3410	34
7.9	6.0	9.5	502426-3210	32
7.5	5.6	9.1	502426-3010	30
6.7	4.8	8.3	502426-2610	26
6.3	4.4	7.9	502426-2410	24
5.9	4.0	7.5	502426-2210	22
5.5	3.6	7.1	502426-2010	20
4.3	2.4	5.9	502426-1410	14
3.1	1.2	4.7	502426-0810	8
C	B	A	EMBOSSED PACKAGE オーダー番号 ORDER No.	極数 CIRCUITS

REVISED EC NO. J2011-1598 DRAWN BY: 2011/05/23 CHIKO-TAKAWA APPR: MSASAO 2011/06/16	GENERAL TOLERANCES (UNLESS SPECIFIED)	DIMENSION STYLE MM ONLY	SCALE 10:1	DESIGN UNITS METRIC	THIRD ANGLE PROJECTION	
	10 UNDER ± --- 10 OVER 30 UNDER ± --- 30 OVER ± --- ANGULAR ± --- °	DRAWN BY: RTAKEUCHI DATE: 2007/10/03 CHECKED BY: MSASAO DATE: 2007/10/03 APPROVED BY: MSASAO DATE: 2007/10/03	TITLE 0.4 B-TO-B CONN. HGT=1.0 W=2.6 REC ASSY	CONNECTOR SERIES No. 502426-***19		
	DRAFT WHERE APPLICABLE MUST REMAIN WITHIN DIMENSIONS	MATERIAL NO. SEE TABLE	MOLEX INCORPORATED	DOCUMENT NO. SD-502426-001	SHEET NO. 1 OF 2	
	THIS DRAWING CONTAINS INFORMATION THAT IS PROPRIETARY TO MOLEX INCORPORATED AND SHOULD NOT BE USED WITHOUT WRITTEN PERMISSION					

注記 NOTES

1. 使用材料 MATERIAL

ハウジング: 液晶ポリマー (LCP) ガラス充填 UL94V-0 (黒)
HOUSING: LIQUID CRYSTAL POLYMER (GLASS FILLED) UL94V-0 (COLOR: BLACK)

ターミナル: リン青銅 (t=0.1)
TERMINAL: PHOSPHOR BRONZE (t=0.1)

金具: リン青銅 (t=0.12)
FITTING NAIL: PHOSPHOR BRONZE (t=0.12)

2. メッキ仕様 PLATING

ターミナル TERMINAL

コンタクト部: 金メッキ 0.1 マイクロメートル以上
CONTACT AREA: GOLD 0.1 MICROMETER MINIMUM.

テール部: 金メッキ 0.05 マイクロメートル以上
TAIL AREA: GOLD 0.05 MICROMETER MINIMUM.

下地メッキ: ニッケルメッキ 1.0 マイクロメートル以上
UNDER PLATING: NICKEL 1.0 MICROMETER MINIMUM

※コンタクト部とテール部はニッケルメッキによって分断されている金メッキです。
DIVIDE INTO PARTS THE GOLD PLATING OF THE CONTACT AND THE TAIL PART BY THE NICKEL PLATING.

※封孔処理品

金具 FITTING NAIL

フラッシュ金メッキ

FLASH Au PLATING

下地メッキ: ニッケルメッキ 1.0 マイクロメートル以上
UNDER PLATING: NICKEL 1.0 MICROMETER MINIMUM

△ (全極数/2) = 偶数の場合に適用。
APPLY FOR (CIRCUIT/2)-EVEN.

4. 嵌合相手: 502430 シリーズ
MATE WITH: 502430 SERIES.

5. テール平坦度は、0.08 以下

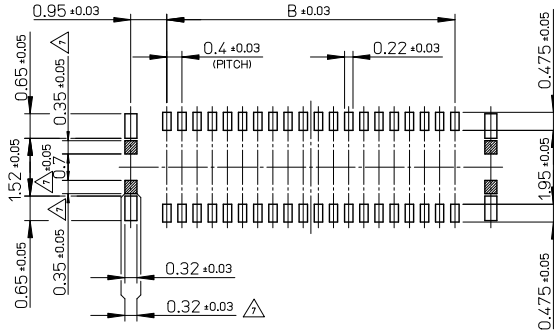
テール及び金具の平坦度は、0.1 以下
TAIL COPLANARITY TO BE 0.08 MAXIMUM.
TAIL AND FITTING NAIL COPLANARITY TO BE 0.1 MAXIMUM.

6. ELV 及び RoHS 適合品

ELV AND RoHS COMPLIANT.

△ 斜線部はパターン書込み禁止範囲と半田禁止範囲を示す。

ただし、斜線部に補強金具と同一配線を配置する場合はレジストを施し、この部分に半田は無きこと。
NO PATTERN CIRCUIT AND NO SOLDER ALLOWED IN THE SHADED AREA.
HOWEVER, IF NEEDED TO ADD A TRACE OF THE SAME CIRCUIT, PUT THE SOLDER-RESIST.
YET NO SOLDER ALLOWED IN THE AREA.

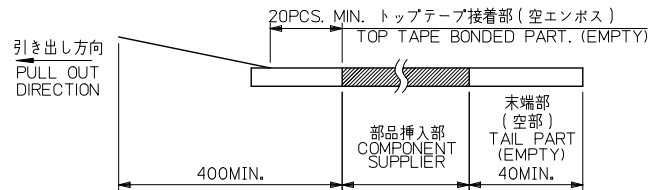


P.C. BOARD PATTERN LAYOUT
(REFERENCE)

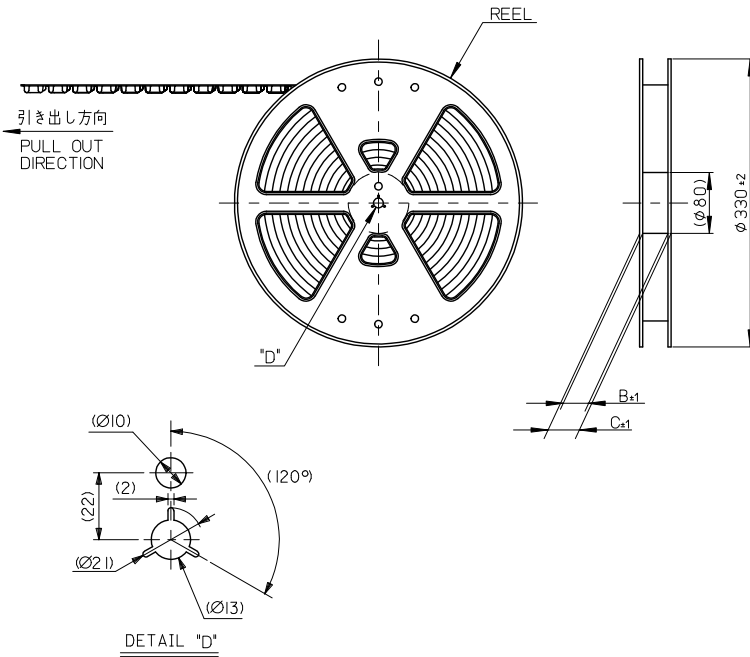
REVISED EC NO. J2011-1598 DRAWN BY DRWANKT0Y0DA 2011/05/23 CHKD: TASHAKAWA 2011/05/25 APPR: MSASAO 2011/06/16	GENERAL TOLERANCES (UNLESS SPECIFIED)		DIMENSION STYLE MM ONLY	SCALE 10:1	DESIGN UNITS METRIC	THIRD ANGLE PROJECTION	
	10 UNDER	±---	DRAWN BY RTAKEUCHI	DATE 2007/10/03	TITLE 0.4 B-TO-B CONN. HGT=1.0 W=2.6 REC ASSY		
	10 OVER	±---	CHECKED BY MSASAO	DATE 2007/10/03	MOLEX INCORPORATED		
	30 OVER	±---	APPROVED BY MSASAO	DATE 2007/10/03	MATERIAL NO. SEE SHEET 1	DOCUMENT NO. SD-502426-001	SHEET NO. 2 OF 2
ANGULAR	±---	DRAFT WHERE APPLICABLE MUST REMAIN WITHIN DIMENSIONS					THIS DRAWING CONTAINS INFORMATION THAT IS PROPRIETARY TO MOLEX INCORPORATED AND SHOULD NOT BE USED WITHOUT WRITTEN PERMISSION

注記 NOTES

1. 製品詳細寸法については製品単体図面を参照下さい。
RE DETAILED DIMENSION, SEE PRODUCT DRAWING.
2. 梱包数量: 3000 個/リール
NUMBER OF CONNECTORS : 3000PCS/REEL
3. リードテープ長さ LEAD TAPE LENGTH

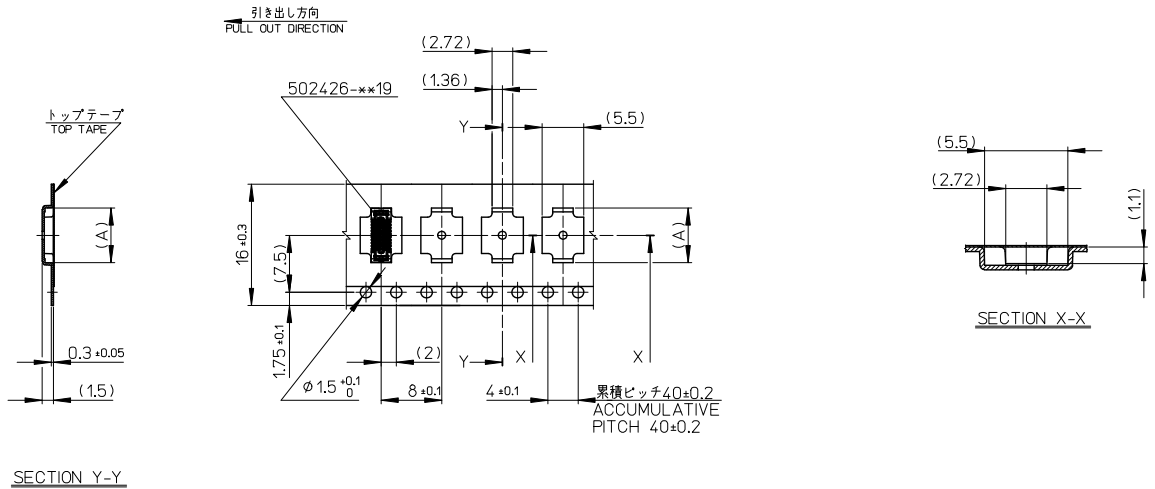


4. 材料 MATERIAL
キャリアテープ (CARRIER TAPE): ポリスチレン (POLYSTYRENE)
トップテープ (TOP TAPE): PET, OTHER
リール (REEL): ポリスチレン (PS) <リサイクル材を含む>
POLYSTYRENE (PS) <RECYCLE MATERIAL CONTAINED>
5. ELV 及び RoHS適合品
ELV AND RoHS COMPLIANT



REVISED EC NO: J2011-0016 DRAWN: TANI GUCHI 2010/07/05 CHKD: MSASAO 2010/07/05 APPR: MSASAO 2010/07/07	DESCRIPTION	GENERAL TOLERANCES (UNLESS SPECIFIED)		DIMENSION STYLE	SCALE	MODEL NO.	502426-**10
				MM ONLY	---	DESIGN UNITS	METRIC
		10 UNDER	±---	DRAWN BY	DATE	THIRD ANGLE PROJECTION	
		10 OVER 30 UNDER	±---	RTAKEUCHI	2007/10/03	TITLE	
		30 OVER	±---	CHECKED BY	DATE	MOLEX INCORPORATED	
		ANGULAR	±---	MSASAO	2007/10/03	MATERIAL NO.	
		DRAFT WHERE APPLICABLE MUST REMAIN WITHIN DIMENSIONS		APPROVED BY	DATE	DOCUMENT NO.	
				MSASAO	2007/10/03	SD-502426-002	
				SEE TABLE		SHEET NO.	
				THIS DRAWING CONTAINS INFORMATION THAT IS PROPRIETARY TO MOLEX INCORPORATED AND SHOULD NOT BE USED WITHOUT WRITTEN PERMISSION		1 OF 4	

10 9 8 7 6 5 4 3 2 1

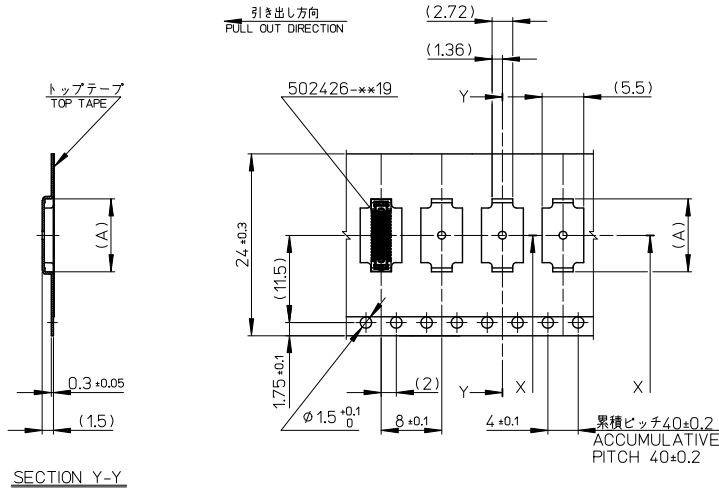


16mm 幅キャリアテープ
16mm WIDTH CARRIER TAPE

16	21.4	17.4	8.42	502426-2610	26
			8.02	502426-2410	24
			7.62	502426-2210	22
			7.22	502426-2010	20
			6.02	502426-1410	14
4.82	502426-0810	8			
キャリアテープ幅 CARRIER TAPE WIDTH			(A)	MATERIAL No.	CKT.
				MODEL No.	502426-**10

REVISED EC NO. J2011-0016 DRAWN: TANI GUCHI 10/2010/07/05 CHKD: MSASAO 2010/07/05 APPR: MSASAO 2010/07/07	GENERAL TOLERANCES (UNLESS SPECIFIED)	DIMENSION STYLE MM ONLY	SCALE ---	DESIGN UNITS METRIC	THIRD ANGLE PROJECTION
	10 UNDER ±---	DRAWN BY RTAKEUCHI	DATE 2007/10/03	TITLE 0.4 B-TO-B CONN. HGT=1.0 REC ASSY EMBSTP PKG	
	10 OVER ±---	CHECKED BY MSASAO	DATE 2007/10/03	MOLEX INCORPORATED	
	30 OVER ±---	APPROVED BY MSASAO	DATE 2007/10/03	DOCUMENT NO. SD-502426-002	
ANGULAR ±---	DRAFT WHERE APPLICABLE MUST REMAIN WITHIN DIMENSIONS		MATERIAL NO.	SEE TABLE	SHEET NO. 2 OF 4
J	SIZE A3		THIS DRAWING CONTAINS INFORMATION THAT IS PROPRIETARY TO MOLEX INCORPORATED AND SHOULD NOT BE USED WITHOUT WRITTEN PERMISSION		

10 9 8 7 6 5 4 3 2 1

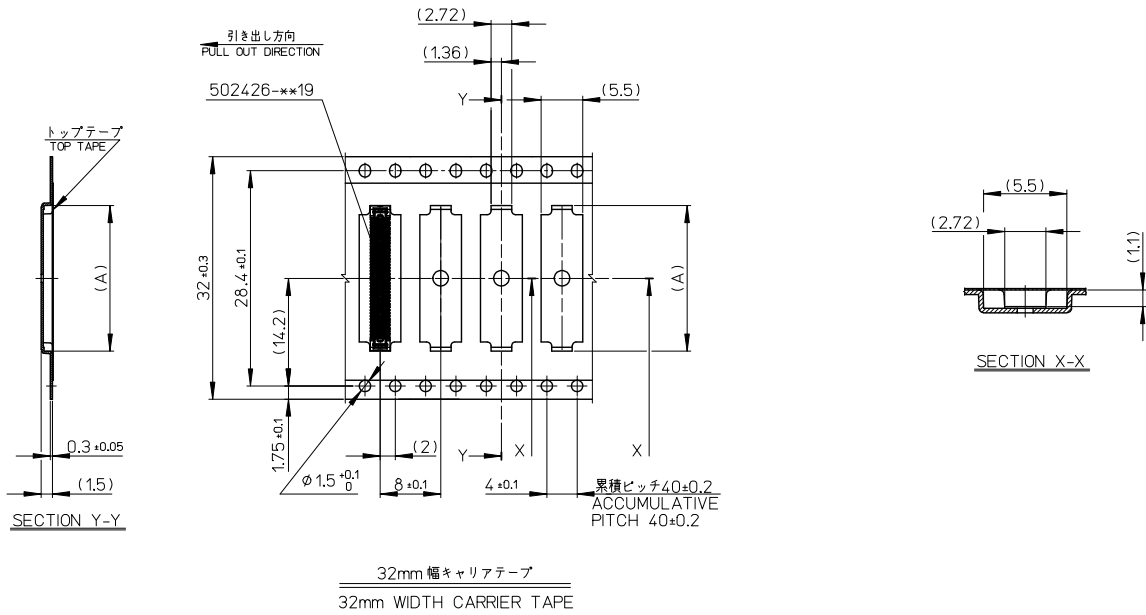


24mm 幅キャリアテープ
24mm WIDTH CARRIER TAPE

24	29.4	25.4	16.02	502426-6410	64
			15.22	502426-6010	60
			13.22	502426-5010	50
			12.02	502426-4410	44
			11.22	502426-4010	40
			10.02	502426-3410	34
			9.62	502426-3210	32
9.22	502426-3010	30			
キャリアテープ幅 CARRIER TAPE WIDTH			(A)	MATERIAL No.	CKT.
				MODEL No.	502426-6410

REVISED J	DESCRIPTION	GENERAL TOLERANCES (UNLESS SPECIFIED)	DIMENSION STYLE MM ONLY	SCALE ---	DESIGN UNITS METRIC	THIRD ANGLE PROJECTION
	REV	10 UNDER ±---	DRAWN BY RTAKEUCHI	DATE 2007/10/03	TITLE 0.4 B-TO-B CONN. HGT=1.0 REC ASSY EMBSTP PKG	
		10 OVER ±---	CHECKED BY MSASAO	DATE 2007/10/03	MOLEX INCORPORATED	
		30 OVER ±---	APPROVED BY MSASAO	DATE 2007/10/03	DOCUMENT NO. SD-502426-002	
	ANGULAR ±---	DRAFT WHERE APPLICABLE MUST REMAIN WITHIN DIMENSIONS	MATERIAL NO.	SIZE A3	THIS DRAWING CONTAINS INFORMATION THAT IS PROPRIETARY TO MOLEX INCORPORATED AND SHOULD NOT BE USED WITHOUT WRITTEN PERMISSION	

10 9 8 7 6 5 4 3 2 1



32	37.4	33.4	19.22	502426-8010	80
キャリアテープ幅 CARRIER TAPE WIDTH			C	B	(A)
				MATERIAL No.	502426-8010
				MODEL No.	502426-**10

REVISED EC NO. J2011-0016 DRAWN: TANI GUCHI 2010/07/05 CHIKO MSASAO 2010/07/05 APPROV: MSASAO 2010/07/07 REV J	GENERAL TOLERANCES (UNLESS SPECIFIED)	DIMENSION STYLE MM ONLY	SCALE ---	DESIGN UNITS METRIC	THIRD ANGLE PROJECTION
	10 UNDER ±---	DRAWN BY RTAKEUCHI	DATE 2007/10/03	TITLE 0.4 B-TO-B CONN. HGT=1.0 REC ASSY EMBSTP PKG	
	10 OVER ±---	CHECKED BY MSASAO	DATE 2007/10/03	MOLEX INCORPORATED	
	30 OVER ±---	APPROVED BY MSASAO	DATE 2007/10/03	DOCUMENT NO. SD-502426-002	
ANGULAR ±---	DRAFT WHERE APPLICABLE MUST REMAIN WITHIN DIMENSIONS		SEE TABLE	SHEET NO. 4 OF 4	
SIZE A3			THIS DRAWING CONTAINS INFORMATION THAT IS PROPRIETARY TO MOLEX INCORPORATED AND SHOULD NOT BE USED WITHOUT WRITTEN PERMISSION		