

Excellent Integrated System Limited

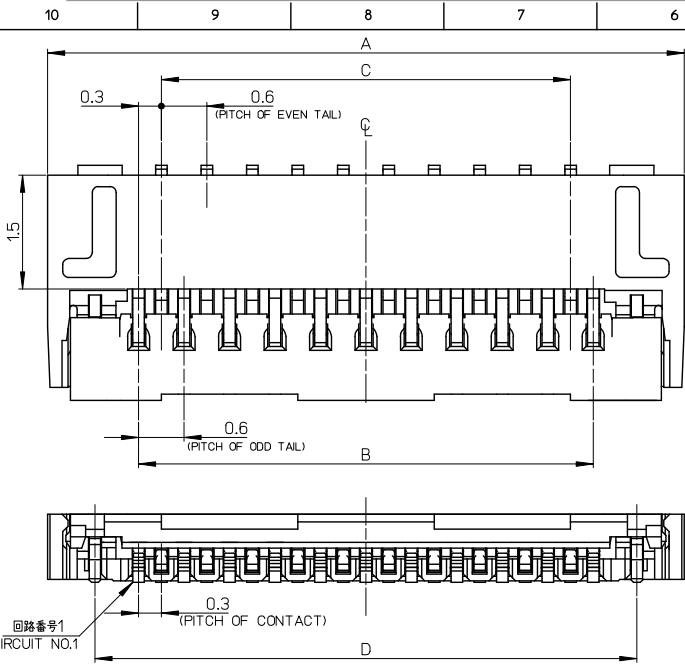
Stocking Distributor

Click to view price, real time Inventory, Delivery & Lifecycle Information:

[Molex Connector Corporation](#)
[501628-3391](#)

For any questions, you can email us directly:

sales@integrated-circuit.com



注記
NOTES:

1.材質

MATERIAL

ハウジング: LCP (液晶ポリマー)、ガラス充填、UL94V-0
HOUSING: LCP (LIQUID CRYSTAL POLYMER),
GLASS FILLED, UL94V-0
アクチュエータ: ナイロン、ガラス充填、UL94V-0
ACTUATOR: NYLON (POLYAMIDE),
GLASS FILLED, UL94V-0
ターミナル: 銅合金 (t=0.15)
TERMINAL: COPPER ALLOY (t=0.15)
金具: 銅合金 (t=0.15)
NAIL: COPPER ALLOY (t=0.15)

2.めっき仕様

PLATING

ターミナル

TERMINAL

部分めっき

SEPARATED GOLD PLATING

下地ニッケルめっき

UNDER PLATING: NICKEL PLATING

金具

NAIL

めっき

TIN PLATING

下地ニッケルめっき

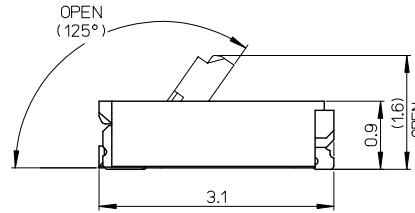
UNDER PLATING: NICKEL PLATING

3.平坦度は、0.1ミリ以下とする。

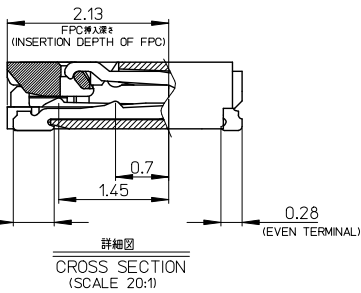
TAILS COPLANARITY TO BE 0.1 MAXIMUM.

4.ELV及びRoHS適合品

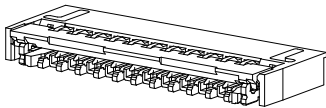
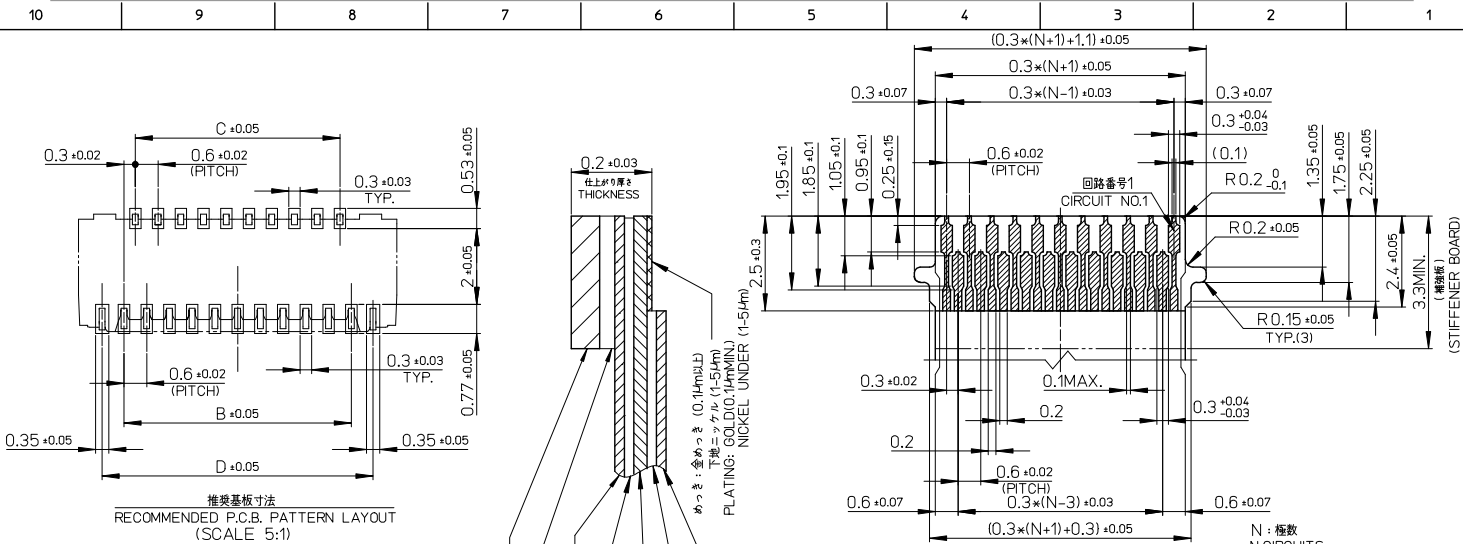
ELV AND RoHS COMPLIANT



0.10	16.15	14.4	15	17.4	501628-5191	51
0.089	14.35	12.6	13.2	15.6	501628-4591	45
0.078	12.55	10.8	11.4	13.8	501628-3991	39
0.075	11.95	10.2	10.8	13.2	501628-3791	37
0.071	11.35	9.6	10.2	12.6	501628-3591	35
0.067	10.75	9.0	9.6	12.0	501628-3391	33
0.064	10.15	8.4	9	11.4	501628-3191	31
0.056	8.95	7.2	7.8	10.2	501628-2791	27
0.046	7.15	5.4	6	8.4	501628-2191	21
0.028	4.15	2.4	3	5.4	501628-1191	11
重さ (g) WEIGHT (g)	D	C	B	A	EMBOSSED PACKAGE オーダー番号 ORDER No.	極数 CIRCUITS



REVISED EC NO. J2010-0068 DRAWN BY: DRWANKUSATO 2009/07/30 CHECKED BY: CHIKOSHIMUYAMA 2009/07/31 APPROVED BY: APRR-KMORIKAWA 2009/07/31	GENERAL TOLERANCES (UNLESS SPECIFIED)		DIMENSION STYLE	SCALE	DESIGN UNITS	THIRD ANGLE PROJECTION	
	10 UNDER	± 0.2	MM ONLY	40:1	METRIC	⊙ □	
	10 OVER 30 UNDER	± 0.25					
	30 OVER	± 0.3					
	ANGULAR	± 1 °					
	DRAFT WHERE APPLICABLE MUST REMAIN WITHIN DIMENSIONS		SEE TABLE				
			CONNECTOR SERIES No. 501628-**11		TITLE		
			DRAWN BY: HSHI MOYAMA 2005/03/25		0.3 FPC CONN. (H=0.9)		
			CHECKED BY: HHIRATA 2005/03/25		HS'G ASSY BOTTOM CONTACT		
			APPROVED BY: MSASAO 2005/03/25		NICKEL BARRIER		
			MATERIAL NO.		MOLEX INCORPORATED		
			DOCUMENT NO.		SD-501628-001		
			SHEET NO.		1 OF 2		
			THIS DRAWING CONTAINS INFORMATION THAT IS PROPRIETARY TO MOLEX INCORPORATED AND SHOULD NOT BE USED WITHOUT WRITTEN PERMISSION				



ISO VIEW (参考)

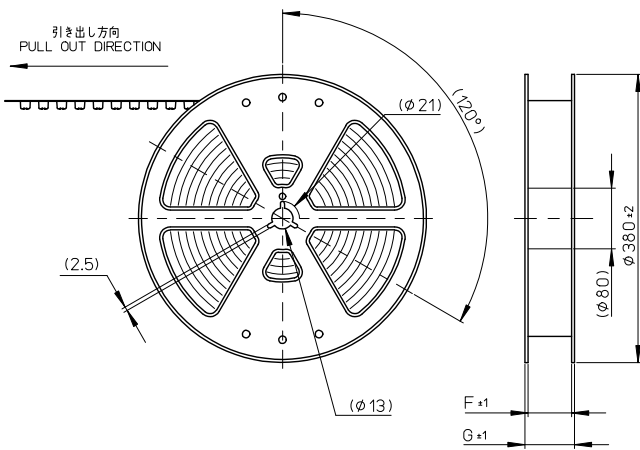
FPCについて:
抜き方向は、導体側から補強板側を推奨致します。
補強フィルム材質は、ポリイミドを推奨致します。
接着剤は熱硬化接着剤を推奨致します。
尚、接着剤の接点部への付着は導通不良の原因になりますので、
ぬみ出しが無い様、お願い致します。

ABOUT FPC:
RECOMMENDED PUNCHER DIRECTION:
FROM CONDUCTOR SIDE TO STIFFENER FILM SIDE.
RECOMMENDED MATERIAL:
STIFFENER FILM: POLYIMIDE
BONDING AGENT: THERMOSETTING AGENT
PLEASE PUT APPROPRIATE AMOUNT OF ADHESIVE ON THE
CONTACT AREA BECAUSE THE EXTRA ADHESIVE MAY CAUSE
THE DEFECT IN ELECTRICAL CONTINUITY.

REVISED EC NO. J2010-0068 DRAWN BY: DRWANKUSATO 2009/07/30 CHECKED BY: CHIKDHSHIYAMA 2009/07/31 APPROVED BY: APPR:KORIKAWA 2009/07/31	GENERAL TOLERANCES (UNLESS SPECIFIED)		DIMENSION STYLE	SCALE	DESIGN UNITS	THIRD ANGLE PROJECTION	
	10 UNDER	± 0.2	MM ONLY	40:1	METRIC		
	10 OVER 30 UNDER	± 0.25					
	30 OVER	± 0.3					
	ANGULAR	± 1 °					
	DRAFT WHERE APPLICABLE MUST REMAIN WITHIN DIMENSIONS		SEE TABLE	DOCUMENT NO.	SHEET NO.		
				SD-501628-001	2 OF 2		
	THIS DRAWING CONTAINS INFORMATION THAT IS PROPRIETARY TO MOLEX INCORPORATED AND SHOULD NOT BE USED WITHOUT WRITTEN PERMISSION						

10 9 8 7 6 5 4 3 2 1

引き出し方向
PULL OUT DIRECTION



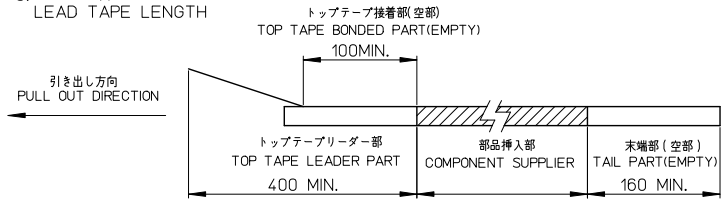
注記)

NOTES

1.製品番号501628-***11の詳細寸法は、製品単体図面を参照下さい。
IN THE PACKAGE PART NUMBER 501628-***11 DETAIL DIMENSIONS, SEE SALES DRAWING FOR CONNECTOR.

2.梱包数量:3000個/リール
NUMBER OF CONNECTORS : 3000 PCS/REEL

3.リードテープ長さ
LEAD TAPE LENGTH



4.トップテープの剥離強度 (剥離方向は下図参照)

PEELING OFF FORCE OF TOP TAPE (PEELING DIRECTION AS SHOWN IN FOLLOWING FIGURE)

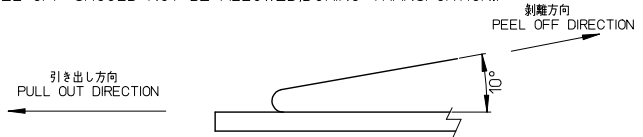
0.1-1.3N (10-130gf)

尚、本規格値は出荷時に適用。

THIS REQUIREMENT SHOULD BE APPLIED AT SHIPMENT.

(但し、輸送時に剥離が発生しないこと)

(PEEL OFF SHOULD NOT BE ALLOWED DURING TRANSPORTION.)



5.材料

MATERIAL

キャリアテープ:ポリスチレン (PS)

CARRIER TAPE:POLYSTYRENE(PS)

トップテープ:PET,PE,PEF

TOP TAPE :PET,PE,PEF

リール:ポリスチレン

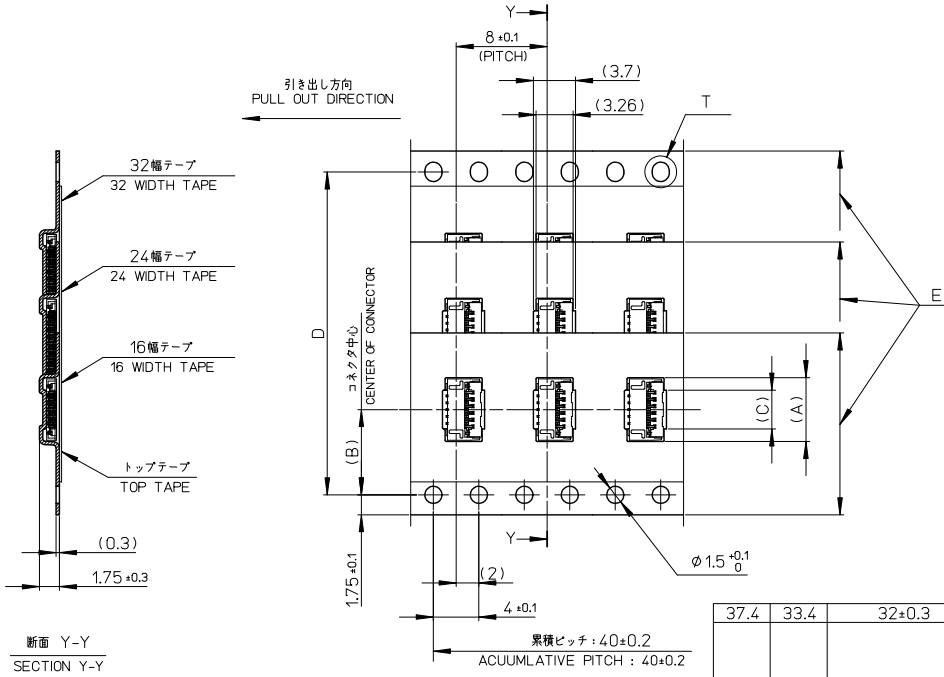
REEL:POLYSTYLENE

6.ELV及びRoHS適合品

ELV AND RoHS COMPLIANT

REVISED EC NO. J2010-0068 DRAWN BY: DRANKUSATO 2009/07/30 CHECKED BY: CHIKOSHIMUYAMA 2009/07/31 APPROVED BY: MORIKAWA 2009/07/31	GENERAL TOLERANCES (UNLESS SPECIFIED)		DIMENSION STYLE	SCALE	DESIGN UNITS	THIRD ANGLE PROJECTION
			MM ONLY	---	METRIC	
	10 UNDER	± ---	DRAWN BY DATE	0.3 FPC CONN.(FOR 501628-***11) TAPING PACKAGE NICKEL BARRIER		
	10 OVER 30 UNDER	± ---	HSI MOYAMA 2005/08/22			
30 OVER	± ---	CHECKED BY DATE				
ANGULAR	± --- °	APPROVED BY DATE	MOLEX INCORPORATED			
DRAFT WHERE APPLICABLE MUST REMAIN WITHIN DIMENSIONS		MATERIAL NO.	SEE TABLE	DOCUMENT NO.	SD-501628-003	
		SIZE	THIS DRAWING CONTAINS INFORMATION THAT IS PROPRIETARY TO MOLEX INCORPORATED AND SHOULD NOT BE USED WITHOUT WRITTEN PERMISSION			

10 9 8 7 6 5 4 3 2 1



37.4	33.4	32±0.3	28.4	15.4	14.2	17.6	501628-5191	51
29.4	25.4	24±0.3	--	13.6	11.5	15.8	501628-4591	45
				11.8		14	501628-3991	39
				11.2		13.4	501628-3791	37
				10.6		12.8	501628-3591	35
				10.0		12.2	501628-3391	33
21.4	17.4	16±0.3		9.4	7.5	11.6	501628-3191	31
				8.2		10.4	501628-2791	27
				6.4		8.6	501628-2191	21
				3.4		5.6	501628-1191	11
G	F	E	D	C	B	A	製品番号 MATERIAL NO.	極数 CIRCUITS

REVISED EC NO. J2010-0068 DRAWN BY: DRWANKUSATO 2009/07/30 CHECKED BY: CHIKDHSIMUYAMA 2009/07/31 APPROVED BY: APPR-KMORIKAWA 2009/07/31	GENERAL TOLERANCES (UNLESS SPECIFIED)		DIMENSION STYLE MM ONLY		SCALE ---	DESIGN UNITS METRIC	THIRD ANGLE PROJECTION	
	10 UNDER	±---	DRAWN BY	DATE	TITLE			
	10 OVER 30 UNDER	±---	HSHI MOYAMA	2005/08/22	0.3 FPC CONN.(FOR 501628 --**11) TAPING PACKAGE NICKEL BARRIER			
	30 OVER	±---	HIRATA	2005/08/22	MOLEX INCORPORATED			
	ANGULAR	±--- °	APPROVED BY	DATE	MATERIAL NO. DOCUMENT NO.			
DRAFT WHERE APPLICABLE MUST REMAIN WITHIN DIMENSIONS		SEE TABLE		SD-501628-003		SHEET NO. 2 OF 2		
SIZE A3		THIS DRAWING CONTAINS INFORMATION THAT IS PROPRIETARY TO MOLEX INCORPORATED AND SHOULD NOT BE USED WITHOUT WRITTEN PERMISSION						