

Excellent Integrated System Limited

Stocking Distributor

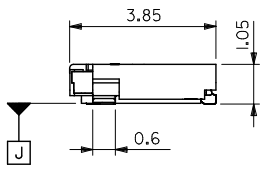
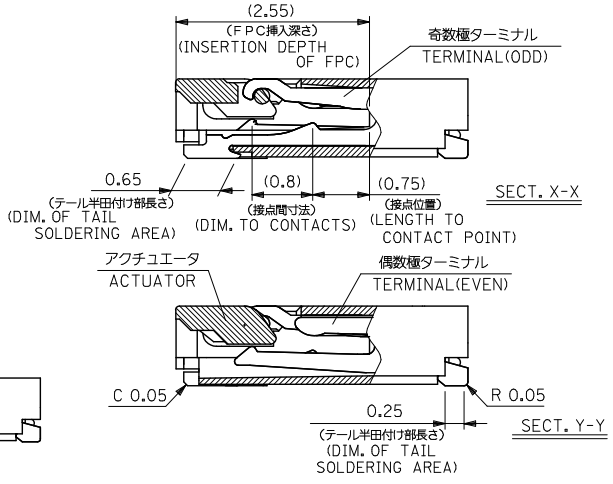
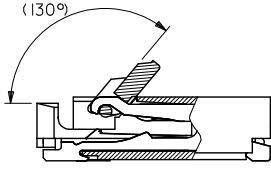
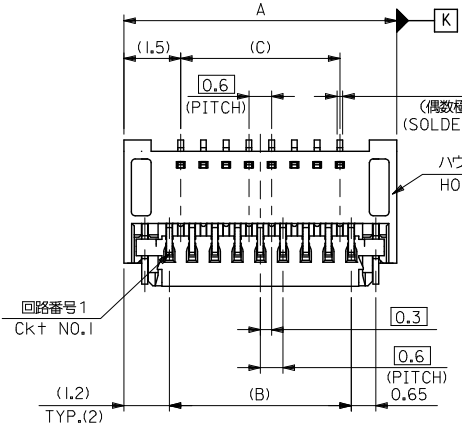
Click to view price, real time Inventory, Delivery & Lifecycle Information:

[Molex Connector Corporation](#)
[500797-2794](#)

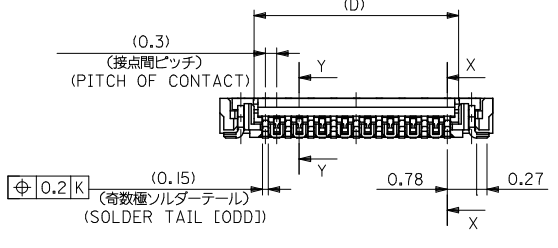
For any questions, you can email us directly:

sales@integrated-circuit.com

10 9 8 7 6 5 4 3 2 1



10.2	9.0	9.6	12.0	500797-3394	500797-3350	33
9.6	8.4	9.0	11.4	500797-3194	500797-3150	31
8.4	7.2	7.8	10.2	500797-2794	500797-2750	27
7.2	6.0	6.6	9.0	500797-2394	500797-2350	23
3.6	2.4	3.0	5.4	500797-1194	500797-1150	11
D	C	B	A	EMBOSSED TAPE	MATERIAL NO.	CKT.
				ORDER No. オオーダー番号	MODEL No.	

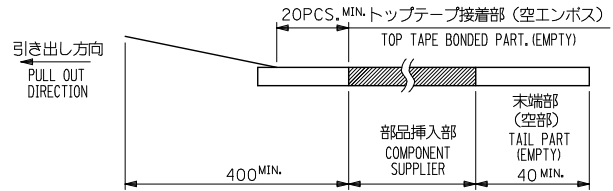
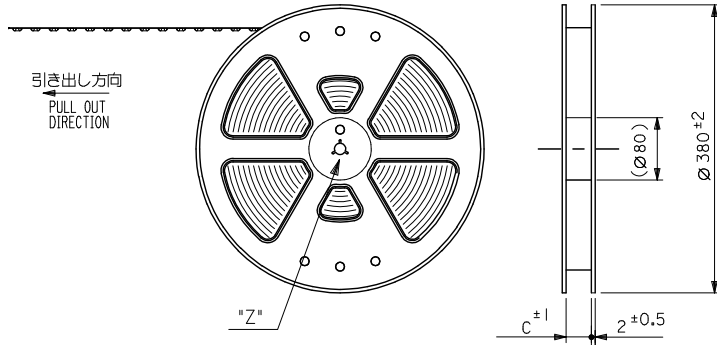


REVISED EC NO: J2016-1099 DRAWN: TAKAHASHI 04/2016/04/19 CHECKED: TAKAHASHI 2016/04/26 APPR: IKUSUHARA01 2016/04/28 REV DESCRIPTION	GENERAL TOLERANCES (UNLESS SPECIFIED)		DIMENSION STYLE MM ONLY		SCALE ---	DESIGN UNITS METRIC	THIRD ANGLE PROJECTION
	0.25 UNDER	UNDER	±0.03	DRAWN BY	DATE	TITLE 0.3 FPC CONN E/O HSG ASSY (HGT=1.05MM) GOLD PLATING -LEAD FREE-	
	0.25 OVER	0.5 UNDER	±0.05	CHECKED BY	DATE	molex	
	0.5 OVER	1.0 UNDER	±0.1	MTANAKA	2006/03/07	DOCUMENT NO.	SHEET NO.
	1.0 OVER	10 UNDER	±0.2	APPROVED BY	DATE	SD-500797-005	1 OF 2
10 OVER	30 UNDER	±0.25	NUKITA	2006/03/07	SEE TABLE		
30 OVER		±0.3	MATERIAL NO.		THIS DRAWING CONTAINS INFORMATION THAT IS PROPRIETARY TO MOLEX ELECTRONIC TECHNOLOGIES, LLC AND SHOULD NOT BE USED WITHOUT WRITTEN PERMISSION		
ANGULAR ±3 °		DRAFT WHERE APPLICABLE MUST REMAIN WITHIN DIMENSIONS		SIZE A3			

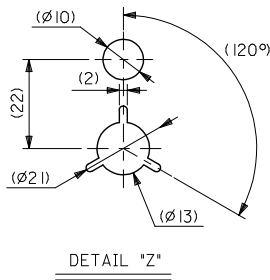
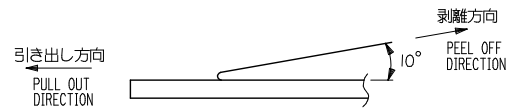
9 8 7 6 5 4 3 2 1

NOTES

1. 製品詳細寸法については図面 SD-500797-005 を参照下さい。
RE DETAILED DIMENSION, SEE SD-500797-005
2. 梱包数量: 3000個/リール
NUMBER OF CONNECTORS : 3000PCS/REEL
3. リードテープ長さ LEAD TAPE LENGTH



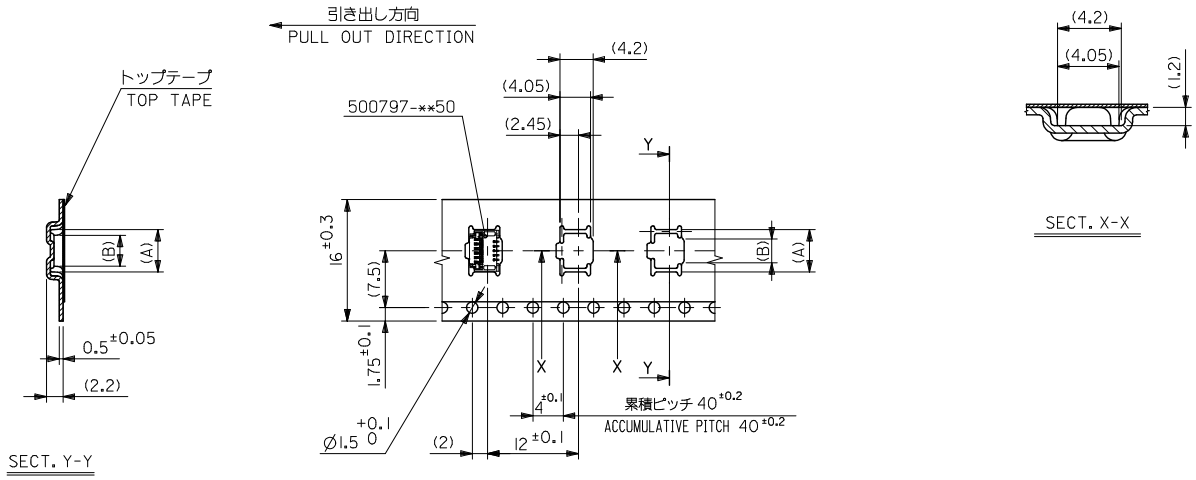
4. トップテープの剥離強度: 0.1N ~ 1.3N(10.2gf ~ 132.6gf)
(剥離方向は下図参照)
尚、本規格値は出荷時に適用。(但し、輸送時に剥離が発生しないこと。)
PEELING OFF FORCE OF TOP TAPE : 0.1N ~ 0.7N(10.2gf ~ 71.4gf)
(PEELING DIRECTION AS SHOWN IN FOLLOWING FIG.)
THIS REQUIREMENT SHOULD BE APPLIED AT SHIPMENT.
PEEL OFF SHOULD NOT BE ALLOWED ,DURING TRANSPORTATION.



5. 材料 (MATERIAL)
キャリアテープ (CARRIER TAPE) : ポリプロピレン (POLYPROPYLENE)
トップテープ (TOPTAPE) : PET , PE , PEF
リール (REEL) : ポリスチレン (PS) <リサイクル材含む>
POLYSTYREN (PS) <RECYCLE MATERIAL CONTAINED>
6. C寸法は SHEET 2 ~ 4 を参照下さい。
SEE SHEET 2 ~ 4 (DIMENSION C).
7. 欠品無きこと。
THERE SHALL BE NO MISSING PRODUCTS.

REVISED EC NO: J2016-1099 DRAWN: TAKAHASHI 04/2016/04/19 CHKD: TAKAHASHI 2016/04/26 APPR: IKUSUHARA01 2016/04/28	GENERAL TOLERANCES (UNLESS SPECIFIED)		DIMENSION STYLE MM ONLY		SCALE ---	500797-***94	MODEL NO.	
	0.25 UNDER	UNDER	±0.03	DRAWN BY	DATE	DESIGN UNITS METRIC	THIRD ANGLE PROJECTION	
	0.25 OVER	0.5 UNDER	±0.05	YMAEDA	2006/03/07	◎	□	
	0.5 OVER	1.0 UNDER	±0.1	CHECKED BY	DATE	TITLE		
1.0 OVER	10 UNDER	±0.2	MTANAKA	2006/03/07	EMBSTP PKG FOR 0.3 FPC CONN (HGT=1.05MM) GOLD PLATING -LEAD FREE-			
10 OVER	30 UNDER	±0.25	APPROVED BY	DATE				
30 OVER		±0.3	NUKITA	2006/03/07				DOCUMENT NO.
ANGULAR	±3 °		MATERIAL NO.		SEE CHART			
DRAFT WHERE APPLICABLE MUST REMAIN WITHIN DIMENSIONS				SIZE A3	THIS DRAWING CONTAINS INFORMATION THAT IS PROPRIETARY TO MOLEX ELECTRONIC TECHNOLOGIES, LLC AND SHOULD NOT BE USED WITHOUT WRITTEN PERMISSION			

10 9 8 7 6 5 4 3 2 1



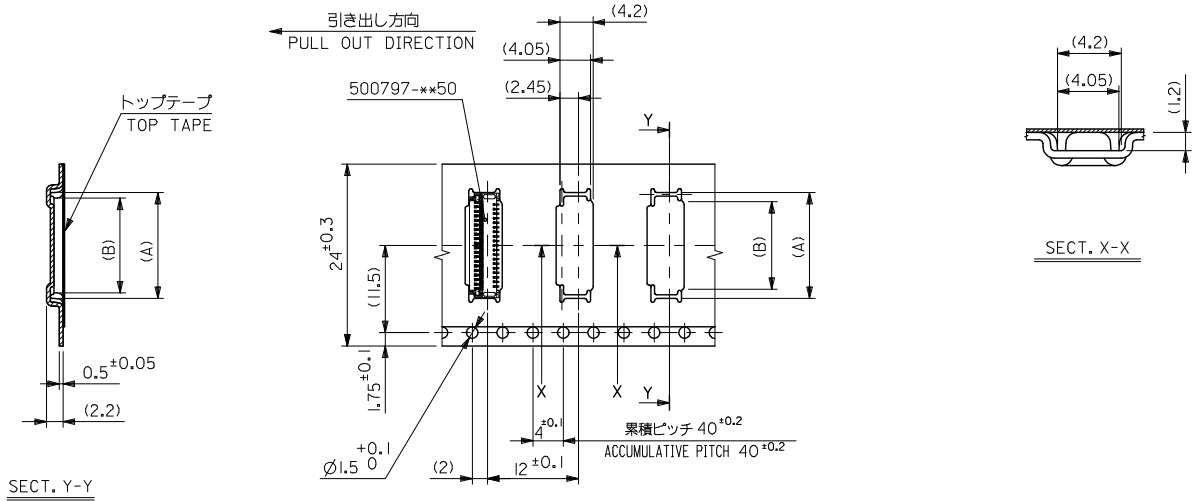
16mm幅キャリアテープ
16mm WIDTH CARRIER TAPE

16	17.5	3.4	5.6	500797-1194	11
キャリアテープ幅 CARRIER TAPE WIDTH	C	(B)	(A)	製品番号 MATERIAL No.	極致 Ck+
				500797-**94	MODEL No.

REVISED IEC NO. J2016-1099 G1 DRW:MTAKASHI 04/2016/04/19 CHK:DKTAKASHI 2016/04/26 APPR:IKUSUHARA01 2016/04/28 REV DESCRIPTION	GENERAL TOLERANCES (UNLESS SPECIFIED)		DIMENSION STYLE		SCALE	DESIGN UNITS	THIRD ANGLE PROJECTION
			MM ONLY		---	METRIC	
	0.25 UNDER UNDER ±0.03	0.25 OVER 0.5 UNDER ±0.03	DRAWN BY DATE		TITLE		
	0.5 OVER 4.0 UNDER ±0.1	4.0 OVER 10 UNDER ±0.2	YMAEDA 2006/03/07		EMBSTP PKG FOR 0.3 FPC CONN (HGT=1.05MM) GOLD PLATING -LEAD FREE-		
	10 OVER 30 UNDER ±0.25	30 OVER ±0.3	CHECKED BY DATE		DOCUMENT NO.		
ANGULAR ±3 °		MTANAKA 2006/03/07		SD-500797-006			
DRAFT WHERE APPLICABLE MUST REMAIN WITHIN DIMENSIONS		APPROVED BY DATE		SHEET NO.			
		NUKITA 2006/03/07		2 OF 3			
		MATERIAL NO.		THIS DRAWING CONTAINS INFORMATION THAT IS PROPRIETARY TO MOLEX ELECTRONIC TECHNOLOGIES, LLC AND SHOULD NOT BE USED WITHOUT WRITTEN PERMISSION			
		SEE CHART					

9 8 7 6 5 4 3 2 1

10 9 8 7 6 5 4 3 2 1



24mm幅キャリアテープ
24mm WIDTH CARRIER TAPE

24	25.5	10.0	12.2	500797-3394	33
		9.4	11.6	500797-3194	31
		8.2	10.4	500797-2794	27
		7.0	9.2	500797-2394	23
キャリアテープ幅 CARRIER TAPE WIDTH	C	(B)	(A)	製品番号 MATERIAL No.	極致 CK+
				500797-***94	MODEL No.

REVISED IEC NO. J2016-1099 G DRAWN:MTAKASHI 04/2016/04/19 CHIKDKTAKASHI 2016/04/26 APPR:IKUSUHARA01 2016/04/28 REV DESCRIPTION	GENERAL TOLERANCES (UNLESS SPECIFIED)		DIMENSION STYLE	SCALE	DESIGN UNITS	THIRD ANGLE PROJECTION EMBSTP PKG FOR 0.3 FPC CONN (HGT=1.05MM) GOLD PLATING -LEAD FREE- molex SEE CHART DOCUMENT NO. SD-500797-006 SHEET NO. 3 OF 3		
	±0.25	UNDER	UNDER	±0.03	DRAWN BY		DATE	
	±0.25	OVER	0.5	UNDER	±0.03		YMAEDA	2006/03/07
	±0.5	OVER	4.0	UNDER	±0.1		CHECKED BY	DATE
	±1.0	OVER	10	UNDER	±0.2		MTANAKA	2006/03/07
	±3.0	OVER	30	UNDER	±0.25		APPROVED BY	DATE
	ANGULAR	±3 °		±0.3	NUKITA	2006/03/07		
	DRAFT WHERE APPLICABLE MUST REMAIN WITHIN DIMENSIONS		SIZE	THIS DRAWING CONTAINS INFORMATION THAT IS PROPRIETARY TO MOLEX ELECTRONIC TECHNOLOGIES, LLC AND SHOULD NOT BE USED WITHOUT WRITTEN PERMISSION				
			A3					

9 8 7 6 5 4 3 2 1