

## Excellent Integrated System Limited

Stocking Distributor

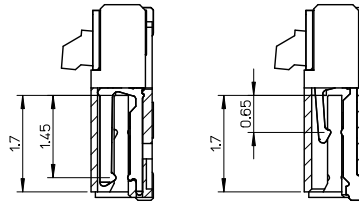
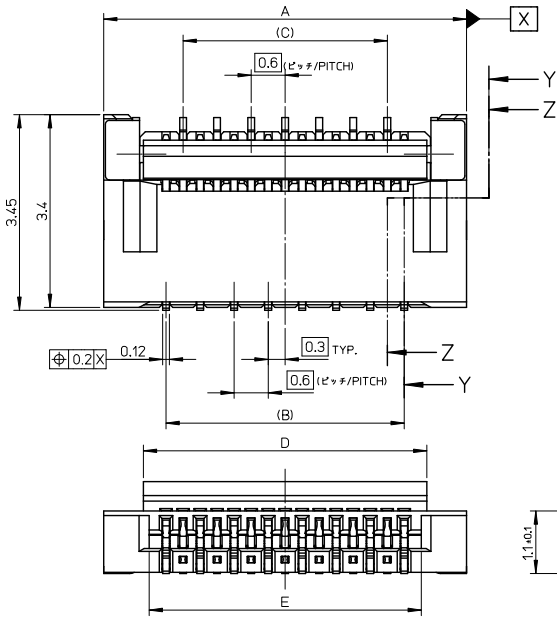
Click to view price, real time Inventory, Delivery & Lifecycle Information:

[Molex Connector Corporation](#)  
[501616-2775](#)

For any questions, you can email us directly:

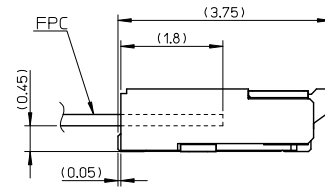
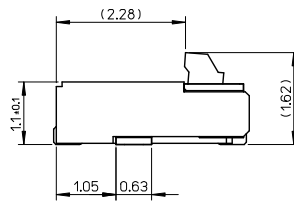
[sales@integrated-circuit.com](mailto:sales@integrated-circuit.com)

10 9 8 7 6 5 4 3 2 1



SECTION Z-Z

SECTION Y-Y



ACTUATOR CLOSE

部品構成

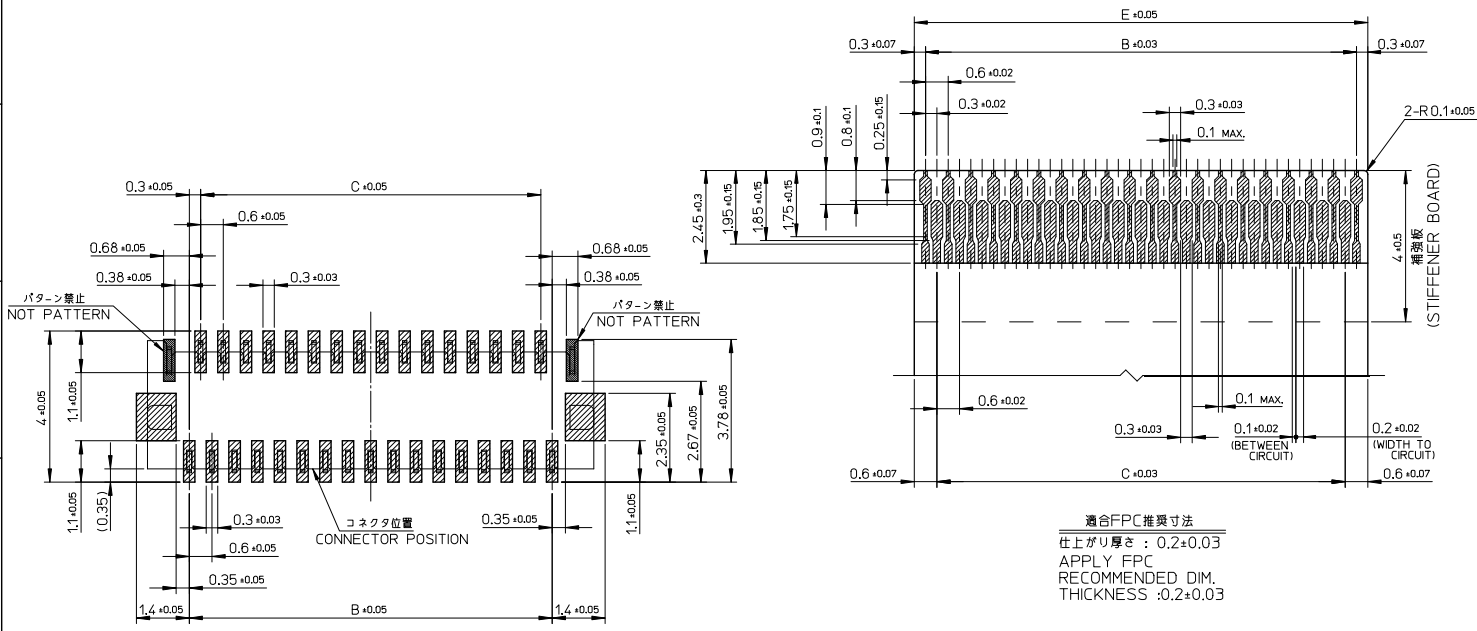
- ハウジング・・・材質：耐熱性樹脂 黒色 UL94V-0  
HOUSING  
MATERIAL :HEAT RESISTANT POLYMER BLACK UL94-V0
- 奇数ターミナル・・・材質：銅合金  
ODD TERMINAL MATERIAL :COPPER ALLOY  
処理：ニッケル下地部分金メッキ（接触部及びテール部）  
FINISH :PARTLY GOLD(CONTACT,TAIL) OVER NICKEL PLATING
- 偶数ターミナル・・・材質：銅合金  
EVEN TERMINAL MATERIAL:COPPER ALLOY  
処理：ニッケル下地部分金メッキ（接触部及びテール部）  
FINISH :PARTLY GOLD(CONTACT,TAIL) OVER NICKEL PLATING
- アクチュエータ・・・材質：耐熱性樹脂 灰色 UL94V-0  
ACTUATOR  
MATERIAL :HEAT RESISTANT POLYMER GRAY UL94-V0
- ネイル・・・材質：銅合金  
NAIL MATERIAL:COPPER ALLOY  
処理：ニッケル下地すずめっき  
FINISH :TIN OVER NICKEL PLATING

9.0	9.2	7.8	8.4	10.6	501616-2975	501616-2940	29
8.4	8.6	7.2	7.8	10.0	501616-2775	501616-2740	27
7.8	8.0	6.6	7.2	9.4	501616-2575	501616-2540	25
6.0	6.2	4.8	5.4	7.6	501616-1975	501616-1940	19

REVISED EC NO. J2015-1263 DRAWN: TAKAHASHI 04/2015/03/27 CHKD: TAKAHASHI 2015/03/27 APPR: YNOGAMA 2015/03/30	GENERAL TOLERANCES (UNLESS SPECIFIED)		DIMENSION STYLE MM ONLY		SCALE 15:1	DESIGN UNITS METRIC	THIRD ANGLE PROJECTION
	0.25 UNDER	±0.03	DRAWN BY	DATE	TITLE		
	0.25 OVER 0.5 UNDER	±0.05	K. TAKAHASHI	2006/07/28	0.3 FPC CONN. ZIF E/O HSG ASSY (H=1.1)		
	0.5 OVER 1.0 UNDER	±0.1	CHECKED BY	DATE			
	1.0 OVER 30 UNDER	±0.2	H. HIRATA	2006/07/28			
10 OVER 30 UNDER	±0.25	APPROVED BY	DATE	EMBOSSED TAPE ORDER No.	MATERIAL NO.	CIRCUIT	
30 OVER	±0.3	M. SASAO	2006/07/28	DOCUMENT NO.	SD-501616-005	SHEET NO. 1 OF 2	
ANGULAR	±3 °	SEE CHART		THIS DRAWING CONTAINS INFORMATION THAT IS PROPRIETARY TO MOLEX INCORPORATED AND SHOULD NOT BE USED WITHOUT WRITTEN PERMISSION			
DRAFT WHERE APPLICABLE MUST REMAIN WITHIN DIMENSIONS		SIZE A3					

9 8 7 6 5 4 3 2 1

10 9 8 7 6 5 4 3 2 1



参考基板レイアウト (マウント面)  
P.C.BOARD PATTERN  
DIM.(REF.)

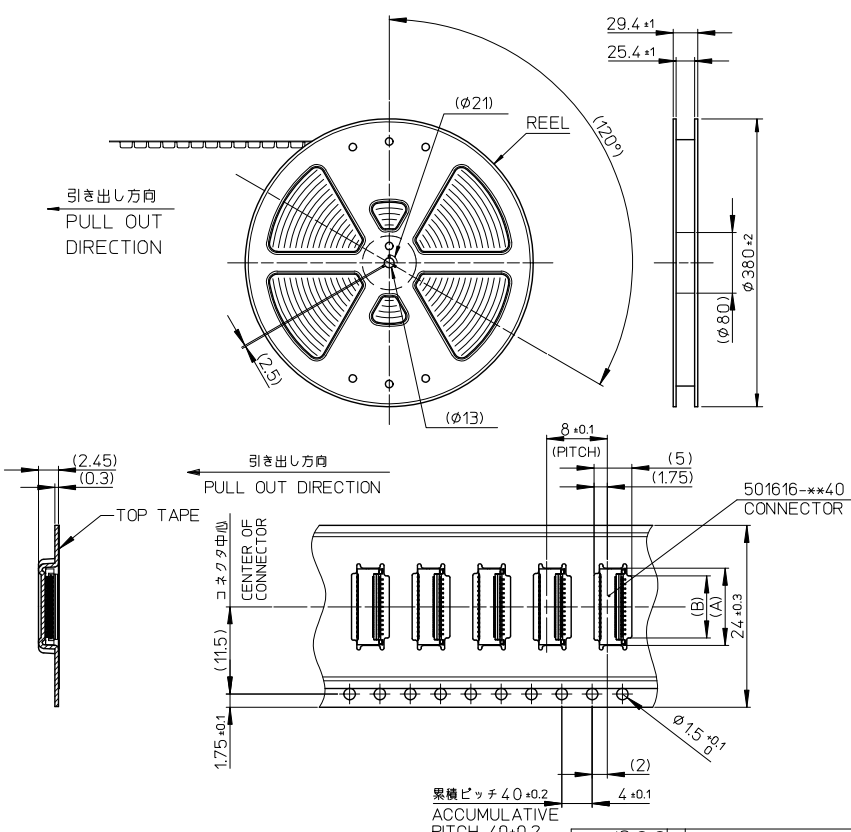
9.0	7.8	8.4	501616-2975	501616-2940	29
8.4	7.2	7.8	501616-2775	501616-2740	27
7.8	6.6	7.2	501616-2575	501616-2540	25
6.0	4.8	5.4	501616-1975	501616-1940	19
E	C	B	EMBOSSED TAPE	MATERIAL NO.	CIRCUIT
			ORDER No.		

- 注記
- 基板実装前にアクチュエータを操作しないで下さい。  
PLEASE DO NOT OPERATE THE ACTUATOR BEFORE MOUNTING.  
必ず基板に実装し、FPCを挿入してからアクチュエータを操作して下さい。  
PLEASE OPERATE THE ACTUATOR AFTER MOUNTING ON THE SUBSTRATE, AND MATING FPC.
  - ELV及びRoHS適合品  
ELV AND RoHS COMPLIANT
  - 本製品は上面接触品です。下面接続で使用しないでください。  
THIS CONNECTOR IS UPPER CONTACT TYPE.  
PLEASE DO NOT USE AS LOWER CONTACT TYPE.

REVISED EC NO: J2015-1263 DRAWN TAKAHASHI 04/2015/03/17 CHKD KTAKAHASHI 2015/03/17 APPR. YUIGAWA 2015/03/30	GENERAL TOLERANCES (UNLESS SPECIFIED)		DIMENSION STYLE MM ONLY		SCALE 10:1	DESIGN UNITS METRIC	THIRD ANGLE PROJECTION
	0.25 UNDER	±0.03	DRAWN BY	DATE	TITLE		
	0.25 OVER 0.5 UNDER	±0.05	K. TAKAHASHI	2006/07/28	0.3 FPC CONN. ZIF E/O HSG ASSY (H=1.1)		
	0.5 OVER 1.0 UNDER	±0.1	CHECKED BY	DATE	ORDER No.		
1.0 OVER 10 UNDER	±0.2	H. HIRATA	2006/07/28	MATERIAL NO.			
10 OVER 30 UNDER	±0.25	APPROVED BY	DATE	DOCUMENT NO.			
30 OVER	±0.3	M. SASAO	2006/07/28	SD-501616-005			
ANGULAR	±3°	SEE CHART		SHEET NO.			
DRAFT WHERE APPLICABLE MUST REMAIN WITHIN DIMENSIONS			THIS DRAWING CONTAINS INFORMATION THAT IS PROPRIETARY TO MOLEX INCORPORATED AND SHOULD NOT BE USED WITHOUT WRITTEN PERMISSION			2 OF 2	

9 8 7 6 5 4 3 2 1

10 9 8 7 6 5 4 3 2 1



**NOTES**

- 製品 (501616-2775) の詳細寸法については、図面 SD-501616-005 をご参照下さい。  
IN THE PACKAGE, PART NO. 501616-2775 DETAILED DIMENSIONS, REFER TO SALES DRAWING NO. SD-501616-005.
- 梱包数量 : 3000個/リール  
NUMBER OF CONNECTORS : 3000 PCS/REEL
- リードテープ長さ  
LEAD TAPE LENGTH
- 材料  
キャリアテープ: ポリスチレン (PS)  
トップテープ: PET, PE, PEF  
リール: ポリスチレン (PS) <リサイクル材を含む>  
MATERIAL  
CARRIER TAPE: POLYSTYRENE (PS)  
TOP TAPE: PET, PE, PEF  
REEL: POLYSTYRENE (PS) <RECYCLE MATERIAL CONTAINED>
- ELV及びRoHS適合品  
ELV AND RoHS COMPLIANT

8.8	10.8	501616-2975	29
8.2	10.2	501616-2775	27
7.6	9.6	501616-2575	25
5.8	7.8	501616-1975	19
B	A	EMBOSSED PACKAGE オーダー番号 ORDER No.	極数 CIRCUIT

エンボステープ内の製品の向き  
DIRECTION OF CONNECTOR IN  
EMBOSSED TAPE

REVISED EC NO. J2009-1784 DRAWN: KAWABATA 2009/01/26 CHKD: HISHIMOTOYAMA 2009/01/26 APPR: HISHIMOTOYAMA 2009/01/26 REV A	GENERAL TOLERANCES (UNLESS SPECIFIED)		DIMENSION STYLE MM ONLY	SCALE ---	DESIGN UNITS METRIC	THIRD ANGLE PROJECTION
	10 UNDER	±---	DRAWN BY K. TAKAHASHI	DATE 2006/7/28	TITLE 0.3 FPC CONN. B/F EMBSTP PKG H=1.1	
	10 OVER 30 UNDER	±---	CHECKED BY H. HIRATA	DATE 2006/7/28	MOLEX INCORPORATED	
	30 OVER	±---	APPROVED BY M. SASAO	DATE 2006/7/28	DOCUMENT NO. SD-501616-006	SHEET NO. 1 OF 1
ANGULAR ±---°		DRAFT WHERE APPLICABLE MUST REMAIN WITHIN DIMENSIONS		SEE CHART THIS DRAWING CONTAINS INFORMATION THAT IS PROPRIETARY TO MOLEX INCORPORATED AND SHOULD NOT BE USED WITHOUT WRITTEN PERMISSION		