

Excellent Integrated System Limited

Stocking Distributor

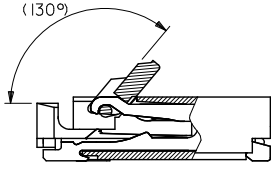
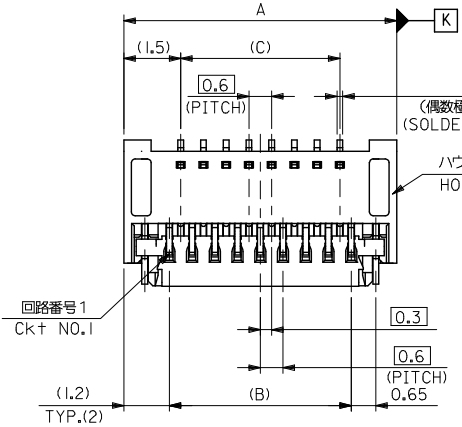
Click to view price, real time Inventory, Delivery & Lifecycle Information:

[Molex Connector Corporation](#)
[500797-3594](#)

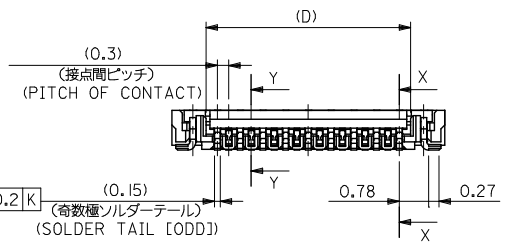
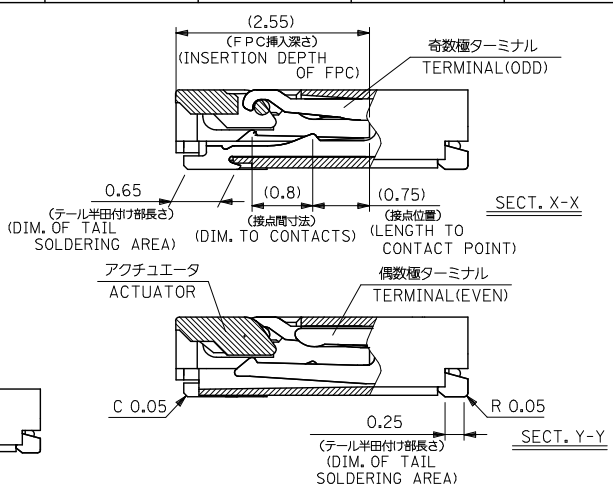
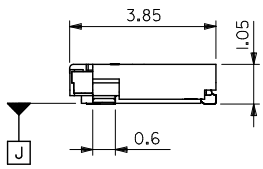
For any questions, you can email us directly:

sales@integrated-circuit.com

10 9 8 7 6 5 4 3 2 1



アクチュエータを開口した状態
WHEN ACTUATOR IS OPENED

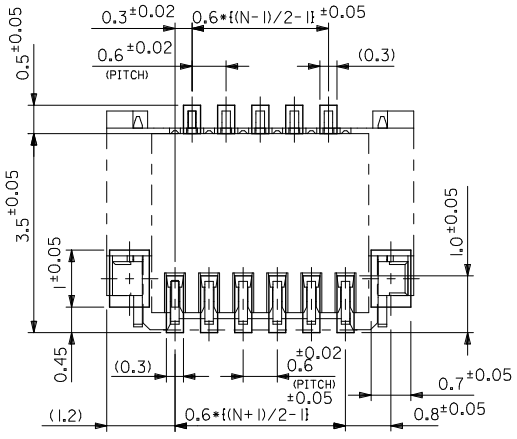


| | | | | | | |
|------|-----|-----|------|-----------------|-------------|-------------------|
| 10.2 | 9.0 | 9.6 | 12.0 | 500797-3394 | 500797-3350 | 33 |
| 9.6 | 8.4 | 9.0 | 11.4 | 500797-3194 | 500797-3150 | 31 |
| 8.4 | 7.2 | 7.8 | 10.2 | 500797-2794 | 500797-2750 | 27 |
| 7.2 | 6.0 | 6.6 | 9.0 | 500797-2394 | 500797-2350 | 23 |
| 3.6 | 2.4 | 3.0 | 5.4 | 500797-1194 | 500797-1150 | 11 |
| D | C | B | A | EMBOSSED TAPE | | MATERIAL NO. CKT. |
| | | | | ORDER No. オダー番号 | | |

| | | | | | | | | |
|---|--|-----------|----------------------------|------------|--|--------------------------|---------------------------|---------------------------|
| REVISED EC NO. J2016-1099 DRAWN: TAKAHASHI 04/2016/04/19 CHK: OKATAKASHI 2016/04/26 APPR: IKUSUHARA01 2016/04/28 REV J | GENERAL TOLERANCES (UNLESS SPECIFIED) | | DIMENSION STYLE MM ONLY | | SCALE --- | DESIGN UNITS METRIC | MODEL No. 500797-***50 | THIRD ANGLE PROJECTION |
| | 0.25 UNDER | UNDER | ±0.03 | DRAWN BY | DATE | TITLE | | |
| | 0.25 OVER | 0.5 UNDER | ±0.05 | YMAEDA | 2006/03/07 | 0.3 FPC CONN E/O HSG | | |
| | 0.5 OVER | 1.0 UNDER | ±0.1 | CHECKED BY | DATE | ASSY (HGT=1.05MM) | | |
| | 1.0 OVER | 10 UNDER | ±0.2 | MTANAKA | 2006/03/07 | GOLD PLATING -LEAD FREE- | | |
| 10 OVER | 30 UNDER | ±0.25 | APPROVED BY | DATE | molex DOCUMENT NO. SD-500797-005 SHEET NO. 1 OF 2 | | | |
| 30 OVER | | ±0.3 | NUKITA | 2006/03/07 | SEE TABLE THIS DRAWING CONTAINS INFORMATION THAT IS PROPRIETARY TO MOLEX ELECTRONIC TECHNOLOGIES, LLC AND SHOULD NOT BE USED WITHOUT WRITTEN PERMISSION | | | |
| ANGULAR | | ±3 ° | | | | | | |
| DRAFT WHERE APPLICABLE MUST REMAIN WITHIN DIMENSIONS | | | | | | | | |

9 8 7 6 5 4 3 2 1

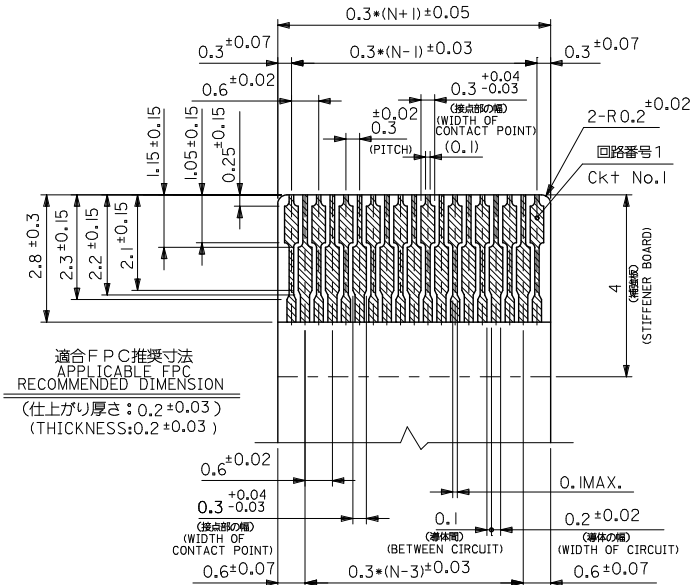
10 9 8 7 6 5 4 3 2 1



参考基板レイアウト図
(マウント面)
(MOUNTING SIDE)

注記 NOTES

- 使用材料 MATERIAL
ハウジング : 液晶ポリマー ガラス充填 UL94V-0
HOUSING : LIQUID CRYSTAL POLYMER (GLASS FILLED) UL94V-0
アクチュエータ : 46 ナylon ガラス充填 UL94V-0
ACTUATOR : 46 NYLON (GLASS FILLED) UL94V-0
ターミナル : 銅合金 (t=0.15), ニッケル下地金メッキ
TERMINAL : COPPER ALLOY, GOLD OVER NICKEL PLATING.
金具 : リン青銅 (t=0.15), ニッケル下地スズメッキ
FITTING NAIL : PHOSPHOR-BRONZE, TIN OVER NICKEL PLATING.
- △ ソルダータール半田付け面のズレ量、及び金具半田付け面のズレ量は、基準面 □ に対し、
上方向 0.1 MAXIMUM, 下方向 0.15 MAXIMUM とする。
又、相互のバツキ量は 0.1 MAXIMUM とする。
MISALIGNMENT OF SOLDER TAILS AND FITTING NAILS FROM □
UPPER DIRECTION : 0.1 MAXIMUM, LOWER DIRECTION : 0.15 MAXIMUM.
OFFSET BETWEEN SOLDER TAILS AND FITTING NAILS : 0.1 MAXIMUM.



適合 FPC 推奨寸法
APPLICABLE FPC
RECOMMENDED DIMENSION
(仕上がり厚さ: 0.2±0.03)
(THICKNESS: 0.2±0.03)

FPCについて:
打抜き方向は導体側から補強板側を推奨いたします。
導体側については軟銅箔35マイクロメートルまたは50マイクロメートルを推奨致します。
補強フィルム材質はポリイミドを推奨します。
接着剤は熱硬化接着剤を推奨します。

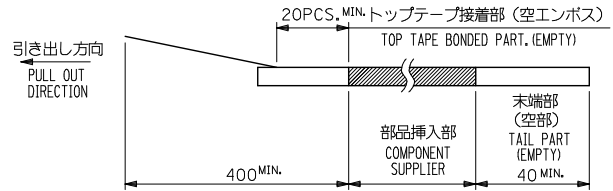
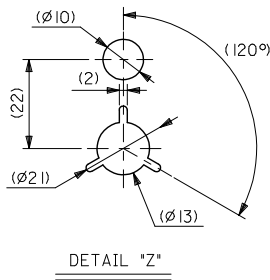
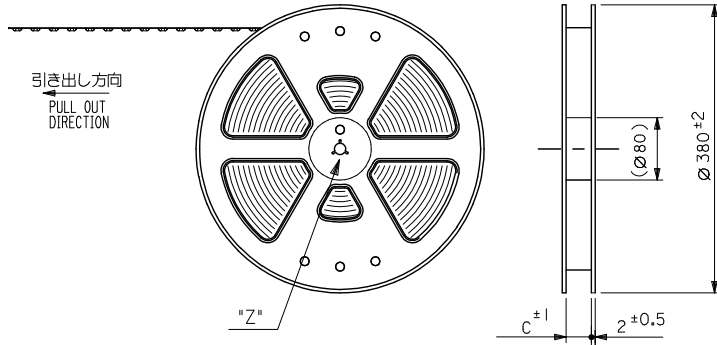
ABOUT FPC
RECOMMENDED PUNCHER DIRECTION : FROM CONDUCTOR SIDE TO STIFFENER FILM SIDE.
RECOMMENDED CONDUCTOR SPEC :
THICKNESS OF SOFT COPPER FOIL : 35 MICROMETER OR 50 MICROMETER
RECOMMENDED MATERIAL :
STIFFENER FILM : POLYIMIDE
BONDING AGENT : THERMOSETTING BONDING AGENT

| | | | | | | | | |
|---|---------------------------------------|-----------|---|------------|--------------------------|--|------------------------|-----------|
| REVISED EC NO: J2016-1099 DRAWN: TAKAHASHI 04/2016/04/19 CHK: KIKUCHI 2016/04/26 APPR: IKUSABARA 2016/04/28 | GENERAL TOLERANCES (UNLESS SPECIFIED) | | DIMENSION STYLE | | SCALE | 500797-***50 | MODEL NO. | |
| | 0.25 UNDER | UNDER | ±0.03 | MM ONLY | --- | DESIGN UNITS | THIRD ANGLE PROJECTION | |
| | 0.25 OVER | 0.5 UNDER | ±0.05 | DRAWN BY | DATE | METRIC | ◎ □ | |
| | 0.5 OVER | 1.0 UNDER | ±0.1 | YMAEDA | 2006/03/06 | 0.3 FPC CONN E/O HSG ASSY (HGT=1.05MM) | | |
| 1.0 OVER | 10 UNDER | ±0.2 | CHECKED BY | DATE | GOLD PLATING -LEAD FREE- | | | |
| 10 OVER | 30 UNDER | ±0.25 | MTANAKA | 2006/03/06 | molex | | | |
| 30 OVER | | ±0.3 | APPROVED BY | DATE | DOCUMENT NO. | | | |
| ANGULAR | ±3° | | NUKITA | 2006/03/06 | SD-500797-005 | | | |
| DRAFT WHERE APPLICABLE MUST REMAIN WITHIN DIMENSIONS | | SIZE | SEE TABLE | | | | | SHEET NO. |
| | | A3 | THIS DRAWING CONTAINS INFORMATION THAT IS PROPRIETARY TO MOLEX ELECTRONIC TECHNOLOGIES, LLC AND SHOULD NOT BE USED WITHOUT WRITTEN PERMISSION | | | | | 2 OF 2 |

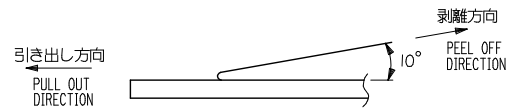
9 8 7 6 5 4 3 2 1

NOTES

1. 製品詳細寸法については図面 SD-500797-005 を参照下さい。
RE DETAILED DIMENSION, SEE SD-500797-005
2. 梱包数量: 3000個/リール
NUMBER OF CONNECTORS: 3000PCS/REEL
3. リードテープ長さ LEAD TAPE LENGTH



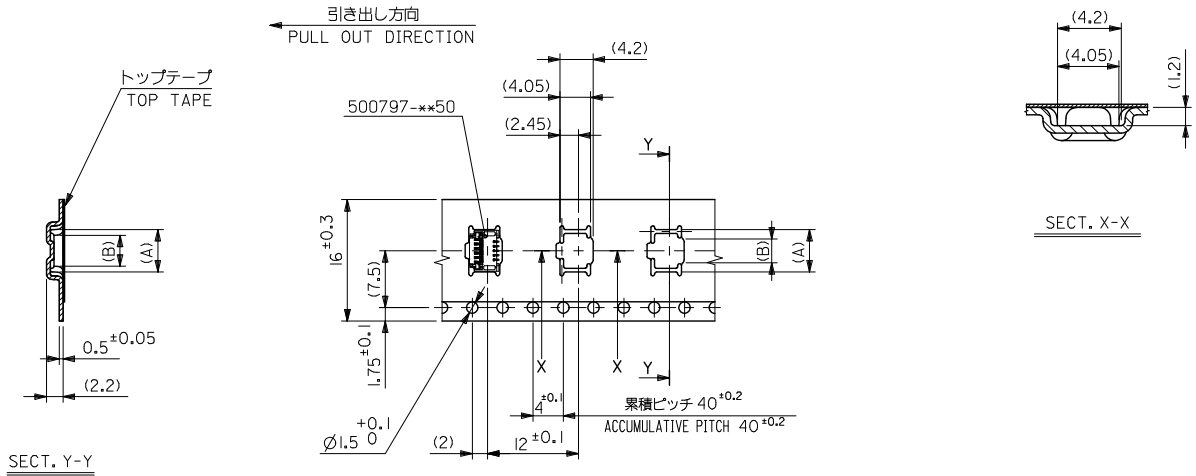
4. トップテープの剥離強度: 0.1N ~ 1.3N(10.2gf ~ 132.6gf)
(剥離方向は下図参照)
尚、本規格値は出荷時に適用。(但し、輸送時に剥離が発生しないこと。)
PEELING OFF FORCE OF TOP TAPE: 0.1N ~ 0.7N(10.2gf ~ 71.4gf)
(PEELING DIRECTION AS SHOWN IN FOLLOWING FIG.)
THIS REQUIREMENT SHOULD BE APPLIED AT SHIPMENT.
PEEL OFF SHOULD NOT BE ALLOWED, DURING TRANSPORTATION.



5. 材料 (MATERIAL)
キャリアテープ (CARRIER TAPE): ポリプロピレン (POLYPROPYLENE)
トップテープ (TOPTAPE): PET, PE, PEF
リール (REEL): ポリスチレン (PS) <リサイクル材含む>
POLYSTYREN (PS) <RECYCLE MATERIAL CONTAINED>
6. C寸法は SHEET 2 ~ 4 を参照下さい。
SEE SHEET 2 ~ 4 (DIMENSION C).
7. 欠品無きこと。
THERE SHALL BE NO MISSING PRODUCTS.

| | | | | | | | |
|--|--|-----------|---|------------|--------------|---|---------------------------|
| REVISED EC NO: J2016-1099 DRAWN: TAKAHASHI 04/2016/04/19 CHKD: TAKAHASHI 2016/04/26 APPR: IKUSUHARA01 2016/04/28 | GENERAL TOLERANCES (UNLESS SPECIFIED) | | DIMENSION STYLE MM ONLY | | SCALE --- | 500797-***94 | MODEL NO. |
| | 0.25 UNDER | UNDER | ±0.03 | DRAWN BY | DATE | DESIGN UNITS METRIC | THIRD ANGLE PROJECTION |
| | 0.25 OVER | 0.5 UNDER | ±0.05 | YMAEDA | 2006/03/07 | TITLE | |
| | 0.5 OVER | 1.0 UNDER | ±0.1 | CHECKED BY | DATE | EMBSTP PKG FOR 0.3 FPC CONN (HGT=1.05MM) GOLD PLATING -LEAD FREE- | |
| 1.0 OVER | 10 UNDER | ±0.2 | MTANAKA | 2006/03/07 | APPROVED BY | DATE | |
| 10 OVER | 30 UNDER | ±0.25 | NUKITA | 2006/03/07 | MATERIAL NO. | DOCUMENT NO. | |
| 30 OVER | | ±0.3 | SEE CHART | | | SD-500797-006 | SHEET NO. 1 OF 3 |
| ANGULAR | ±3 ° | | THIS DRAWING CONTAINS INFORMATION THAT IS PROPRIETARY TO MOLEX ELECTRONIC TECHNOLOGIES, LLC AND SHOULD NOT BE USED WITHOUT WRITTEN PERMISSION | | | | |

10 9 8 7 6 5 4 3 2 1



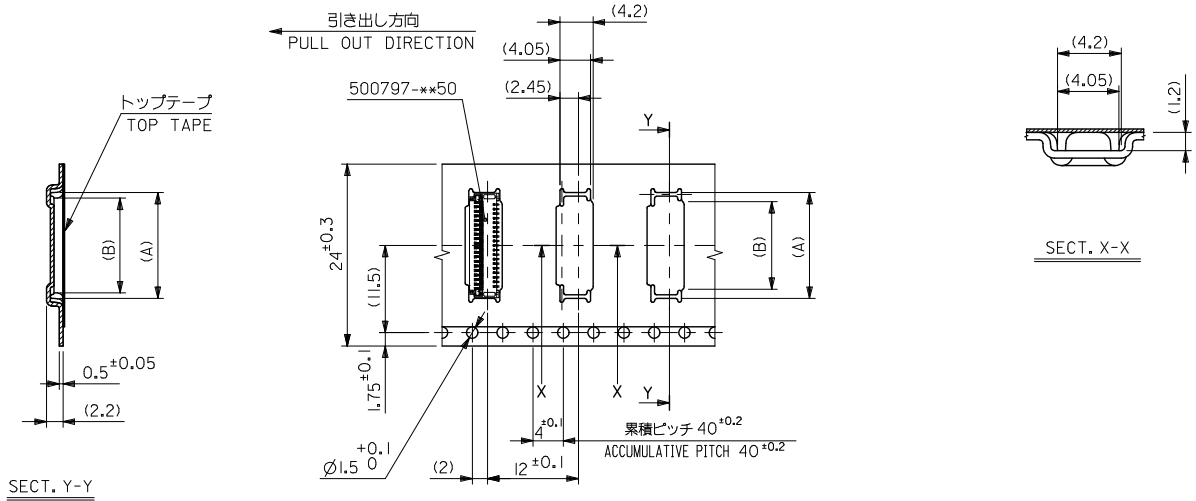
16mm幅キャリアテープ
16mm WIDTH CARRIER TAPE

| | | | | | |
|--------------------------------|------|-----|-----|----------------------|-----------|
| 16 | 17.5 | 3.4 | 5.6 | 500797-1194 | 11 |
| キャリアテープ幅 CARRIER TAPE WIDTH | C | (B) | (A) | 製品番号 MATERIAL No. | 極致 Ck+ |
| | | | | 500797-**94 | MODEL No. |

| | | | | | | | |
|---|---------------------------------------|---|-----------------|---------------|---|--------------|------------------------|
| REVISED IEC NO. J2016-1099 G1 DRW:MTAKASHI 04/2016/04/19 CHK:DKTAKASHI 2016/04/26 APPR:IKUSUHARA01 2016/04/28 REV DESCRIPTION | GENERAL TOLERANCES (UNLESS SPECIFIED) | | DIMENSION STYLE | | SCALE | DESIGN UNITS | THIRD ANGLE PROJECTION |
| | | | MM ONLY | | --- | METRIC | |
| | 0.25 UNDER UNDER ±0.03 | DRAWN BY | | DATE | TITLE | | |
| | 0.25 OVER 0.5 UNDER ±0.03 | YMAEDA | | 2006/03/07 | EMBSTP PKG FOR 0.3 FPC CONN (HGT=1.05MM) GOLD PLATING -LEAD FREE- | | |
| | 0.5 OVER 4.0 UNDER ±0.1 | CHECKED BY | | DATE | | | |
| 4.0 OVER 10 UNDER ±0.2 | MTANAKA | | 2006/03/07 | | | | |
| 10 OVER 30 UNDER ±0.25 | APPROVED BY | | DATE | DOCUMENT NO. | | SHEET NO. | |
| 30 OVER ±0.3 | NUKITA | | 2006/03/07 | SD-500797-006 | | 2 OF 3 | |
| ANGULAR ±3 ° | MATERIAL NO. | | SEE CHART | | | | |
| DRAFT WHERE APPLICABLE MUST REMAIN WITHIN DIMENSIONS | SIZE | THIS DRAWING CONTAINS INFORMATION THAT IS PROPRIETARY TO MOLEX ELECTRONIC TECHNOLOGIES, LLC AND SHOULD NOT BE USED WITHOUT WRITTEN PERMISSION | | | | | |
| | A3 | | | | | | |

9 8 7 6 5 4 3 2 1

10 9 8 7 6 5 4 3 2 1



24mm幅キャリアテープ
24mm WIDTH CARRIER TAPE

| | | | | | |
|--------------------------------|------|------|------|----------------------|-----------|
| 24 | 25.5 | 10.0 | 12.2 | 500797-3394 | 33 |
| | | 9.4 | 11.6 | 500797-3194 | 31 |
| | | 8.2 | 10.4 | 500797-2794 | 27 |
| | | 7.0 | 9.2 | 500797-2394 | 23 |
| キャリアテープ幅 CARRIER TAPE WIDTH | C | (B) | (A) | 製品番号 MATERIAL No. | 極致 CK+ |
| | | | | 500797-***94 | MODEL No. |

| | | | | | | |
|---|---------------------------------------|---|---|--------------------------|--------------|------------------------|
| REVISED IEC NO. J2016-1099 G DRAWN: MTAKASHI 04/2016/04/19 CHIKDKTAKASHI 2016/04/26 APPR: IKUSUHARA01 2016/04/28 REV DESCRIPTION | GENERAL TOLERANCES (UNLESS SPECIFIED) | | DIMENSION STYLE | SCALE | DESIGN UNITS | THIRD ANGLE PROJECTION |
| | | | MM ONLY | --- | METRIC | |
| | ±0.25 UNDER UNDER ±0.03 | DRAWN BY | DATE | TITLE | | |
| | 0.25 OVER 0.5 UNDER ±0.05 | YMAEDA | 2006/03/07 | EMBSTP PKG FOR 0.3 FPC | | |
| | 0.5 OVER 1.0 UNDER ±0.1 | CHECKED BY | DATE | CONN (HGT=1.05MM) | | |
| | 1.0 OVER 3.0 UNDER ±0.2 | MTANAKA | 2006/03/07 | GOLD PLATING -LEAD FREE- | | |
| 3.0 OVER 10 UNDER ±0.25 | APPROVED BY | DATE | molex DOCUMENT NO. SD-500797-006 SHEET NO. 3 OF 3 | | | |
| 10 OVER 30 UNDER ±0.3 | NUKITA | 2006/03/07 | | | | |
| ANGULAR ±3 ° | MATERIAL NO. | SEE CHART | | | | |
| DRAFT WHERE APPLICABLE MUST REMAIN WITHIN DIMENSIONS | SIZE | THIS DRAWING CONTAINS INFORMATION THAT IS PROPRIETARY TO MOLEX ELECTRONIC TECHNOLOGIES, LLC AND SHOULD NOT BE USED WITHOUT WRITTEN PERMISSION | | | | |

9 8 7 6 5 4 3 2 1