

Excellent Integrated System Limited

Stocking Distributor

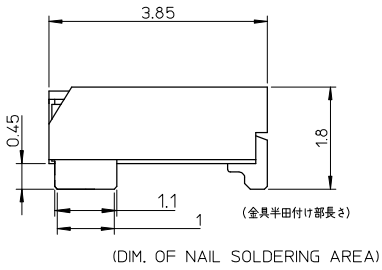
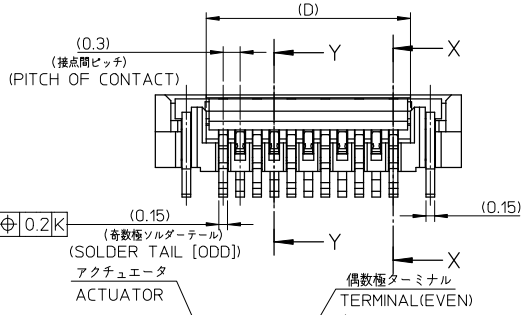
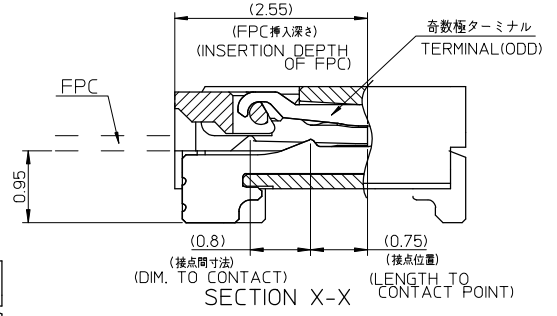
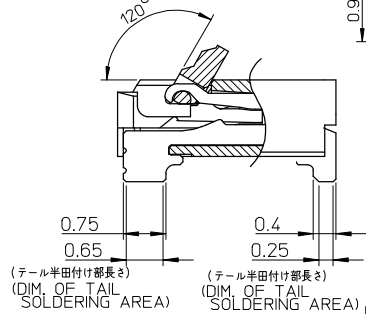
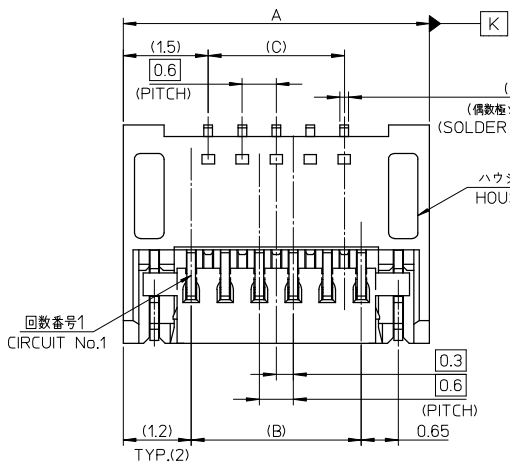
Click to view price, real time Inventory, Delivery & Lifecycle Information:

[Molex Connector Corporation](#)
[5019124790](#)

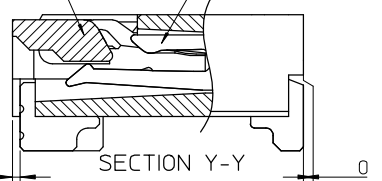
For any questions, you can email us directly:

sales@integrated-circuit.com

10 9 8 7 6 5 4 3 2 1

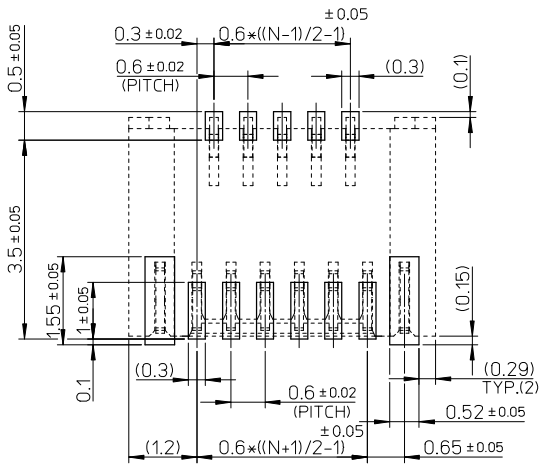


15.6	14.4	15.0	17.4	501912-5190	501912-5110	51
14.4	13.2	13.8	16.2	501912-4790	501912-4710	47
13.8	12.6	13.2	15.6	501912-4590	501912-4510	45
12.6	11.4	12.0	14.4	501912-4190	501912-4110	41
12.0	10.8	11.4	13.8	501912-3990	501912-3910	39
11.4	10.2	10.8	13.2	501912-3790	501912-3710	37
10.8	9.6	10.2	12.6	501912-3590	501912-3510	35
10.2	9.0	9.6	12.0	501912-3390	501912-3310	33
8.4	7.2	7.8	10.2	501912-2790	501912-2710	27
7.8	6.6	7.2	9.6	501912-2590	501912-2510	25
7.2	6.0	6.6	9.0	501912-2390	501912-2310	23
6.6	5.4	6.0	8.4	501912-2190	501912-2110	21
4.8	3.6	4.2	6.6	501912-1590	501912-1510	15

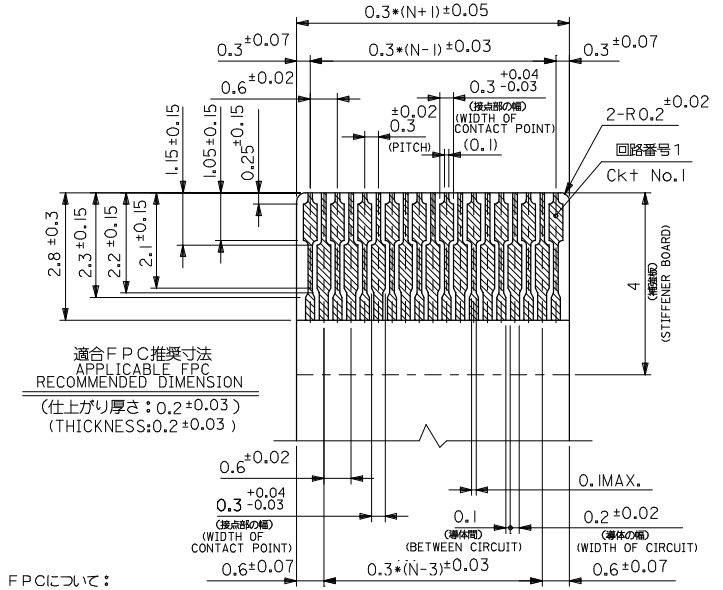


REVISED EC NO. J2008-3324 2008/03/25 DRAWN BY T. DRW/HTAGAMI CHKD/KTAKAHASHI APPR/KTAKAHASHI 2008/04/07 REV. DESCRIPTION	GENERAL TOLERANCES (UNLESS SPECIFIED)		DIMENSION STYLE MM ONLY		SCALE 15:1	DESIGN UNITS METRIC	THIRD ANGLE PROJECTION	
	10 UNDER	± 0.2	DRAWN BY M. HAYASHI	DATE 2005/07/28	TITLE 0.3 FPC CONN E/O HSG ASSY (HGT=1.8MM) GOLDPLATING			
	10 OVER 30 UNDER	± 0.25	CHECKED BY H. HIRATA	DATE 2005/07/28	MATERIAL NO. SD-501912-001			
	30 OVER	± 0.3	APPROVED BY M. SASAO	DATE 2005/07/28	DOCUMENT NO. SD-501912-001			
ANGULAR ± 3 °		DRAFT WHERE APPLICABLE MUST REMAIN WITHIN DIMENSIONS		MATERIAL NO. SEE TABLE		DOCUMENT NO. SD-501912-001		SHEET NO. 1 OF 2
THIS DRAWING CONTAINS INFORMATION THAT IS PROPRIETARY TO MOLEX INCORPORATED AND SHOULD NOT BE USED WITHOUT WRITTEN PERMISSION								

10 9 8 7 6 5 4 3 2 1



参考基板レイアウト図
(マウント面)
(MOUNTING SIDE)



適合FPC推奨寸法
APPLICABLE FPC
RECOMMENDED DIMENSION
(仕上がり厚さ: 0.2±0.03)
(THICKNESS: 0.2±0.03)

FPCについて:
打抜き方向は導体側から補強板側を推奨いたします。
導体部については軟銅箔35マイクロメートルまたは50マイクロメートルを推奨致します。
補強フィルム材質はポリイミドを推奨いたします。
接着剤は熱硬化接着剤を推奨いたします。

ABOUT FPC
RECOMMENDED PUNCHER DIRECTION : FROM CONDUCTOR SIDE TO STIFFENER FILM SIDE.
RECOMMENDED CONDUCTOR SPEC :
THICKNESS OF SOFT COPPER FOIL : 35 MICROMETER OR 50 MICROMETER
RECOMMENDED MATERIAL :
STIFFENER FILM : POLYIMIDE
BONDING AGENT : THERMOSETTING BONDING AGENT

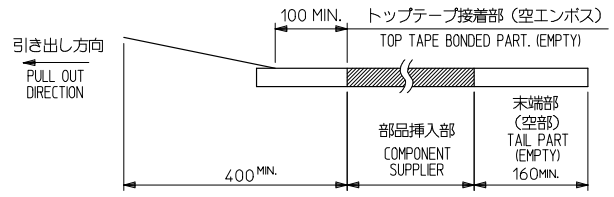
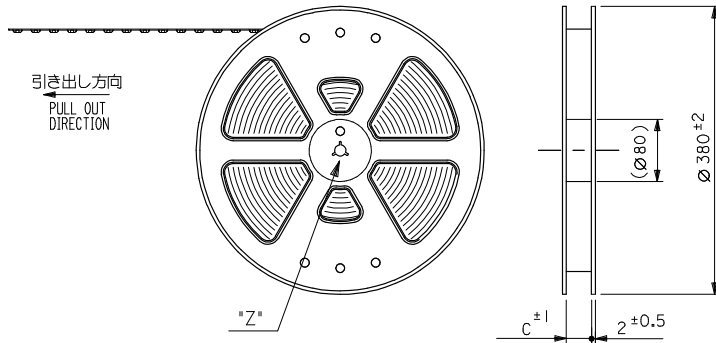
注記 NOTES

- 使用材料 MATERIAL
ハウジング : 耐熱性樹脂 ガラス充填 UL94V-0
HOUSING : HEAT RESISTANCE POLYMER (GLASS FILLED) UL94V-0
アクチュエータ : 耐熱性樹脂 ガラス充填 UL94V-0
ACTUATOR : HEAT RESISTANCE POLYMER (GLASS FILLED) UL94V-0
ターミナル : 銅合金 (t=0.15), ニッケル下地金メッキ
TERMINAL : COPPER ALLOY, GOLD OVER NICKEL PLATING.
金具 : 銅合金 (t=0.15), ニッケル下地スズメッキ
FITTING NAIL : COPPER ALLOY, TIN OVER NICKEL PLATING.
ハウジングに黒点がある場合がありますが、問題はありません。
- ソルダーテール半田付け面、及び金具半田付け面の平坦度: 0.1mm MAXIMUM.
COPLANARITY OF SOLDER TAILS AND FITTING NAILS TO BE 0.1mm MAXIMUM.
- ELV AND RoHS COMPLIANT.

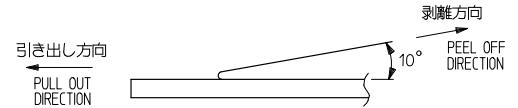
REVISED EC NO. J2008-3324 DRAWN BY: T. DRWNHTAGAMI 2008/03/25 CHECKED BY: CHIKDKTAKAHASHI 2008/04/07 APPROVED BY: APPRKTAKAHASHI 2008/04/07	GENERAL TOLERANCES (UNLESS SPECIFIED)		DIMENSION STYLE MM ONLY		SCALE -----	DESIGN UNITS METRIC	THIRD ANGLE PROJECTION
	10 UNDER	±0.2	DRAWN BY M. HAYASHI	DATE 2005/07/28	TITLE 0.3 FPC CONN E/O HSG ASSY (HGT=1.8MM) GOLDPLATING		
	10 OVER 30 UNDER	±0.25	CHECKED BY H. HIRATA	DATE 2005/07/28	MOLEX INCORPORATED		
	30 OVER	±0.3	APPROVED BY M. SASAO	DATE 2005/07/28	DOCUMENT NO. SD-501912-001	SHEET NO. 2 OF 2	
ANGULAR ±3°		MATERIAL NO.		SEE SHEET 1			
DRAFT WHERE APPLICABLE WITHIN DIMENSIONS		THIS DRAWING CONTAINS INFORMATION THAT IS PROPRIETARY TO MOLEX INCORPORATED AND SHOULD NOT BE USED WITHOUT WRITTEN PERMISSION					

NOTES

- 製品詳細寸法は製品単体図面を参照して下さい。
FOR DETAIL OF CONNECTOR DIMENSIONS, PLEASE SEE THE DRAWING OF CONNECTOR ITSELF (NOT PACKAGED).
- 梱包数量: 3000個/リール
NUMBER OF CONNECTORS: 3000PCS/REEL
- リードテープ長さ LEAD TAPE LENGTH



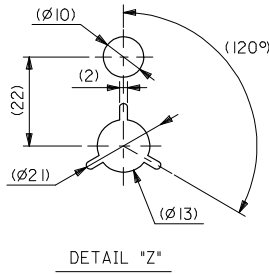
- トップテープの剥離強度: 60±35gf (0.25N~0.93N) (剥離方向は下図参照) 尚、本規格値は出荷時に適用。(但し、輸送時に剥離が発生しないこと。)
PEELING OFF FORCE OF TOP TAPE: 65gf±30gf (0.25N~0.93N) (PEELING DIRECTION AS SHOWN IN FOLLOWING FIG.) THIS REQUIREMENT SHOULD BE APPLIED AT SHIPMENT. PEEL OFF SHOULD NOT BE ALLOWED, DURING TRANSPORTATION.



5. 材料(MATERIAL)

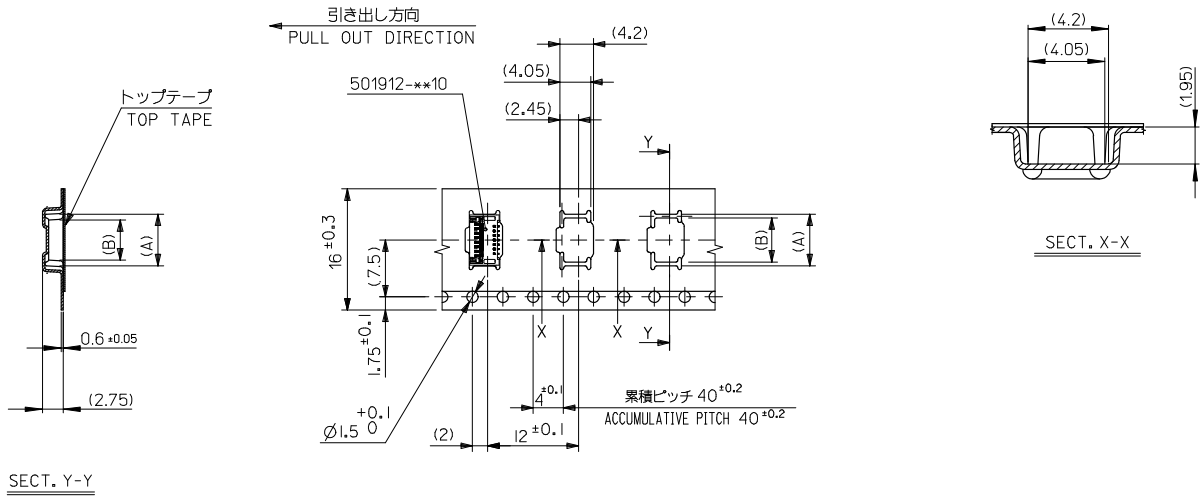
キャリアテープ (CARRIER TAPE): ポリスチレン (POLYSTYREN)
 トップテープ (TOP TAPE): PET, PE, PEF
 リール(REEL): ポリスチレン(PS) <リサイクル材を含む>
 POLYSTYREN(PS) <RECYCLE MATERIAL CONTAINED>

- C寸法は SHEET 2-4を参照下さい。
SEE SHEET 2-4(DIMENSION C).
- ELV AND RoHS COMPLIANT.



DETAIL "Z"

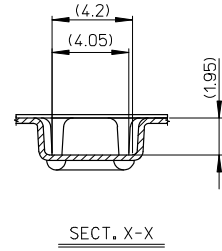
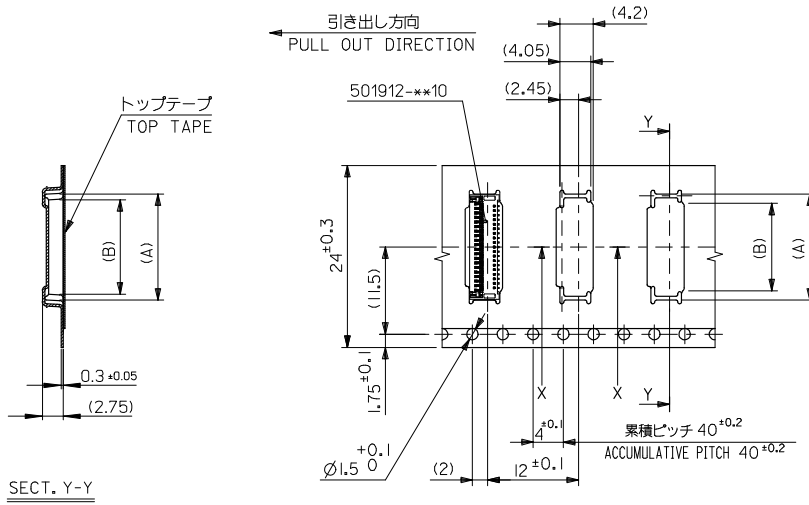
REVISED EC NO.: J2008-3324 DRAWN BY: T. DRWNHTAGAMI CHECKED BY: CHYOKI TAKAHASHI APPROVED BY: APPPRK TAKAHASHI DATE: 2008/03/25 DATE: 2008/04/07 DATE: 2008/04/07	GENERAL TOLERANCES (UNLESS SPECIFIED)		DIMENSION STYLE MM ONLY	SCALE ---	501912-**90	MODEL NO.
	10 UNDER	±0.2	DRAWN BY M. HAYASHI	DATE 2005/10/11	DESIGN UNITS METRIC	THIRD ANGLE PROJECTION
	10 OVER 30 UNDER	±0.25	CHECKED BY H. HIRATA	DATE 2005/10/11	TITLE EMBSTP PKG FOR 0.3 FPC CONN (HGT=1.8MM) GOLD PLATING	
	30 OVER	±0.3	APPROVED BY M. SASAO	DATE 2005/10/11	MOLEX INCORPORATED	
REVISION	DESCRIPTION	ANGULAR ±3 °	MATERIAL NO. SEE TABLE	DOCUMENT NO. SD-501912-002	SHEET NO. 1 OF 4	
DRAFT WHERE APPLICABLE MUST REMAIN WITHIN DIMENSIONS		SIZE A3	THIS DRAWING CONTAINS INFORMATION THAT IS PROPRIETARY TO MOLEX INCORPORATED AND SHOULD NOT BE USED WITHOUT WRITTEN PERMISSION			



16 mm幅キャリアテープ
16mm WIDTH CARRIER TAPE

16	17.5	4.6	6.8	501912-1590	15
キャリアテープ幅 CARRIER TAPE WIDTH	C	(B)	(A)	製品番号 MATERIAL No.	極数 Ckt
				501912-**90	MODEL No.

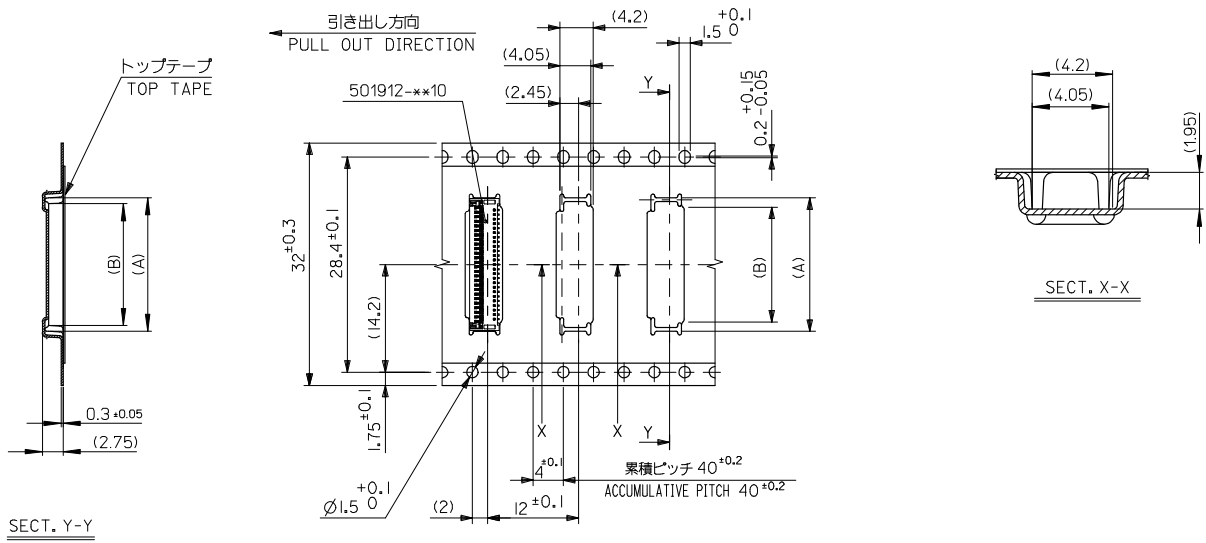
REVISED EC NO.: J2008-3324 T1 DRWNHT: AGAMI 2008/03/25 CHYKKT: KAKAHASHI 2008/04/07 APPRKT: KAKAHASHI 2008/04/07 REI	GENERAL TOLERANCES (UNLESS SPECIFIED)		DIMENSION STYLE MM ONLY	SCALE ---	DESIGN UNITS METRIC	THIRD ANGLE PROJECTION
	10 UNDER	± 0.2	DRAWN BY M. HAYASHI	DATE 2005/10/11	TITLE EMBSTP PKG FOR 0.3 FPC CONN (HGT=1.8MM) GOLD PLATING	
	10 OVER 30 UNDER	± 0.25	CHECKED BY H. HIRATA	DATE 2005/10/11		
	30 OVER	± 0.3	APPROVED BY M. SASAO	DATE 2005/10/11	MOLEX INCORPORATED	
	ANGULAR	± 3 °	MATERIAL NO. SEE TABLE	DOCUMENT NO. SD-501912-002		
DRAFT WHERE APPLICABLE MUST REMAIN WITHIN DIMENSIONS		THIS DRAWING CONTAINS INFORMATION THAT IS PROPRIETARY TO MOLEX INCORPORATED AND SHOULD NOT BE USED WITHOUT WRITTEN PERMISSION				



24mm幅キャリアテープ
24mm WIDTH CARRIER TAPE

24	25.5	12.4	14.6	501912-4190	41	
		11.8	14.0	501912-3990	39	
		11.2	13.4	501912-3790	37	
		10.6	12.8	501912-3590	35	
		10.0	12.2	501912-3390	33	
		8.2	10.4	501912-2790	27	
		7.6	9.8	501912-2590	25	
		7.0	9.2	501912-2390	23	
6.4	8.6	501912-2190	21			
キャリアテープ幅 CARRIER TAPE WIDTH		C	(B)	(A)	製品番号 MATERIAL No.	極数 Ckt
				501912-**-90	MODEL No.	

REVISED EC NO.: J2008-3324 T1 DRWNHT: AGAMI 2008/03/25 CHYKDKT: KAKAHASHI 2008/04/07 APPR: KAKAHASHI 2008/04/07 REG	GENERAL TOLERANCES (UNLESS SPECIFIED)		DIMENSION STYLE MM ONLY	SCALE ---	DESIGN UNITS METRIC	THIRD ANGLE PROJECTION	
	10 UNDER	±0.2	DRAWN BY M. HAYASHI	DATE 2005/10/11	TITLE EMBSTP PKG FOR 0.3 FPC CONN (HGT=1.8MM) GOLD PLATING		
	10 OVER 30 UNDER	±0.25	CHECKED BY H. HIRATA	DATE 2005/10/11			
	30 OVER	±0.3	APPROVED BY M. SASAO	DATE 2005/10/11	MOLEX INCORPORATED		
	ANGULAR	±3 °	MATERIAL NO.	DOCUMENT NO.			
DRAFT WHERE APPLICABLE MUST REMAIN WITHIN DIMENSIONS		SIZE A3	THIS DRAWING CONTAINS INFORMATION THAT IS PROPRIETARY TO MOLEX INCORPORATED AND SHOULD NOT BE USED WITHOUT WRITTEN PERMISSION				



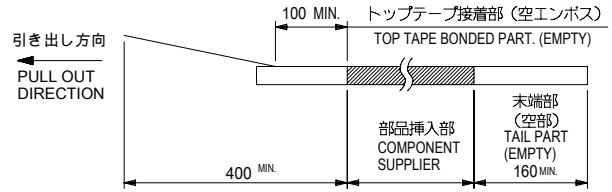
32mm幅キャリアテープ
32mm WIDTH CARRIER TAPE

32	33.5	15.4	17.6	501912-5190	51
キャリアテープ幅 CARRIER TAPE WIDTH	C	(B)	(A)	501912-4790	47
		(B)	(A)	501912-4590	45
				製品番号 MATERIAL No.	極致 Ck†
				501912-**90	MODEL No.

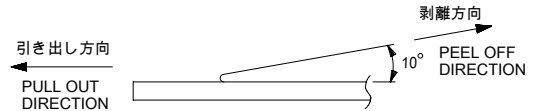
REVISED EC NO.: J2008-3324 T1 DRWNHT: AGAMI 2008/03/25 CHYOKI: TAKAHASHI 2008/04/07 APPRKT: TAKAHASHI 2008/04/07 DESCRIPTION REVISION 6	GENERAL TOLERANCES (UNLESS SPECIFIED)		DIMENSION STYLE MM ONLY	SCALE ---	DESIGN UNITS METRIC	THIRD ANGLE PROJECTION	
	10 UNDER	±0.2	DRAWN BY M. HAYASHI	DATE 2005/10/11	TITLE EMBSTP PKG FOR 0.3 FPC CONN (HGT=1.8MM) GOLD PLATING		
	10 OVER 30 UNDER	±0.25	CHECKED BY H. HIRATA	DATE 2005/10/11			
	30 OVER	±0.3	APPROVED BY M. SASAO	DATE 2005/10/11	MOLEX INCORPORATED		
	ANGULAR	±3 °	MATERIAL NO. SEE TABLE	DOCUMENT NO. SD-501912-002			
	DRAFT WHERE APPLICABLE MUST REMAIN WITHIN DIMENSIONS		SIZE A3	THIS DRAWING CONTAINS INFORMATION THAT IS PROPRIETARY TO MOLEX INCORPORATED AND SHOULD NOT BE USED WITHOUT WRITTEN PERMISSION			

NOTES

1. 製品詳細寸法は製品単体図面を参照して下さい。
FOR DETAIL OF CONNECTOR DIMENSIONS, PLEASE SEE THE DRAWING OF CONNECTOR ITSELF (NOT PACKAGED).
2. 梱包数量 : 3000個 / リール
NUMBER OF CONNECTORS : 3000PCS/REEL
3. リードテープ長さ LEAD TAPE LENGTH

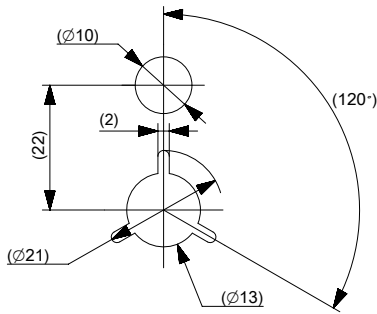
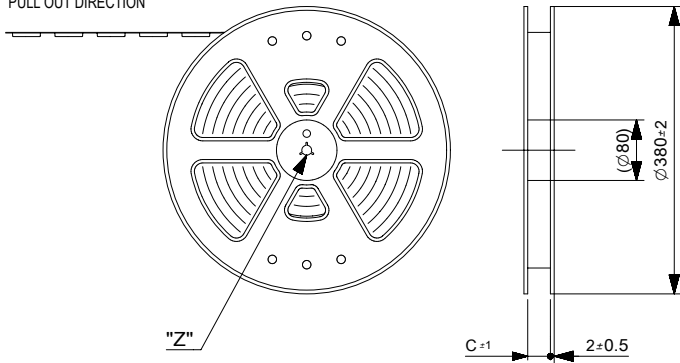


4. トップテープの剥離強度 : 60±35gf (0.25N ~ 0.93N) (剥離方向は下図参照) 尚、本規格は出荷時に適用。(但し、輸送時に剥離が発生しないこと。)
PEELING OFF FORCE OF TOP TAPE : 60gf±35gf (0.25N ~ 0.93N) (PEELING DIRECTION AS SHOWN IN FOLLOWING FIG.) THIS REQUIREMENT SHOULD BE APPLIED AT SHIPMENT. PEEL OFF SHOULD NOT BE ALLOWED, DURING TRANSPORTATION.



5. 材料(MATERIAL)
キャリアテープ(CARRIER TAPE) : ポリスチレン(POLYSTYREN)
トップテープ(TOP TAPE) : PET, PE, PEF
リール(REEL) : ポリスチレン(PS) <リサイクル材を含む>
POLYSTYREN(PS) <RECYCLE MATERIAL CONTAINED>
6. C寸法は SHEET 2~4を参照下さい。
SEE SHEET 2~4(DIMENSION C).
7. ELV AND RoHS COMPLIANT.

引き出し方向
PULL OUT DIRECTION

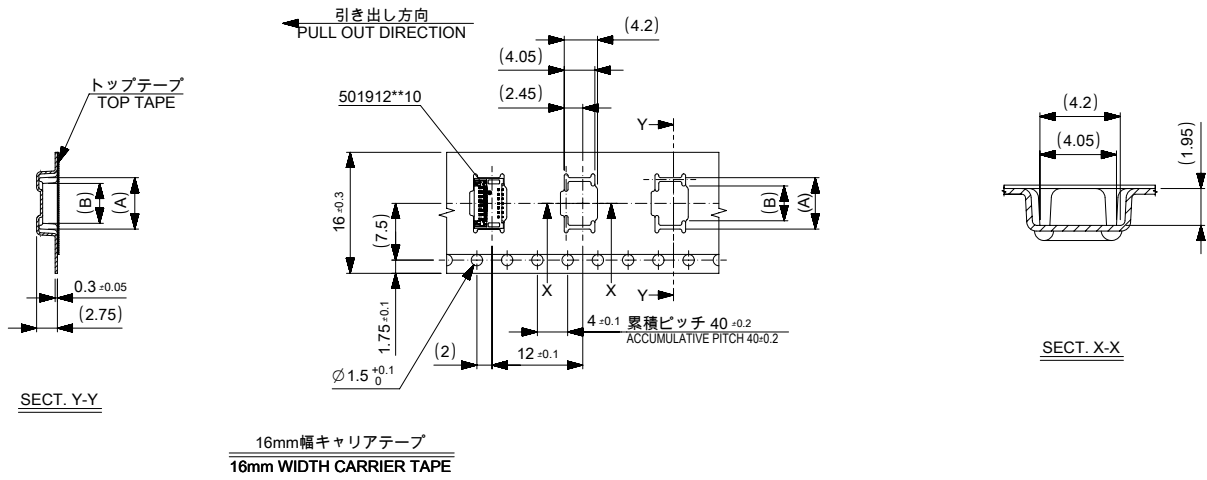


DETAIL "Z"

501912**90 MODEL NO.

THIS DRAWING CONTAINS INFORMATION THAT IS PROPRIETARY TO MOLEX ELECTRONIC TECHNOLOGIES, LLC AND SHOULD NOT BE USED WITHOUT WRITTEN PERMISSION		501912		MODEL NO.	
RELEASED EC NO. 101883 DRWN: SHIRATA CHKD: HIJIMA APPR: YNOGAWA	GENERAL TOLERANCES (UNLESS SPECIFIED)		DIMENSION UNITS		SCALE
	ANGULAR TOL ± 3.0 °		MM	NTS	
	4 PLACES ± 0.2	DRWN BY	DATE		
	3 PLACES ± 0.2	SHIRATA	2015/11/24		
2 PLACES ± 0.2	CHKD BY	DATE			
1 PLACE ± 0.2	HIJIMA	2016/01/05			
0 PLACES ± 0.2	APPR BY	DATE			
	YNOGAWA	2016/01/05			
DRAFT WHERE APPLICABLE MUST REMAIN WITHIN DIMENSIONS		DRAWING SIZE	THIRD ANGLE PROJECTION	SERIES	MATERIAL NUMBER
A		A3		501912	SEE TABLE
RELEASE STATUS P1		RELEASE DATE	05.01.2016	07:59:50	CUSTOMER
		DOCUMENT NUMBER	5019120000	DOC TYPE PSD	DOC PART 000
				SHEET NUMBER 1 OF 4	

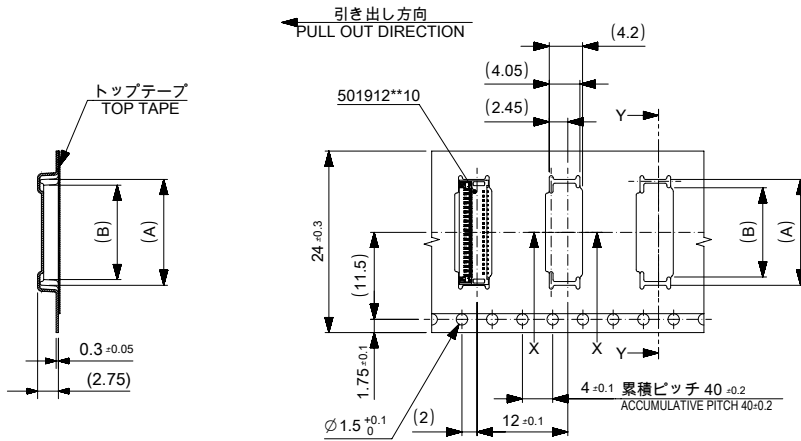
RELEASE STATUS P1 RELEASE DATE 05.01.2016 07:59:50



16	17.5	4.6	6.8	5019121590	15
キャリアテープ幅 CARRIER TAPE WIDTH	C	(B)	(A)	オーダー番号 ORDER NO.	極数 Ckt
501912**90				MODEL NO.	

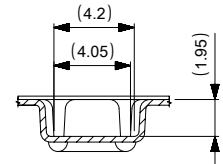
THIS DRAWING CONTAINS INFORMATION THAT IS PROPRIETARY TO MOLEX ELECTRONIC TECHNOLOGIES, LLC AND SHOULD NOT BE USED WITHOUT WRITTEN PERMISSION												
RELEASED EC NO. 101883 DRWN: SHIRATA CHKD: HIJIMA APPR: YNOGAWA REV:	GENERAL TOLERANCES (UNLESS SPECIFIED)		DIMENSION UNITS	SCALE	molex EMBSTP PKG FOR 0.3 FPC CONN (HGT=1.8MM) GOLD PLATING PRODUCT CUSTOMER DRAWING							
	ANGULAR TOL ± 3.0 °		MM	NTS								
	4 PLACES ± 0.2	DRWN BY	SHIRATA	DATE		2015/11/24						
	3 PLACES ± 0.2	CHKD BY	HIJIMA	DATE		2016/01/05						
	2 PLACES ± 0.2	APPR BY	YNOGAWA	DATE		2016/01/05						
	1 PLACE ± 0.2	DRAWING SIZE		THIRD ANGLE PROJECTION		501912						
0 PLACES ± 0.2	DRAFT WHERE APPLICABLE MUST REMAIN WITHIN DIMENSIONS		A3	SEE TABLE	CUSTOMER							
RELEASE STATUS P1		RELEASE DATE	05.01.2016	07:59:50	DOCUMENT NUMBER	5019120000	DOC TYPE	PSD	DOC PART	000	SHEET NUMBER	2 OF 4

RELEASE STATUS	P1	RELEASE DATE	05.01.2016	07:59:50
----------------	----	--------------	------------	----------



SECT. Y-Y

24mm幅キャリアテープ
24mm WIDTH CARRIER TAPE

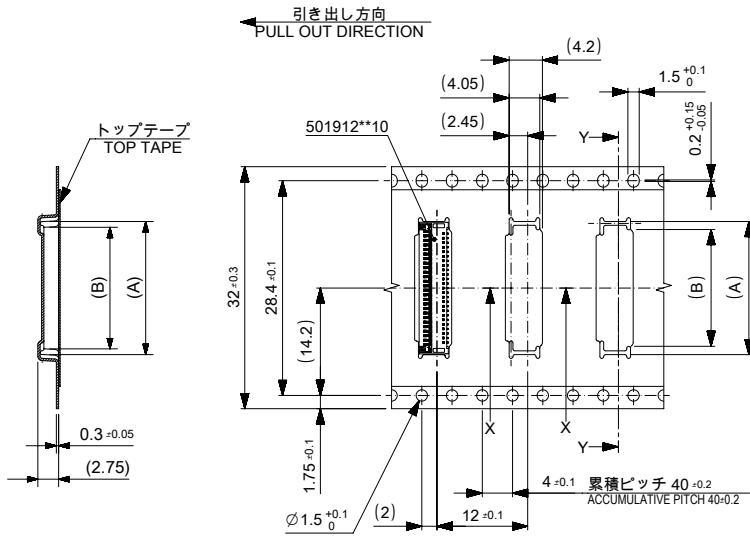


SECT. X-X

24	25.5	12.4	14.6	5019124190	41	
		11.8	14.0	5019123990	39	
		11.2	13.4	5019123790	37	
		10.6	12.8	5019123590	35	
		10.0	12.2	5019123390	33	
		8.2	10.4	5019122790	27	
		7.6	9.8	5019122590	25	
		7.0	9.2	5019122390	23	
6.4	8.6	5019122190	21			
キャリアテープ幅 CARRIER TAPE WIDTH		C	(B)	(A)	オーダー番号 ORDER NO.	極数 Ckt
501912**90				MODEL NO.		

THIS DRAWING CONTAINS INFORMATION THAT IS PROPRIETARY TO MOLEX ELECTRONIC TECHNOLOGIES, LLC AND SHOULD NOT BE USED WITHOUT WRITTEN PERMISSION												
RELEASED EC NO. 101883 DRWN: SHIRATA CHKD: HIJIMA APPR: YNOGAWA	GENERAL TOLERANCES (UNLESS SPECIFIED)			DIMENSION UNITS		SCALE		molex				
	ANGULAR TOL ± 3.0 °			MM	NTS	EMBSTP PKG FOR 0.3 FPC CONN (HGT=1.8MM) GOLD PLATING						
	4 PLACES ± 0.2	DRWN BY		DATE		PRODUCT CUSTOMER DRAWING						
	3 PLACES ± 0.2	SHIRATA		2015/11/24		SERIES	MATERIAL NUMBER	CUSTOMER				
	2 PLACES ± 0.2	CHKD BY		DATE		501912	SEE TABLE					
1 PLACE ± 0.2	HIJIMA		2016/01/05		DRAWING SIZE		THIRD ANGLE PROJECTION		DOCUMENT NUMBER	DOC TYPE	DOC PART	SHEET NUMBER
0 PLACES ± 0.2	APPR BY		DATE		A3	THIRD ANGLE PROJECTION		5019120000	PSD	000	3 OF 4	
DRAFT WHERE APPLICABLE MUST REMAIN WITHIN DIMENSIONS												

RELEASE STATUS	P1	RELEASE DATE	05.01.2016	07:59:50
----------------	----	--------------	------------	----------



SECT. Y-Y

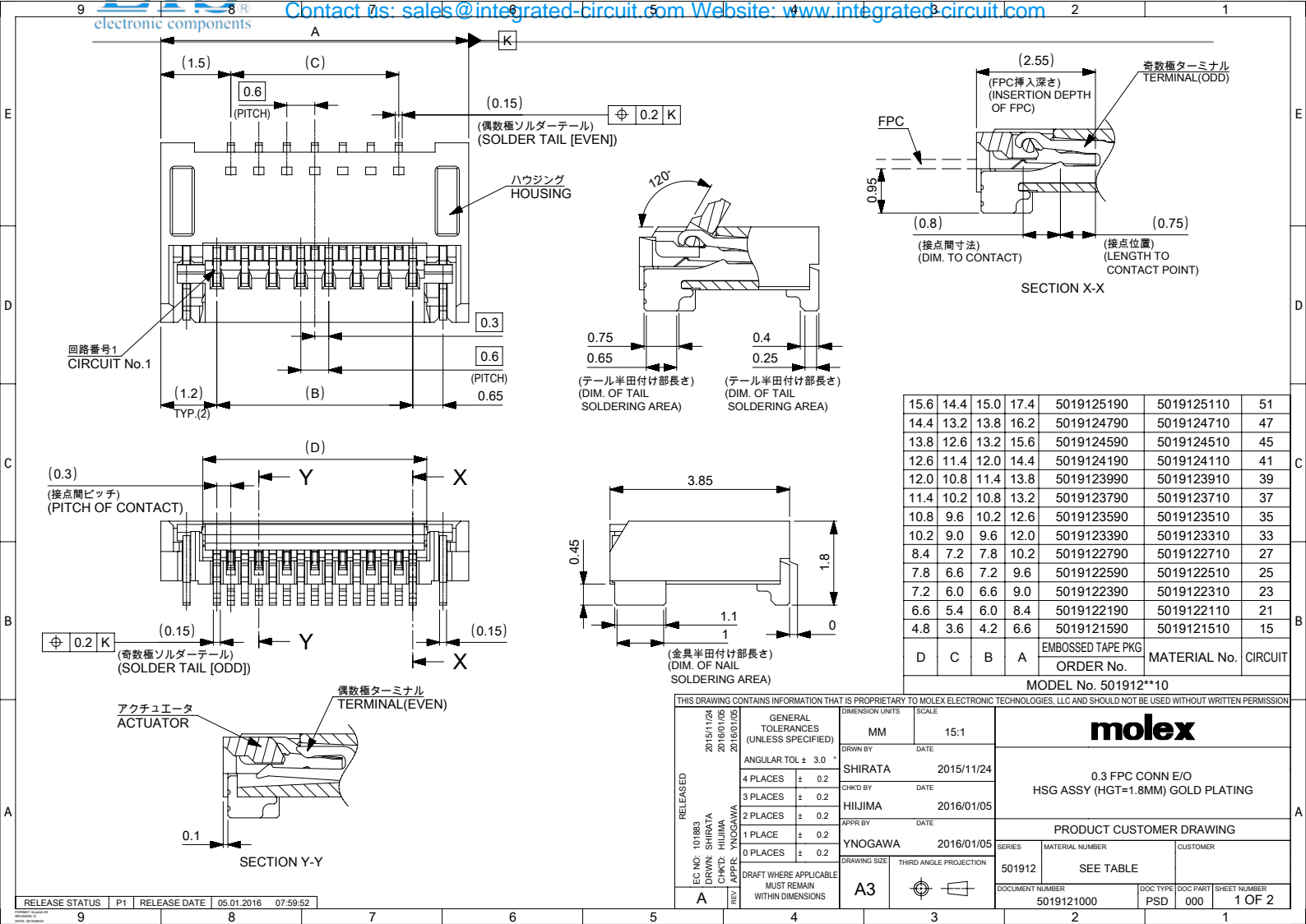
SECT. X-X

32mm幅キャリアテープ
32mm WIDTH CARRIER TAPE

32	33.5	15.4	17.6	5019125190	51
		14.2	16.4	5019124790	47
		13.6	15.8	5019124590	45
キャリアテープ幅 CARRIER TAPE WIDTH	C	(B)	(A)	オーダー番号 ORDER NO.	極数 Ckt
501912**90				MODEL NO.	

THIS DRAWING CONTAINS INFORMATION THAT IS PROPRIETARY TO MOLEX ELECTRONIC TECHNOLOGIES, LLC AND SHOULD NOT BE USED WITHOUT WRITTEN PERMISSION						
RELEASED EC NO. 101883 DRWN: SHIRATA CHKD: HIJIMA APPR: YNOGAWA REV:	GENERAL TOLERANCES (UNLESS SPECIFIED)		MM	SCALE	molex EMBSTP PKG FOR 0.3 FPC CONN (HGT=1.8MM) GOLD PLATING PRODUCT CUSTOMER DRAWING	
	ANGULAR TOL ± 3.0 °		NTS			
	4 PLACES ± 0.2	DRWN BY	SHIRATA	DATE		2015/11/24
	3 PLACES ± 0.2	CHKD BY	HIJIMA	DATE		2016/01/05
	2 PLACES ± 0.2	APPR BY	YNOGAWA	DATE		2016/01/05
	1 PLACE ± 0.2	DRWG SIZE	A3	THIRD ANGLE PROJECTION		
0 PLACES ± 0.2	DRAFT WHERE APPLICABLE MUST REMAIN WITHIN DIMENSIONS				SERIES: 501912 MATERIAL NUMBER: SEE TABLE CUSTOMER:	
RELEASE STATUS P1		RELEASE DATE	05.01.2016	07:59:50	DOCUMENT NUMBER: 5019120000 DOC TYPE: PSD DOC PART: 000 SHEET NUMBER: 4 OF 4	

RELEASE STATUS	P1	RELEASE DATE	05.01.2016	07:59:50
----------------	----	--------------	------------	----------



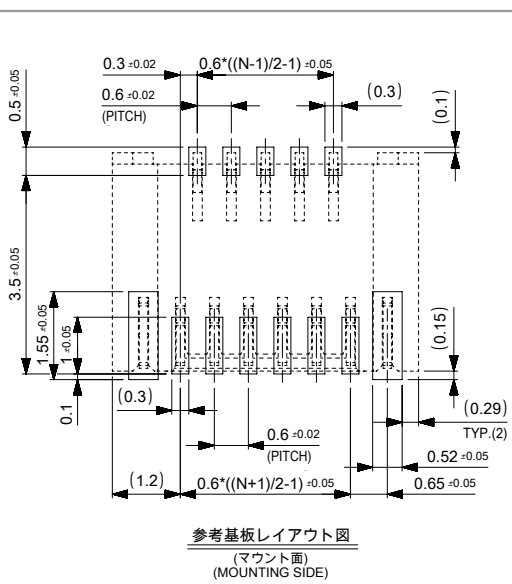
15.6	14.4	15.0	17.4	5019125190	5019125110	51
14.4	13.2	13.8	16.2	5019124790	5019124710	47
13.8	12.6	13.2	15.6	5019124590	5019124510	45
12.6	11.4	12.0	14.4	5019124190	5019124110	41
12.0	10.8	11.4	13.8	5019123990	5019123910	39
11.4	10.2	10.8	13.2	5019123790	5019123710	37
10.8	9.6	10.2	12.6	5019123590	5019123510	35
10.2	9.0	9.6	12.0	5019123390	5019123310	33
8.4	7.2	7.8	10.2	5019122790	5019122710	27
7.8	6.6	7.2	9.6	5019122590	5019122510	25
7.2	6.0	6.6	9.0	5019122390	5019122310	23
6.6	5.4	6.0	8.4	5019122190	5019122110	21
4.8	3.6	4.2	6.6	5019121590	5019121510	15

D	C	B	A	EMBOSSED TAPE PKG ORDER No.	MATERIAL No.	CIRCUIT
---	---	---	---	-----------------------------	--------------	---------

MODEL No. 501912**10

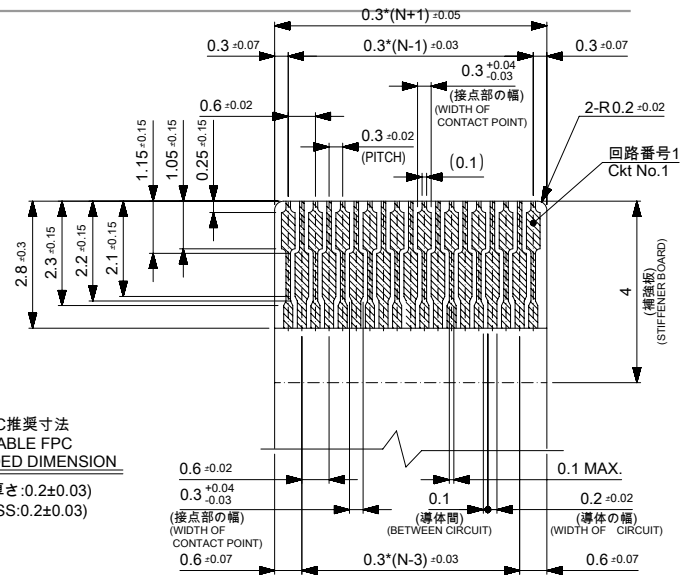
THIS DRAWING CONTAINS INFORMATION THAT IS PROPRIETARY TO MOLEX ELECTRONIC TECHNOLOGIES, LLC AND SHOULD NOT BE USED WITHOUT WRITTEN PERMISSION.		DIMENSION UNITS: MM SCALE: 15:1		molex 0.3 FPC CONN E/O HSG ASSY (HGT=1.8MM) GOLD PLATING	
GENERAL TOLERANCES (UNLESS SPECIFIED) ANGULAR TOL ± 3.0 °		DRWN BY: SHIRATA DATE: 2015/11/24			
4 PLACES ± 0.2 3 PLACES ± 0.2 2 PLACES ± 0.2 1 PLACE ± 0.2 0 PLACES ± 0.2		CHKD BY: HIJIMA DATE: 2016/01/05		PRODUCT CUSTOMER DRAWING	
DRAFT WHERE APPLICABLE MUST REMAIN WITHIN DIMENSIONS		APPR BY: YNOGAWA DATE: 2016/01/05		SERIES: 501912 MATERIAL NUMBER: SEE TABLE CUSTOMER:	
A3		DRAWING SIZE: A3 THIRD ANGLE PROJECTION		DOCUMENT NUMBER: 5019121000 DOC TYPE: PSD DOC PART: 000 SHEET NUMBER: 1 OF 2	

RELEASE STATUS	P1	RELEASE DATE	05.01.2016	07:59:52
----------------	----	--------------	------------	----------



適合FPC推奨寸法
APPLICABLE FPC
RECOMMENDED DIMENSION

(仕上がり厚さ: 0.2±0.03)
(THICKNESS: 0.2±0.03)



注記 NOTES

1. 使用材料 MATERIAL

- ハウジング : 耐熱性樹脂 ガラス充填 UL94V-0
- HOUSING : HEAT RESISTANCE POLYMER (GLASS FILLED) UL94V-0
- アクチュエータ : 耐熱性樹脂 ガラス充填 UL94V-0
- ACTUATOR : HEAT RESISTANCE POLYMER (GLASS FILLED) UL94V-0
- ターミナル : 銅合金(t=0.15), ニッケル下地メッキ
- TERMINAL : COPPER ALLOY (t=0.15), GOLD OVER NICKEL PLATING.
- 金具 : 銅合金(t=0.15), ニッケル下地メッキ
- FITTING NAIL : COPPER ALLOY (t=0.15), TIN OVER NICKEL PLATING.

- ハウジングに黒点がある場合がありますが、問題はありません。
- ハウジングに黒点がある場合がありますが、問題はありません。
- 2. ソルダーテール半田付け面、及び金具半田付け面の平坦度 : 0.1mm MAXIMUM.
- COPLANARITY OF SOLDER TAILS AND FITTING NAILS TO BE 0.1mm MAXIMUM.
- 3. ELV AND RoHS COMPLIANT.

FPCについて:

打抜き方向は導体側から補強板側を推奨致します。
導体部については軟銅箔35マイクロメートルまたは50マイクロメートルを推奨致します。
補強フィルム材質はポリイミドを推奨致します。
補強剤は熱硬化接着剤を推奨致します。

ABOUT FPC

RECOMMENDED PUNCHER DIRECTION : FROM CONDUCTOR SIDE TO STIFFENER FILM SIDE.

RECOMMENDED CONDUCTOR SPEC :

THICKNESS OF SOFT COPPER FOIL : 35 MICROMETER OR 50 MICROMETER.

RECOMMENDED MATERIAL :

STIFFENER FILM : POLYIMIDE
BONDING AGENT : THERMOSETTING BONDING AGENT.

RELEASED		GENERAL TOLERANCES (UNLESS SPECIFIED)		DIMENSION UNITS		SCALE		molex	
EC NO. 101883		ANGULAR TOL ± 3.0 °		MM		15:1			
DRWN: SHIRATA		4 PLACES ± 0.2		DRWN BY		DATE		0.3 FPC CONN E/O HSG ASSY (HGT=1.8MM) GOLD PLATING	
CHKD: HIJIMA		3 PLACES ± 0.2		SHIRATA		2015/11/24			
APPR: YNOGAWA		2 PLACES ± 0.2		CHKD BY		DATE			
		1 PLACE ± 0.2		HIJIMA		2016/01/05		PRODUCT CUSTOMER DRAWING	
		0 PLACES ± 0.2		APPR BY		DATE			
DRAFT WHERE APPLICABLE				YNOGAWA		2016/01/05		SERIES	
MUST REMAIN WITHIN DIMENSIONS				DRAWING SIZE		THIRD ANGLE PROJECTION		MATERIAL NUMBER	
A		A3		A3		501912		SEE TABLE	
				DOCUMENT NUMBER		DOC TYPE		DOC PART	
				5019121000		PSD		000	
								SHEET NUMBER	
								2 OF 2	

RELEASE STATUS	P1	RELEASE DATE	05.01.2016	07:59:52
----------------	----	--------------	------------	----------