

## Excellent Integrated System Limited

Stocking Distributor

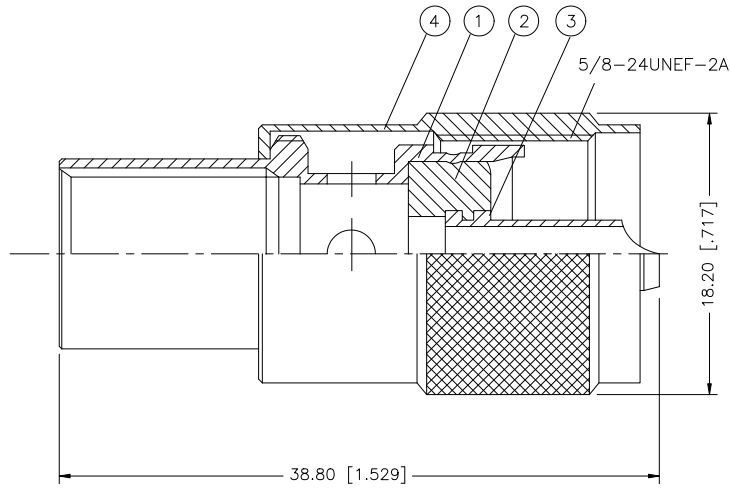
Click to view price, real time Inventory, Delivery & Lifecycle Information:

[Amphenol RF](#)  
[182116](#)

For any questions, you can email us directly:

[sales@integrated-circuit.com](mailto:sales@integrated-circuit.com)

REV.	DATE	ECR NO.	DESCRIPTION
NC	02/17/98	-	INITIAL RELEASE
A	01/05/06	-	UPDATE DRAWING FORMAT
B	12/11/08	-	REVISE COUPLING BODY TO SILVER PLATING
C	03/24/09	-	REVISE INTERNAL BODY CONFIGURATION



				UNLESS OTHERWISE SPECIFIED DIMENSIONS ARE IN MILLIMETERS. DIMENSIONS IN [ ] ARE IN INCHES AND FOR CUSTOMER REFERENCE ONLY.	APPROVALS	DATE	<b>Amphenol Connex</b>			
8					DRAWN	GRS				03/24/09
7					CHECKED			PART NO. 182116		
6					ISSUED					
5					SHEET	1 OF 1		REV. C	SIZE A	SCALE NA
4	CONTACT PIN	BRASS	SILVER	1	CAD FILE C:/182/182116.DWG					
3	INSULATOR	BAKELITE BROWN	YELLOW	1						
2	BODY	BRASS	SILVER	1						
1	SHELL	BRASS	NICKEL	1						
DESCRIPTION MATERIAL FINISH QTY				DO NOT SCALE DRAWING						

UNLESS OTHERWISE SPECIFIED DIMENSIONS ARE IN MILLIMETERS. DIMENSIONS IN [ ] ARE IN INCHES AND FOR CUSTOMER REFERENCE ONLY.

UNLESS OTHERWISE SPECIFIED TOLERANCES FOR MILLIMETERS ARE:  
 0.5 - 8mm ± 0.20mm  
 8 - 30mm ± 0.40mm  
 30 - 120mm ± 0.50mm

UNLESS OTHERWISE SPECIFIED TOLERANCES FOR INCHES ARE:  
 .020 - .315 = ± 0.007"  
 .315 - 1.180 = ± 0.015"  
 1.180 - 4.724 = ± 0.020"