

Excellent Integrated System Limited

Stocking Distributor

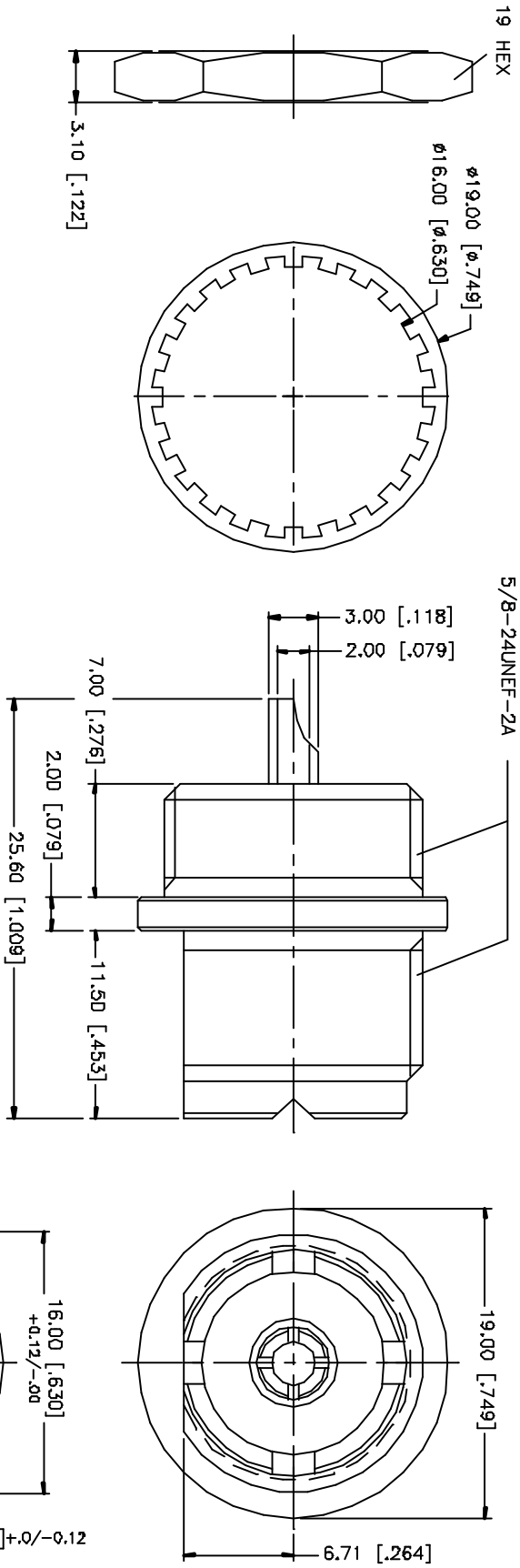
Click to view price, real time Inventory, Delivery & Lifecycle Information:

[Amphenol RF](#)
[182320](#)

For any questions, you can email us directly:

sales@integrated-circuit.com

REV.	DATE	DESCRIPTION
A	05/15/05	UPDATE DRAWING FORMAT / ADD FLAT



NOTE:
 1. PIN TO WITHSTAND 4 INCH-OUNCE RADIAL FORCE.

RECOMMENDED
 MOUNTING HOLE

NO.	DESCRIPTION	MATERIAL	FINISH	QTY
1	HEX NUT	BRASS	NICKEL	1
2	LOCK WASHER	BRASS	NICKEL	1
3	CONTACT PIN	BRASS	NICKEL	1
4	INSULATOR BODY	TEFLON	NATURAL	1
5	INSULATOR BODY	BRASS	NICKEL	1

UNLESS OTHERWISE SPECIFIED DIMENSIONS ARE IN MILLIMETERS DIMENSIONS IN PARENTHESIS ARE IN INCHES AND FOR REFERENCE PURPOSES ONLY.	UNLESS OTHERWISE SPECIFIED DIMENSIONS ARE IN MILLIMETERS DIMENSIONS IN PARENTHESIS ARE IN INCHES AND FOR REFERENCE PURPOSES ONLY.
0.5 - 30mm ± 0.20mm	0.5 - 30mm ± 0.0075"
30 - 120mm ± 0.40mm	30 - 120mm ± 0.015"
120 - 300mm ± 0.50mm	120 - 300mm ± 0.020"
300 - 600mm ± 0.75mm	300 - 600mm ± 0.030"
600 - 1200mm ± 1.00mm	600 - 1200mm ± 0.040"
1200 - 3000mm ± 1.50mm	1200 - 3000mm ± 0.050"
3000 - 6000mm ± 2.00mm	3000 - 6000mm ± 0.080"
6000 - 12000mm ± 3.00mm	6000 - 12000mm ± 0.120"
12000 - 30000mm ± 4.75mm	12000 - 30000mm ± 0.1875"

APPROVALS	DATE
DRAWN G.R.S.	05/15/05
CHECKED	
DESIGNED	
SHEET 1 OF 1	

QAD FILE	QAD NO.	REV.	SIZE	SCALE
C:/182/182320.DWG	182320.DWG	A	A	NA

Amphenol Connex

UHF BULKHEAD RECEPTACLE
 REAR MOUNT

182320