

## **Excellent Integrated System Limited**

Stocking Distributor

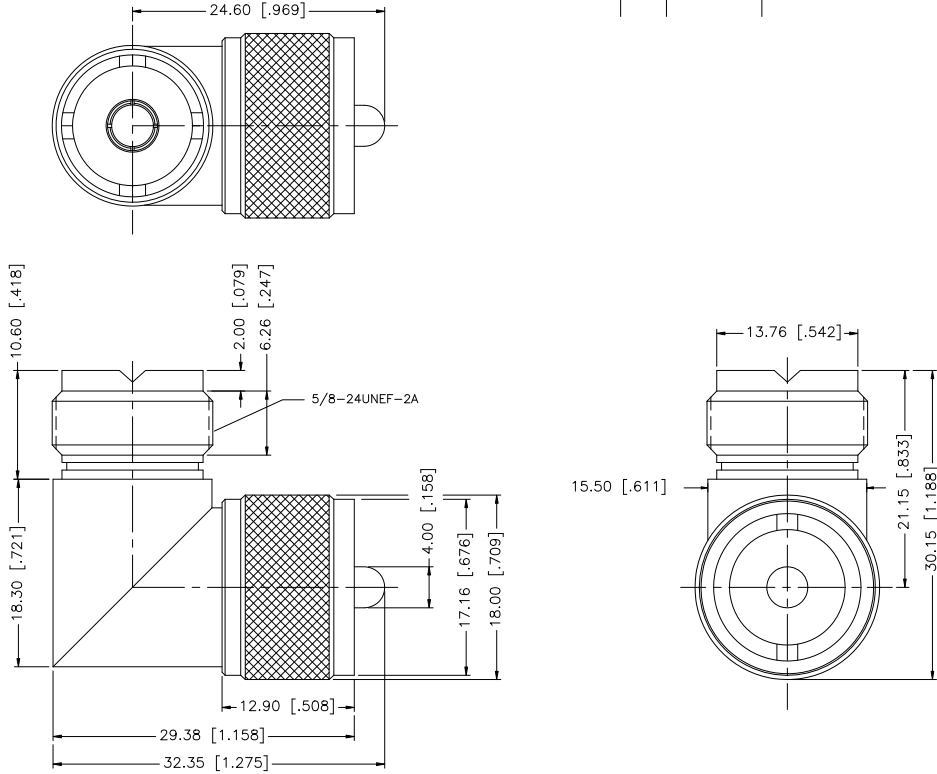
Click to view price, real time Inventory, Delivery & Lifecycle Information:

[Amphenol RF](#)  
[182134](#)

For any questions, you can email us directly:

[sales@integrated-circuit.com](mailto:sales@integrated-circuit.com)

REV.	DATE	DESCRIPTION
NC	02/05/08	INITIAL RELEASE



REV.	DATE	DESCRIPTION	APPROVALS	DATE	<h2 style="text-align: center;">Amphenol Connex</h2> <p style="text-align: center;">PART DESCRIPTION          UHF ANGLE ADAPTER JACK-PLUG          -          PART NO. 182134</p>	
8			DRAWN	G.R.S.		02/05/08
7			CHECKED			
6			ISSUED			
5			SHEET	1 OF 1		
4			CAD FILE	C:/182/182134.DWG	DWG. NO. 182134.DWG	
3					REV. NC	
2					SIZE A	
1					SCALE NA	

DESCRIPTION	MATERIAL	FINISH	QTY
CONTACT PIN	BRASS	GOLD	1
INSULATOR	PTFE	NATURAL	1
BODY	BRASS	NICKEL	1

UNLESS OTHERWISE SPECIFIED DIMENSIONS ARE IN MILLIMETERS; DIMENSIONS IN ( ) ARE IN INCHES AND FOR CUSTOMER REFERENCE ONLY.

UNLESS OTHERWISE SPECIFIED TOLERANCES FOR MILLIMETERS ARE:  
 0.5 - 8mm ± 0.20mm  
 8 - 30mm ± 0.40mm  
 30 - 120mm ± 0.50mm

UNLESS OTHERWISE SPECIFIED TOLERANCES FOR INCHES ARE:  
 .020 - .315 = ± 0.007"  
 .315 - 1.180 = ± 0.015"  
 1.180 - 4.724 = ± 0.020"

DO NOT SCALE DRAWING