



Excellent Integrated System Limited

Stocking Distributor

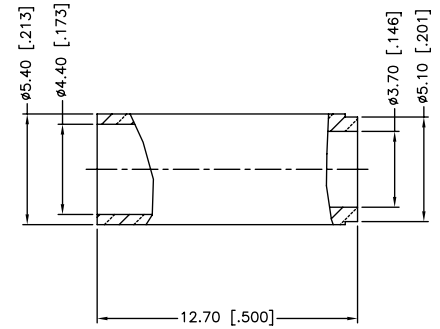
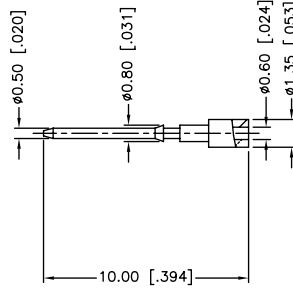
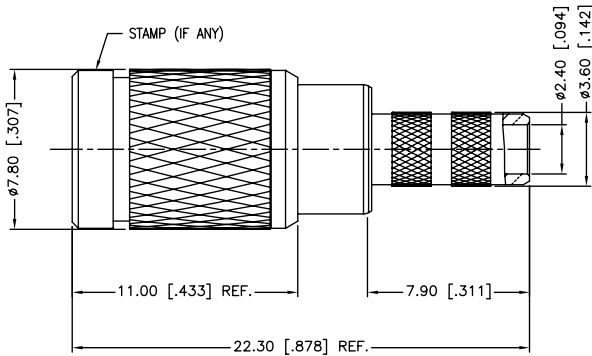
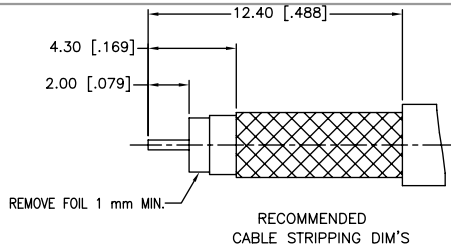
Click to view price, real time Inventory, Delivery & Lifecycle Information:

[Amphenol RF](#)
[282118-75](#)

For any questions, you can email us directly:

sales@integrated-circuit.com

REV.	DATE	ECR NO.	DESCRIPTION
NC	04/08/10	XXXXXX	INITIAL RELEASE
A	10/03/07	XXXXXX	REVISE BODY DIAMETER AND LENGTH
B	11/18/07	XXXXXX	CHANGE CABLE DESCRIPTION TO "735A CABLE"
C	04/08/10	XXXXXX	THE DESIGN WAS CHANGED
D	06/28/11	2187	THE BODY AND BARREL WERE CHANGED AND ADD NOTE 5
E	06/11/13	2479	CORRECT NOTE 4



1. FREQUENCY RANGE: DC - 3 GHz
2. VSWR (RETURN LOSS): 1.15, MAX.
3. CRIMPED FERRULE
HEX CRIMP SIZE .178"
4. CRIMPED CONTACT PIN
HEX CRIMP SIZE .042"
5. THE CONNECTOR MUST WITHSTAND THE WEIGHT OF AT LEAST 20 FEET OF CABLE

DESCRIPTION	MATERIAL	FINISH	QTY
8 FERRULE	BRASS	NICKEL	1
7 CONTACT PIN	BRASS	GOLD	1
6 BARREL	BRASS	NICKEL	1
5 INSULATOR	PTFE	NATURAL	1
4 OUT CONTACT	BER. COPPER	GOLD	1
3 BODY	BRASS	NICKEL	1
2 SPRING	SUS 301H	PASSIVATED	1
1 SHELL	BRASS	NICKEL	1

UNLESS OTHERWISE SPECIFIED DIMENSIONS ARE IN MILLIMETERS. DIMENSIONS IN [] ARE IN INCHES AND FOR CUSTOMER REFERENCE ONLY.

UNLESS OTHERWISE SPECIFIED TOLERANCES FOR MILLIMETERS ARE:
 0.5 - 8mm ± 0.20mm
 8 - 30mm ± 0.40mm
 30 - 120mm ± 0.50mm

UNLESS OTHERWISE SPECIFIED TOLERANCES FOR INCHES ARE:
 .020 - .315 = ± 0.007"
 .315 - 1.180 = ± 0.015"
 1.180 - 4.724 = ± 0.020"

DO NOT SCALE DRAWING

APPROVALS	DATE
DRAWN M.ZHANG	06/11/13
CHECKED	
ISSUED	
SHEET 1 OF 1	
CAD FILE C:/CONNEX/282118-75.DWG	

Amphenol Connex

PART DESCRIPTION
**1.0/2.3 PUSH-PULL CRIMP PLUG
(FOR AT&T 735A CABLE)**

PART NO.
282118-75

DWG. NO. 282118-75.DWG

REV. E	SIZE A	SCALE NA
--------	--------	----------