

Excellent Integrated System Limited

Stocking Distributor

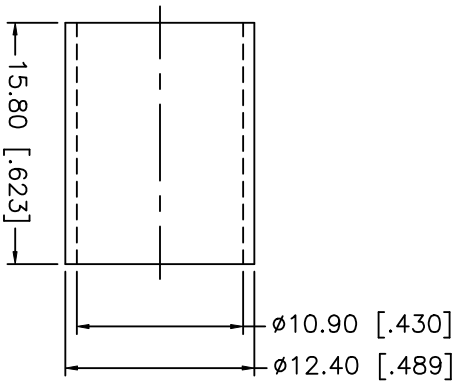
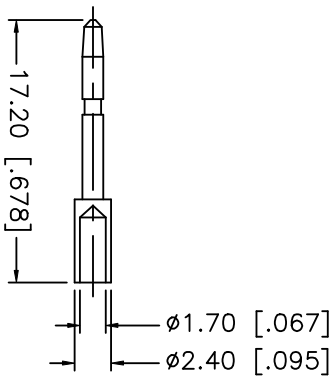
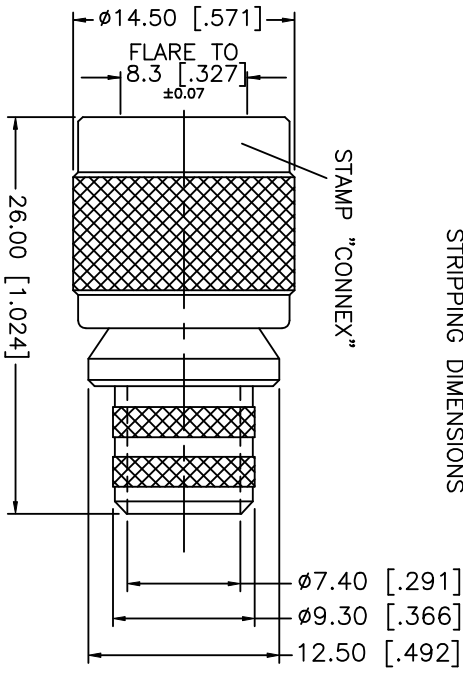
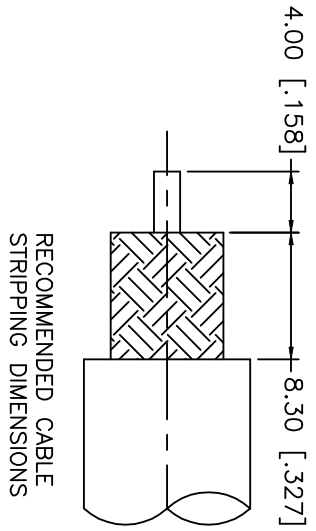
Click to view price, real time Inventory, Delivery & Lifecycle Information:

[Amphenol RF](#)
[122470](#)

For any questions, you can email us directly:

sales@integrated-circuit.com

REV.	DATE	DESCRIPTION
A	10/25/99	UPDATE CONTACT PIN



- CRIMP NOTES:
1. CRIMPED FERRULE
HEX CRIMP SIZE .429"
 2. CRIMP CONTACT PIN
HEX CRIMP SIZE .068"

DESCRIPTION	MATERIAL	FINISH	UNLESS OTHERWISE SPECIFIED DIMENSIONS ARE IN MILLIMETERS	APPROVALS	DATE	TITLE	
1 BODY	BRASS	NICKEL	DIMENSIONS IN [] ARE IN INCHES FOR CUSTOMER REFERENCE ONLY UNLESS OTHERWISE SPECIFIED TOLERANCES FOR MILLIMETERS ARE: 0.3-6 = ± 0.2 6-30 = ± 0.4 30-120 = ± 0.6 120-315 = ± 1 315-1000 = ± 1.6 1000-2000 = ± 2.4	DRAWN	G.R.S.	10/25/99	Amphenol - Connex CONNECTOR CORPORATION TNC CRIMP PLUG (FOR BELDEN 9292, 8213, CABLE)
2 INSULATOR	TEFLON	NATURAL		CHECKED			
3 CONTACT PIN	BRASS	GOLD		ISSUED			
4 FERRULE	BRASS	NICKEL					
5							
6							
7							
8							

SIZE	FSCM NO.	DWG. NO.	REV.
A	99001	122470.DWG	NC
SCALE	PART NO.	SHEET	
NA	122470	1 OF 1	