

Excellent Integrated System Limited

Stocking Distributor

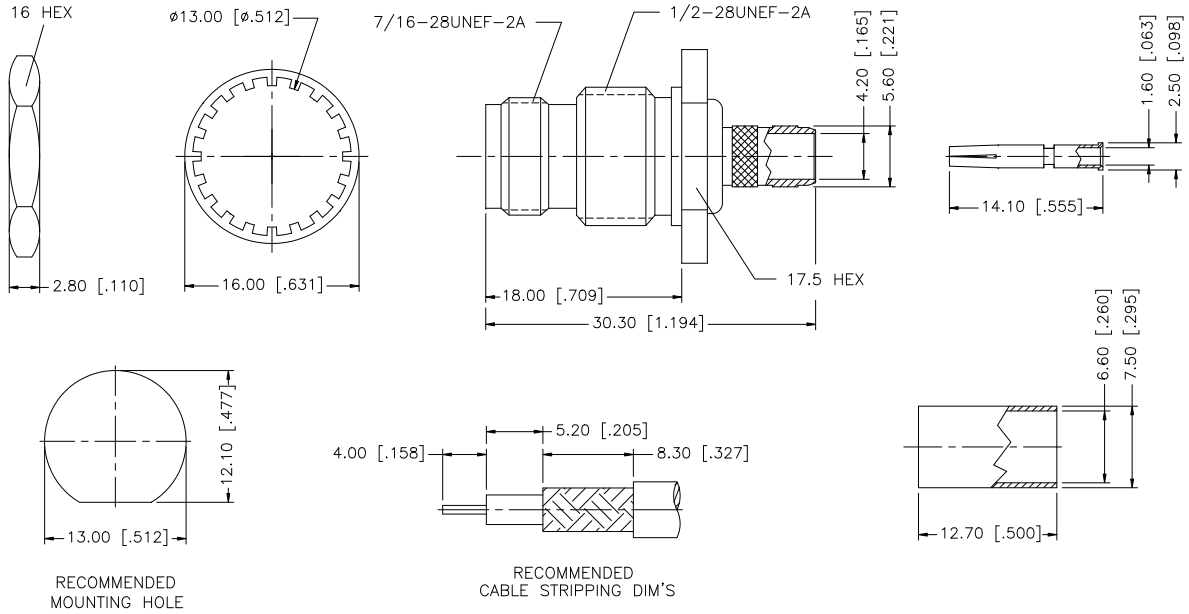
Click to view price, real time Inventory, Delivery & Lifecycle Information:

[Amphenol RF](#)
[122415](#)

For any questions, you can email us directly:

sales@integrated-circuit.com

REV.	DATE	ECR NO.	DESCRIPTION
NC	08/18/98	-	INITIAL RELEASE
A	11/22/08	100059	INITIAL RELEASE



QTY	DESCRIPTION	MATERIAL	FINISH	QTY
1	HOUSING	BRASS	NICKEL	1
2	BODY	BRASS	NICKEL	1
3	INSULATOR	PTFE	NATURAL	1
4	CONTACT PIN	PHOS. BRONZE	GOLD	1
5	GASKET	SILICONE	RED	1
6	LOCK WASHER	BRASS	NICKEL	1
7	HEX NUT	BRASS	NICKEL	1
8	FERRULE	COPPER	NICKEL	1

UNLESS OTHERWISE SPECIFIED DIMENSIONS ARE IN MILLIMETERS. DIMENSIONS IN [] ARE IN INCHES AND FOR CUSTOMER REFERENCE ONLY.

UNLESS OTHERWISE SPECIFIED TOLERANCES FOR MILLIMETERS ARE:
 0.5 - 8mm ± 0.20mm
 8 - 30mm ± 0.40mm
 30 - 120mm ± 0.50mm

UNLESS OTHERWISE SPECIFIED TOLERANCES FOR INCHES ARE:
 .020 - .315 = ± 0.007"
 .315 - 1.180 = ± 0.015"
 1.180 - 4.724 = ± 0.020"

DO NOT SCALE DRAWING

APPROVALS	DATE
DRAWN GRS	11/22/08
CHECKED	
ISSUED	
SHEET 1 OF 1	
CAD FILE	C:/122/122415.DWG

<h1>Amphenol Connex</h1>			
PART DESCRIPTION			
TNC BULKHEAD CRIMP JACK - LMR 240			
PART NO. 122415			
DWG. NO.	122415.DWG	REV. A	SIZE A
			SCALE NA