

Excellent Integrated System Limited

Stocking Distributor

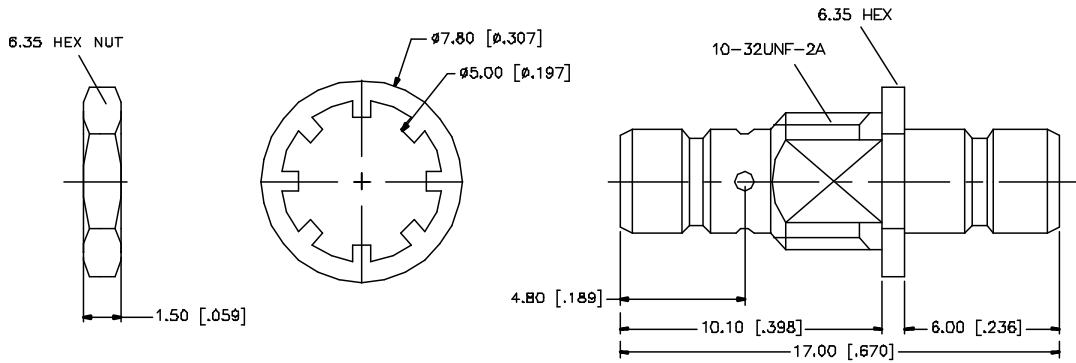
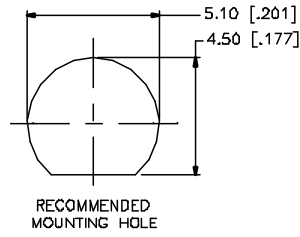
Click to view price, real time Inventory, Delivery & Lifecycle Information:

[Amphenol RF](#)
[142250](#)

For any questions, you can email us directly:

sales@integrated-circuit.com

REV.	DATE	DESCRIPTION
A	03/27/05	UPDATE DRAWING FORMAT



8				<small>UNLESS OTHERWISE SPECIFIED DIMENSIONS ARE IN MILLIMETERS. DIMENSIONS IN [] ARE IN INCHES AND FOR CUSTOMER INFORMATION ONLY.</small> <small>UNLESS OTHERWISE SPECIFIED TOLERANCES FOR MILLIMETERS ARE:</small> 0.5 - 8mm ± 0.20mm 8 - 30mm ± 0.40mm 30 - 120mm ± 0.50mm <small>UNLESS OTHERWISE SPECIFIED TOLERANCES FOR INCHES ARE:</small> .020 - .315 = ± 0.007" .315 - 1.180 = ± 0.015" 1.180 - 4.724 = ± 0.020" DO NOT SCALE DRAWING	APPROVALS	DATE				
7					DRAWN	G.R.S.		03/27/05		
6					CHECKED					
5					ISSUED					
4					SHEET	1 OF 1				
3	CONTACT PIN	BRASS	GOLD		1	PART DESCRIPTION		SMB BULKHEAD JACK TO JACK ADAPTER		
2	INSULATDR	TEFLON	NATURAL		1	PART NO.			142250	
1	BODY	BRASS	GOLD		1	CAD FILE		C:/142/142250.DWG	DWG. NO. 142250.DWG	REV. A