

## **Excellent Integrated System Limited**

Stocking Distributor

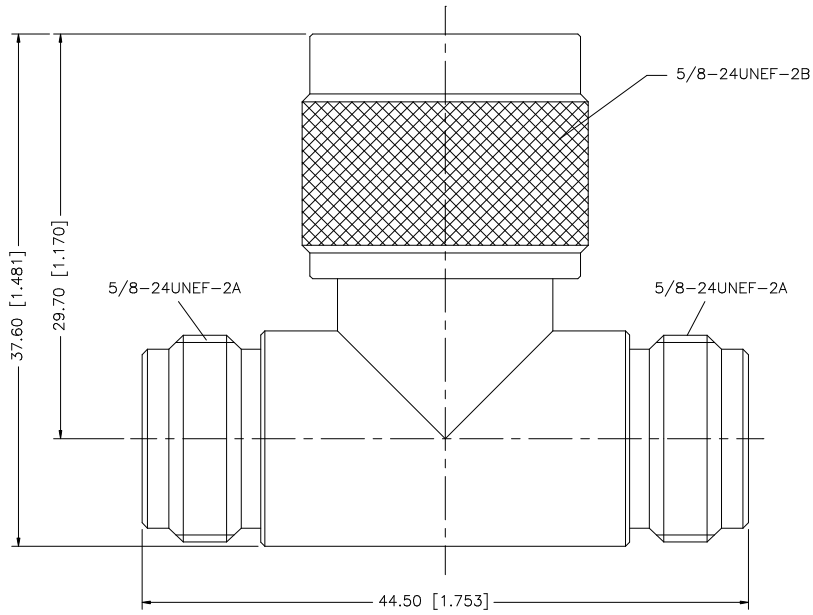
Click to view price, real time Inventory, Delivery & Lifecycle Information:

[Amphenol RF](#)  
[172125](#)

For any questions, you can email us directly:

[sales@integrated-circuit.com](mailto:sales@integrated-circuit.com)

REV.	DATE	DESCRIPTION
NC	06/03/96	INITIAL RELEASE
A	10/01/06	UPDATE DRAWING FORMAT
B	10/19/06	REVISE BODY PLATING TO NEXCOTE



				UNLESS OTHERWISE SPECIFIED DIMENSIONS ARE IN MILLIMETERS. DIMENSIONS IN [ ] ARE IN INCHES AND FOR CUSTOMER REFERENCE ONLY.	APPROVALS	DATE	<b>Amphenol Connex</b>							
8					DRAWN	G.R.S.		10/19/06						
7					CHECKED									
6					ISSUED									
5					SHEET	1 OF 1								
4					PART DESCRIPTION									
3	CONTACT PIN	BRASS	GOLD	3	N "T" ADAPTER JACK-PLUG-JACK									
2	INSULATOR	TEFLON	NATURAL	1	PART NO.									
1	BODY	BRASS	NEXCOTE	1	172125									
	DESCRIPTION	MATERIAL	FINISH	QTY	CAD FILE	C:/172/172125.DWG	DWG. NO.	172125.DWG	REV.	B	SIZE	A	SCALE	NA

UNLESS OTHERWISE SPECIFIED DIMENSIONS ARE IN MILLIMETERS. DIMENSIONS IN [ ] ARE IN INCHES AND FOR CUSTOMER REFERENCE ONLY.

UNLESS OTHERWISE SPECIFIED TOLERANCES FOR MILLIMETERS ARE:  
 0.5 - 8mm ± 0.20mm  
 8 - 30mm ± 0.40mm  
 30 - 120mm ± 0.50mm

UNLESS OTHERWISE SPECIFIED TOLERANCES FOR INCHES ARE:  
 .020 - .315 = ± 0.007"  
 .315 - 1.180 = ± 0.015"  
 1.180 - 4.724 = ± 0.020"

DO NOT SCALE DRAWING