

Excellent Integrated System Limited

Stocking Distributor

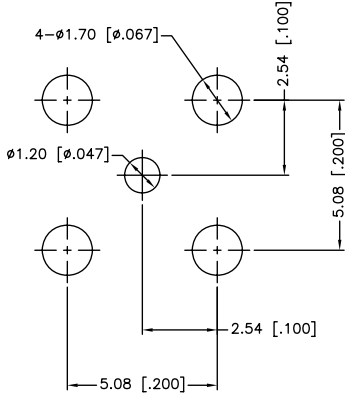
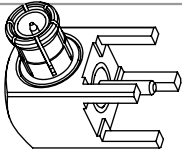
Click to view price, real time Inventory, Delivery & Lifecycle Information:

[Amphenol RF](#)
[252155](#)

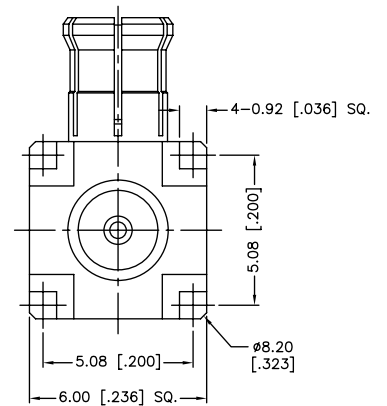
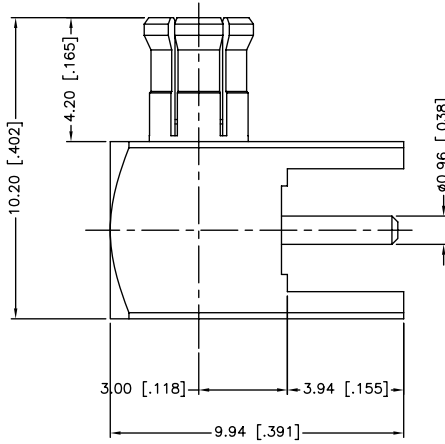
For any questions, you can email us directly:

sales@integrated-circuit.com

REV.	DATE	ECR NO.	DESCRIPTION
NC	12/16/98	XXXXXX	INITIAL RELEASE
A	12/31/05	XXXXXX	UPDATE DRAWING FORMAT
B	10/28/11	2248	ADD DIMENSIONS & ADD NOTES & UPDATE BOTTOM VIEW



PCB MOUNTING HOLE



1. IMPEDANCE:50 OHM
2. FREQUENCY RANGE: DC 0-2.5 GHz
3. DIELECTRIC WITHSTANDING VOLTAGE: 1000 VRMS, MIN.
4. DURABILITY:500 CYCLES MIN.
5. TEMPERATURE RANGE: -55°C TO +155°C

QTY	DESCRIPTION	MATERIAL	FINISH
1	HOUSING	BRASS	GOLD
1	INSULATOR	PTFE	NATURAL
1	CONTACT PIN	BRASS	GOLD
1	INSULATOR	PTFE	NATURAL
1	INSULATOR	PTFE	NATURAL
1	BODY	BERYLLIUM COPPER	GOLD

UNLESS OTHERWISE SPECIFIED DIMENSIONS ARE IN MILLIMETERS. DIMENSIONS IN [] ARE IN INCHES AND FOR CUSTOMER REFERENCE ONLY.

UNLESS OTHERWISE SPECIFIED TOLERANCES FOR MILLIMETERS ARE:
 0.5 - 8mm ± 0.20mm
 8 - 30mm ± 0.40mm
 30 - 120mm ± 0.50mm

UNLESS OTHERWISE SPECIFIED TOLERANCES FOR INCHES ARE:
 .020 - .315 = ± 0.007"
 .315 - 1.180 = ± 0.015"
 1.180 - 4.724 = ± 0.020"

DO NOT SCALE DRAWING

APPROVALS	DATE
DRAWN M.ZHANG	10/28/11
CHECKED	
ISSUED	
SHEET 1 OF 1	
CAD FILE C:/CONNEX/252155.DWG	

Amphenol Connex			
PART DESCRIPTION MCX R/A P.C. BOARD RECEPT. PLUG			
PART NO. 252155			
DWG. NO. 252155.DWG	REV. B	SIZE A	SCALE NA