

Excellent Integrated System Limited

Stocking Distributor

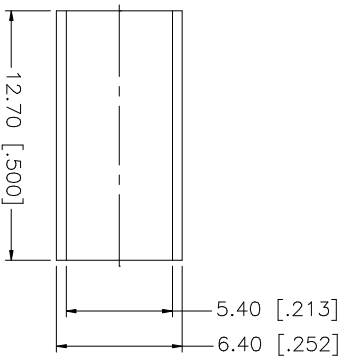
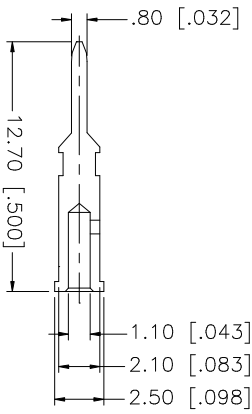
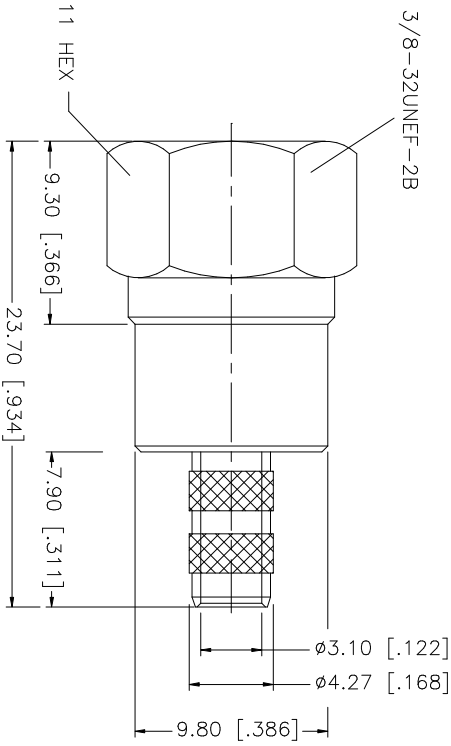
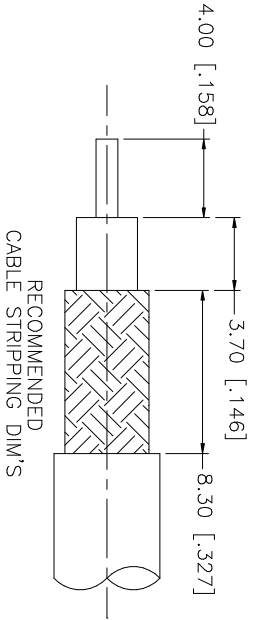
Click to view price, real time Inventory, Delivery & Lifecycle Information:

[Amphenol RF](#)
[222197](#)

For any questions, you can email us directly:

sales@integrated-circuit.com

REV.	DATE	DESCRIPTION
NC	04/07/06	INITIAL RELEASE



NOTES:

1. CRIMPED FERRULE
HEX CRIMP SIZE .213"
2. CONTACT PIN TO SOLDER OR
.068" HEX CRIMP.

NO.	DESCRIPTION	MATERIAL	FINISH	QTY	UNLESS OTHERWISE SPECIFIED DIMENSIONS ARE IN MILLIMETERS, DIMENSIONS IN [] ARE IN INCHES AND FOR CUSTOMER REFERENCE ONLY. UNLESS OTHERWISE SPECIFIED TOLERANCES FOR MILLIMETERS ARE: 0.5 - 8mm ± 0.20mm 8 - 30mm ± 0.40mm 30 - 120mm ± 0.50mm UNLESS OTHERWISE SPECIFIED TOLERANCES FOR INCHES ARE: .020 - .315 = ± 0.007" .315 - 1.180 = ± 0.015" 1.180 - 4.724 = ± 0.020"	APPROVALS	DATE	PART DESCRIPTION
8								<p style="text-align: center;">Amphenol Connex</p> <p style="text-align: center;">F CRIMP PLUG (FOR RG-58/U, 58C/U CABLE)</p> <p style="text-align: center;">222197</p>
7								
6								
5								
4	FERRULE	COPPER	NICKEL	1				
3	CONTACT PIN	BRASS	GOLD	1				
2	INSULATOR	TEFLON	NATURAL	1				
1	BODY	BRASS	NICKEL	1				
DESCRIPTION								
MATERIAL								
FINISH								
QTY								
DO NOT SCALE DRAWING								
CAD FILE								
C:/222/222197.DWG								
DWG. NO.								
222197.DWG								
REV.								
NC								
SIZE								
A								
SCALE								
NA								