

Excellent Integrated System Limited

Stocking Distributor

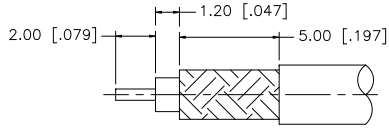
Click to view price, real time Inventory, Delivery & Lifecycle Information:

[Amphenol RF](#)
[222113](#)

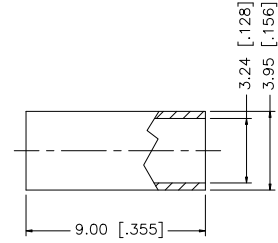
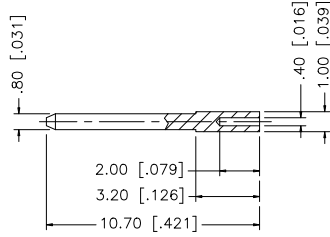
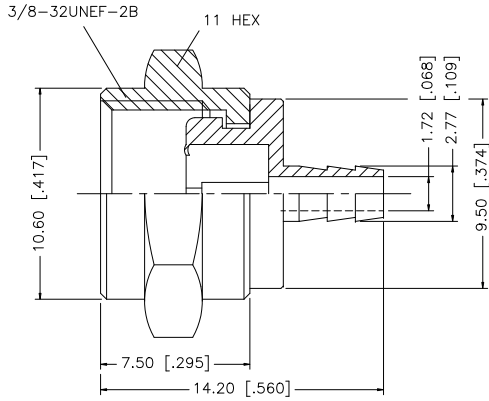
For any questions, you can email us directly:

sales@integrated-circuit.com

REV.	DATE	ECR NO.	DESCRIPTION
A	07/21/98	-	REDIMENSION AND ADD NOTES
B	05/19/03	-	UPDATE DRAWING FORMAT
C	02/10/04	-	MODIFY PLATING SPECS
D	09/30/05	-	REVISE ALL PLATING TO BRT. TIN
E	11/14/05	-	UPDATE COMPONENT DIMENSIONS
F	12/09/08	100063	REVISE PLATING TO NICKEL



RECOMMENDED
CABLE STRIPPING DIM'S



NOTE: 1. CRIMPED FERRULE HEX CRIMP SIZE .128" [3.25]

8					UNLESS OTHERWISE SPECIFIED DIMENSIONS ARE IN MILLIMETERS. DIMENSIONS IN [] ARE IN INCHES AND FOR CUSTOMER REFERENCE ONLY.	APPROVALS	DATE	Amphenol Connex			
7					UNLESS OTHERWISE SPECIFIED TOLERANCES FOR MILLIMETERS ARE: 0.5 - 8mm ± 0.20mm 8 - 30mm ± 0.40mm 30 - 120mm ± 0.50mm	DRAWN	GRS				12/09/08
6	FERRULE	COPPER	NICKEL	1	UNLESS OTHERWISE SPECIFIED TOLERANCES FOR INCHES ARE: .020 - .315 = ± 0.007" .315 - 1.180 = ± 0.015" 1.180 - 4.724 = ± 0.020"	CHECKED			PART NO. 222113		
5	RING	BRASS	NICKEL	1	DO NOT SCALE DRAWING	ISSUED					
4	CONTACT PIN	BRASS	GOLD	1		SHEET	1 OF 1		REV. F	SIZE A	SCALE NA
3	DIELECTRIC	PTFE	NATURAL	1		CAD FILE	C:/222/222113.DWG				
2	BODY	BRASS	NICKEL	1							
1	DESCRIPTION	MATERIAL	FINISH	QTY							