

## Excellent Integrated System Limited

Stocking Distributor

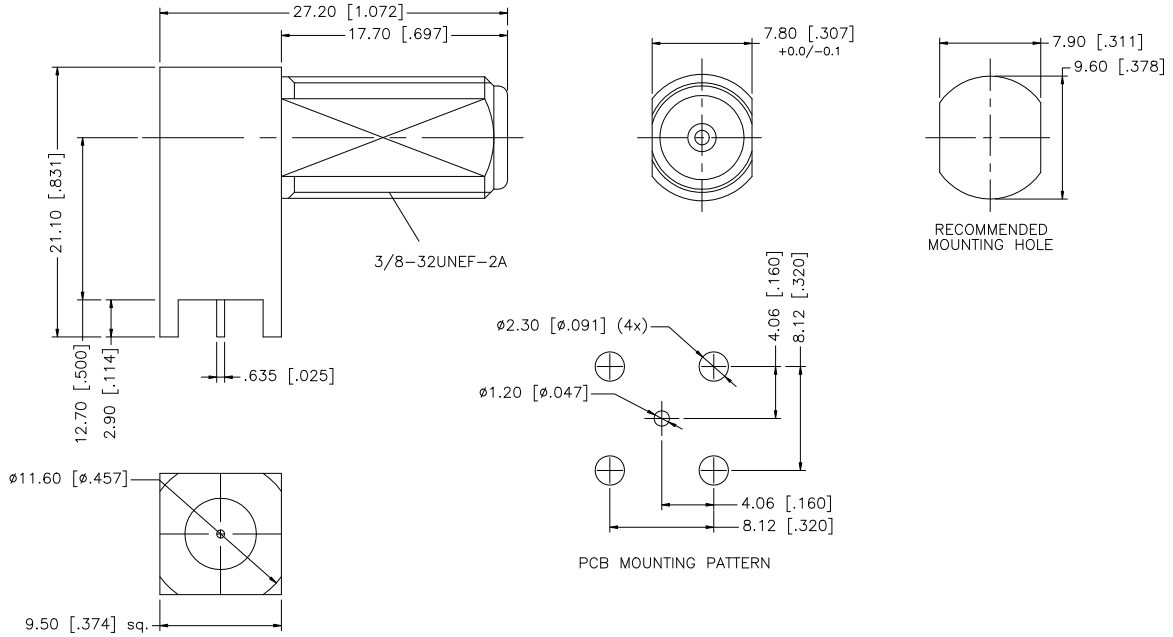
Click to view price, real time Inventory, Delivery & Lifecycle Information:

[Amphenol RF](#)  
[222180](#)

For any questions, you can email us directly:

[sales@integrated-circuit.com](mailto:sales@integrated-circuit.com)

REV.	DATE	DESCRIPTION
NC	05/20/02	INITIAL RELEASE
A	04/11/06	UPDATE DRAWING FORMAT



NOTES:

1. ACCEPTS  $\phi 0.5 \sim 1.05$  CENTER CONDUCTOR TYPICAL.
2. RETURN LOSS  $-15\text{db}$  MIN. AT 2 GHz.
3. BRT. TIN (90/100) PL. 100 MIN. THICK OVER NICKEL PL. 50 MIN.

DESCRIPTION	MATERIAL	FINISH	QTY	UNLESS OTHERWISE SPECIFIED DIMENSIONS ARE IN MILLIMETERS. DIMENSIONS IN [ ] ARE IN INCHES AND FOR CUSTOMER REFERENCE ONLY.	APPROVALS	DATE	<h1 style="color: blue; margin: 0;">Amphenol Connex</h1>	
8								<b>F R/A PC MOUNT RECEPTACLE (HIGH PERFORMANCE)</b>
7								
6	INSULATOR	TEFLON	NATURAL	1		04/11/06	<b>222180</b>	
5	CONTACT PIN	BRASS	GOLD	1				
4	INSULATOR	TEFLON	NATURAL	1			<b>222180.DWG</b>	
3	CONTACT PIN	BER. COPPER	GOLD	1				
2	INSULATOR	TEFLON	BRT. TIN	1			REV. A    SIZE A    SCALE NA	
1	BODY	BRASS	BRT. TIN	1				
				<small>UNLESS OTHERWISE SPECIFIED DIMENSIONS ARE IN MILLIMETERS. DIMENSIONS IN [ ] ARE IN INCHES AND FOR CUSTOMER REFERENCE ONLY.</small> <small>UNLESS OTHERWISE SPECIFIED TOLERANCES FOR MILLIMETERS ARE:</small> 0.5 - 8mm $\pm 0.20\text{mm}$ 8 - 30mm $\pm 0.40\text{mm}$ 30 - 120mm $\pm 0.50\text{mm}$ <small>UNLESS OTHERWISE SPECIFIED TOLERANCES FOR INCHES ARE:</small> .020 - .315 = $\pm 0.007$ " .315 - 1.180 = $\pm 0.015$ " 1.180 - 4.724 = $\pm 0.020$ "	DRAWN G.R.S. CHECKED ISSUED SHEET 1 OF 1	CAD FILE C:/222/1222180.DWG		