

## **Excellent Integrated System Limited**

Stocking Distributor

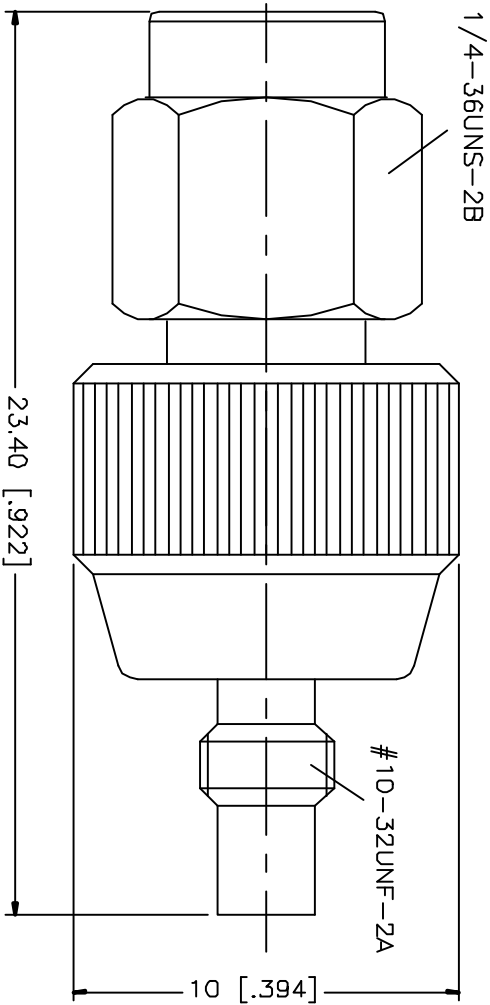
Click to view price, real time Inventory, Delivery & Lifecycle Information:

[Amphenol RF](#)  
[242174](#)

For any questions, you can email us directly:

[sales@integrated-circuit.com](mailto:sales@integrated-circuit.com)

REV.	DATE	DESCRIPTION
A	12/16/01	MODIFY PART DESCRIPTION



DESCRIPTION	MATERIAL	FINISH	UNLESS OTHERWISE SPECIFIED DIMENSIONS ARE IN MILLIMETERS	APPROVALS	DATE	TITLE
1 BODY	BRASS	NICKEL	DIMENSIONS IN [ ] ARE IN INCHES FOR CUSTOMER REFERENCE ONLY	DRAWN G.R.S.	12/16/01	<b>comnex</b> Connector Corporation SMA PLUG TO SMC JACK ADAPTOR
2 INSULATOR	TEFLON	NATURAL	UNLESS OTHERWISE SPECIFIED TOLERANCES FOR MILLIMETERS ARE:	CHECKED		
3 CONTACT PIN	BER. COPPER	GOLD	0.5-6 = ± 0.2	ISSUED		
			6-30 = ± 0.4			
			30-120 = ± 0.6			
			120-315 = ± 1			
			315-1000 = ± 1.6			
			1000-2000 = ± 2.4			
8			DO NOT SCALE DRAWING			SIZE: A SCALE: NA FSCM NO: 99001 PART NO: 242174 DWG NO: 242174.DWG SHEET: 1 OF 1 REV: A