

## **Excellent Integrated System Limited**

Stocking Distributor

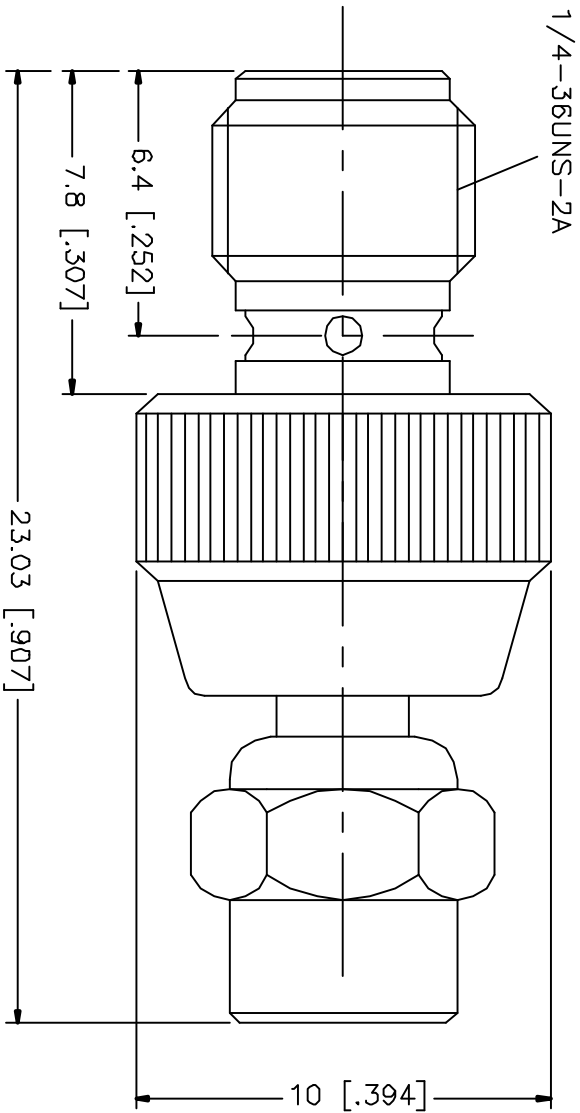
Click to view price, real time Inventory, Delivery & Lifecycle Information:


[Amphenol RF](#)  
[242175](#)

For any questions, you can email us directly:

[sales@integrated-circuit.com](mailto:sales@integrated-circuit.com)

REV.	DATE	DESCRIPTION
NC	10/31/01	INITIAL RELEASE



8				UNLESS OTHERWISE SPECIFIED DIMENSIONS ARE IN MILLIMETERS DIMENSIONS IN [ ] ARE IN INCHES FOR CUSTOMER REFERENCE ONLY	APPROVALS	DATE	TITLE			SHEET			
7					DRAWN	10/31/01	 SMA JACK TO SMC PLUG ADAPTOR			1 OF 1			
6					CHECKED					SIZE	FCSM NID	DWG NID	REV.
5				UNLESS OTHERWISE SPECIFIED TOLERANCES FOR MILLIMETERS ARE	ISSUED					A	99001	242175.DWG	NC
4				0.5-6 = ± 0.2 6-30 = ± 0.4 30-120 = ± 0.6 120-315 = ± 1 315-1000 = ± 1.6 1000-2000 = ± 2.4			SCALE	PART NO.					
3	CONTACT PIN	BER COPPER	GOLD				NA	242175					
2	INSULATOR	TEFLON	NATURAL										
1	BODY	BRASS	GOLD										
	DESCRIPTION	MATERIAL	FINISH	DO NOT SCALE DRAWING									