

Excellent Integrated System Limited

Stocking Distributor

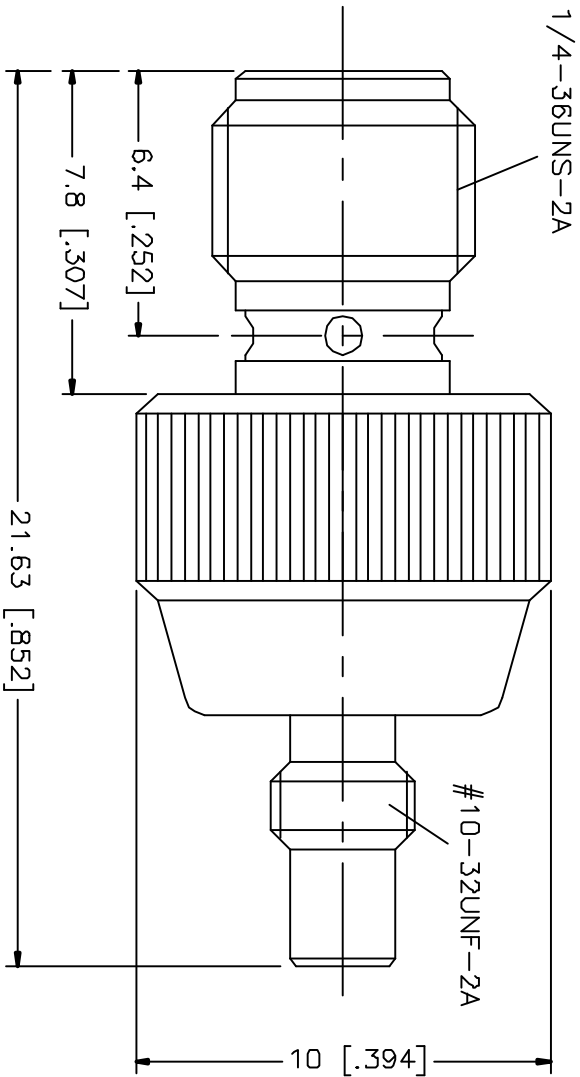
Click to view price, real time Inventory, Delivery & Lifecycle Information:

[Amphenol RF](#)
[242176](#)

For any questions, you can email us directly:

sales@integrated-circuit.com

REV.	DATE	DESCRIPTION
NC	10/31/01	INITIAL RELEASE



8				UNLESS OTHERWISE SPECIFIED DIMENSIONS ARE IN MILLIMETERS	APPROVALS	DATE	TITLE			SHEET
7				DIMENSIONS IN [] ARE IN INCHES FOR CUSTOMER REFERENCE ONLY	DRAWN	10/31/01	SMA JACK TO SMC JACK ADAPTOR			1 OF 1
6				UNLESS OTHERWISE SPECIFIED TOLERANCES FOR MILLIMETERS ARE	CHECKED		Connector Corporation			
5				0.5-6 = ± 0.2	ISSUED		REV.			
4				6-30 = ± 0.4			SMA JACK TO SMC JACK ADAPTOR			NC
3	CONTACT PIN	BER COPPER	GOLD	30-120 = ± 0.6			242176.DWG			
2	INSULATOR	TEFLON	NATURAL	120-315 = ± 1			242176			
1	BODY	BRASS	GOLD	315-1000 = ± 1.6			242176			
	DESCRIPTION	MATERIAL	FINISH	1000-2000 = ± 2.4			242176			
				DO NOT SCALE DRAWING						