

Excellent Integrated System Limited

Stocking Distributor

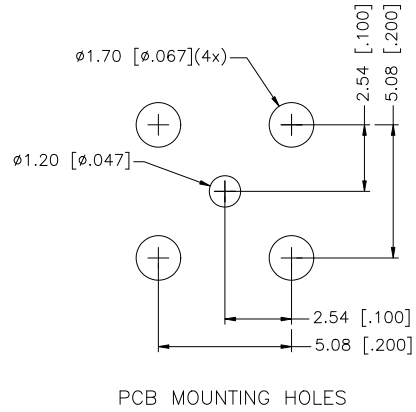
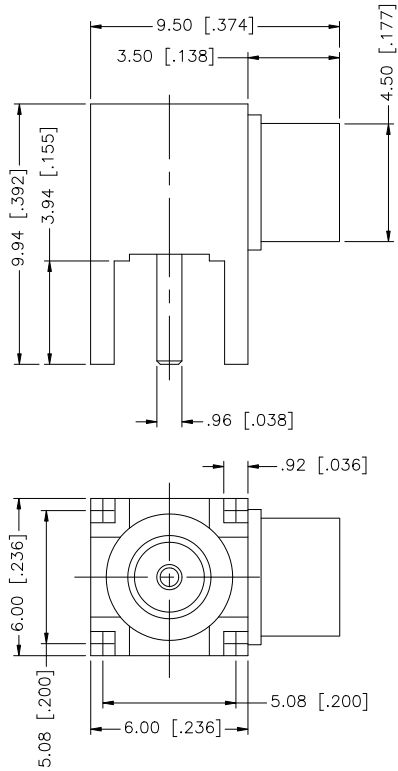
Click to view price, real time Inventory, Delivery & Lifecycle Information:

[Amphenol RF](#)
[252129](#)

For any questions, you can email us directly:

sales@integrated-circuit.com

REV.	DATE	DESCRIPTION
A	02/12/98	ADD LEG LENGTH TO TITLE
B	07/16/07	UPDATE DRAWING FORMAT



REV.	DATE	DESCRIPTION
8		
7		
6		
5		
4		
3		
2		
1		

DESCRIPTION	MATERIAL	FINISH	QTY	DO NOT SCALE DRAWING	APPROVALS	DATE	<h1 style="color: blue; margin: 0;">Amphenol Connex</h1> <p style="margin: 0;">PART DESCRIPTION MCX R/A P.C. BOARD RECEPTACLE (3.94 LEGS - GOLD)</p> <p style="margin: 0;">PART NO. 252129</p> <p style="margin: 0;">DWG. NO. 252129.DWG REV. B SIZE A SCALE NA</p>
CONTACT PIN	BER. COPPER	GOLD	1		DRAWN	G.R.S.	
INSULATOR	TEFLON	NATURAL	1		CHECKED		
BODY	BRASS	GOLD	1		ISSUED		
					SHEET	1 OF 1	

UNLESS OTHERWISE SPECIFIED DIMENSIONS ARE IN MILLIMETERS. DIMENSIONS IN () ARE IN INCHES AND FOR CUSTOMER REFERENCE ONLY.

UNLESS OTHERWISE SPECIFIED TOLERANCES FOR MILLIMETERS ARE:
 0.5 - 8mm ± 0.20mm
 8 - 30mm ± 0.40mm
 30 - 120mm ± 0.50mm

UNLESS OTHERWISE SPECIFIED TOLERANCES FOR INCHES ARE:
 .020 - .315 = ± 0.007"
 .315 - 1.180 = ± 0.015"
 1.180 - 4.724 = ± 0.020"

APPROVALS

DATE: 07/16/07

CAD FILE: C:/252/252129.DWG