

Excellent Integrated System Limited

Stocking Distributor

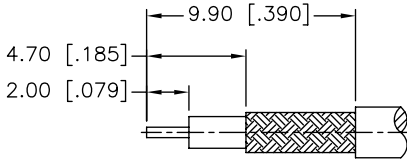
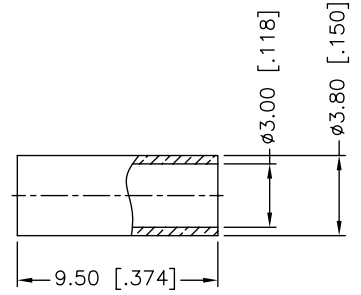
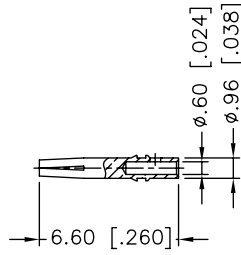
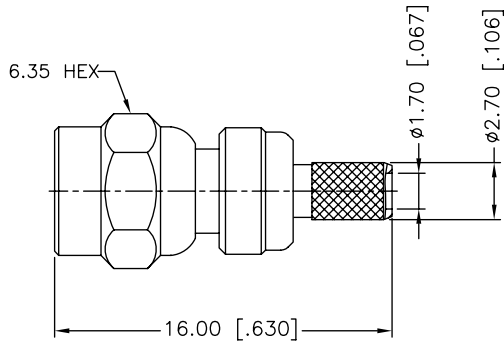
Click to view price, real time Inventory, Delivery & Lifecycle Information:

[Amphenol RF](#)
[152101](#)

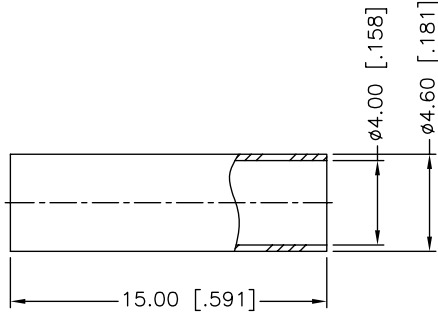
For any questions, you can email us directly:

sales@integrated-circuit.com

REV.	DATE	ECR NO.	DESCRIPTION
NC	08/19/09	XXXXXX	INITIAL RELEASE



RECOMMENDED
CABLE STRIPPING DIM'S



- NOTES:
 1. CRIMPED FERRULE
 HEX CRIMP SIZE .128"
 2. CONTACT PIN TO SOLDER

QTY	DESCRIPTION	MATERIAL	FINISH	QTY
8	HEAT SHRINK TUBING			1
7	FERRULE	COPPER	NICKEL	1
6	CONTACT PIN	BERYLLIUM COPPER	GOLD	1
5	BARREL	BRASS	NICKEL	1
4	INSULATOR	PTFE	NATURAL	1
3	INSULATOR	PTFE	NATURAL	1
2	BODY	BRASS	NICKEL	1
1	SHELL	BRASS	NICKEL	1
	DESCRIPTION	MATERIAL	FINISH	QTY

UNLESS OTHERWISE SPECIFIED DIMENSIONS ARE IN MILLIMETERS. DIMENSIONS IN [] ARE IN INCHES AND FOR CUSTOMER REFERENCE ONLY.		APPROVALS	DATE
UNLESS OTHERWISE SPECIFIED TOLERANCES FOR MILLIMETERS ARE: 0.5 - 8mm ± 0.20mm 8 - 30mm ± 0.40mm 30 - 120mm ± 0.50mm		DRAWN J.CHENG	08/19/09
UNLESS OTHERWISE SPECIFIED TOLERANCES FOR INCHES ARE: .020 - .315 = ± 0.007" .315 - 1.180 = ± 0.015" 1.180 - 4.724 = ± 0.020"		CHECKED	
DO NOT SCALE DRAWING		ISSUED	
		SHEET 1 OF 1	
		CAD FILE C:/CONNEX/152101.DWG	

Amphenol Connex			
PART DESCRIPTION			
SMC CRIMP PLUG (FOR RG-174/U, 188A/U, 316/U)			
PART NO. 152101			
DWG. NO.	REV.	SIZE	SCALE
152101.DWG	NC	A	NA