

Excellent Integrated System Limited

Stocking Distributor

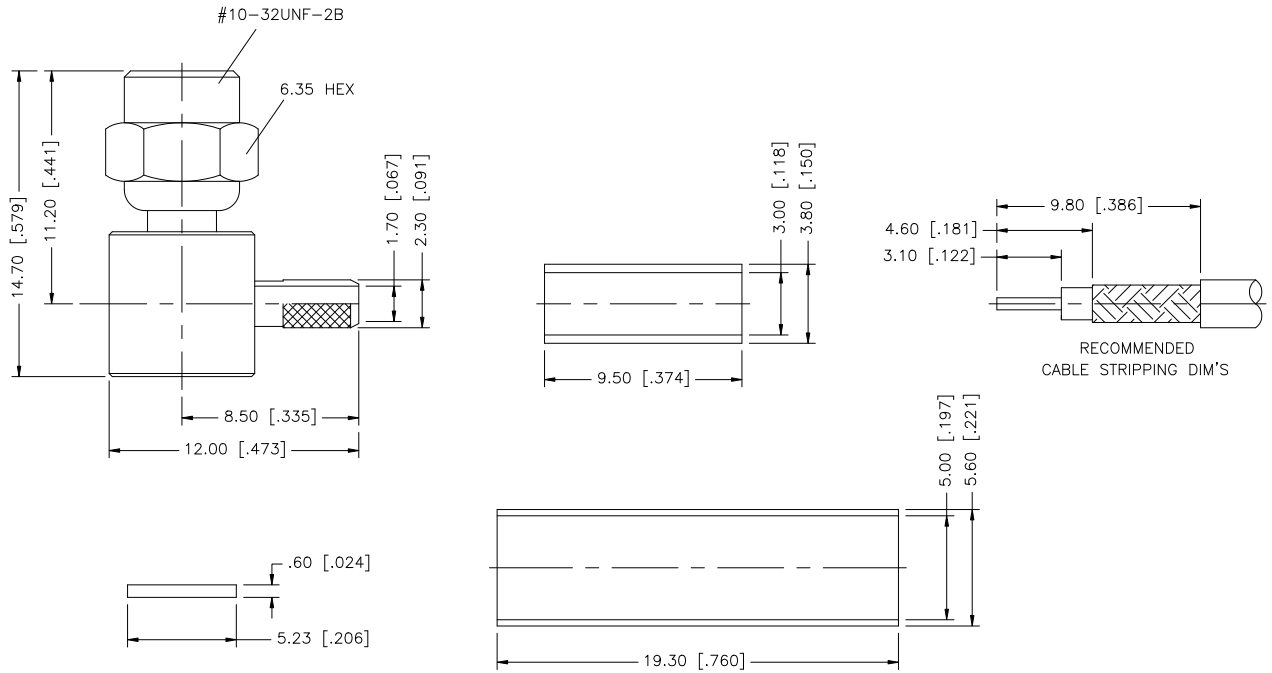
Click to view price, real time Inventory, Delivery & Lifecycle Information:

[Amphenol RF
152107](#)

For any questions, you can email us directly:

sales@integrated-circuit.com

| REV. | DATE | DESCRIPTION |
|------|----------|-----------------|
| NC | 10/04/07 | INITIAL RELEASE |



- NOTE:
1. CRIMPED FERRULE HEX CRIMP SIZE .128"
 2. CONTACT PIN TO SOLDER.

| 8 | | | | UNLESS OTHERWISE SPECIFIED DIMENSIONS ARE IN MILLIMETERS DIMENSIONS IN [] ARE IN INCHES AND FOR CUSTOMER REFERENCE ONLY. | APPROVALS | DATE | Amphenol Connex | |
|---|------------------|-------------|---------|--|----------------------|-------------------|--------------------|---|
| 7 | | | | UNLESS OTHERWISE SPECIFIED TOLERANCES FOR MILLIMETERS ARE: 0.5 - 8mm ± 0.20mm 8 - 30mm ± 0.40mm 30 - 120mm ± 0.50mm | DRAWN G.R.S. | 10/04/07 | | PART DESCRIPTION SMC R/A CRIMP PLUG (RG-174/U, 188A/U, 316/U) |
| 6 | HEAT SHRINK TUBE | | 1 | UNLESS OTHERWISE SPECIFIED TOLERANCES FOR INCHES ARE: .020 - .315 = ± 0.007" .315 - 1.180 = ± 0.015" 1.180 - 4.724 = ± 0.020" | CHECKED | | PART NO. 152107 | |
| 5 | FERRULE | COPPER | GOLD | 1 | ISSUED | | | DWG. NO. 152107.DWG |
| 4 | COVER | BRASS | GOLD | 1 | SHEET 1 OF 1 | | REV. NC | |
| 3 | CONTACT PIN | BER. COPPER | GOLD | 1 | CAD FILE | C:/152/152107.DWG | SIZE A | |
| 2 | INSULATOR | TEFLON | NATURAL | 1 | | | | SCALE NA |
| 1 | BODY | BRASS | GOLD | 1 | | | | |
| | DESCRIPTION | MATERIAL | FINISH | QTY | DO NOT SCALE DRAWING | | | |