

## **Excellent Integrated System Limited**

Stocking Distributor

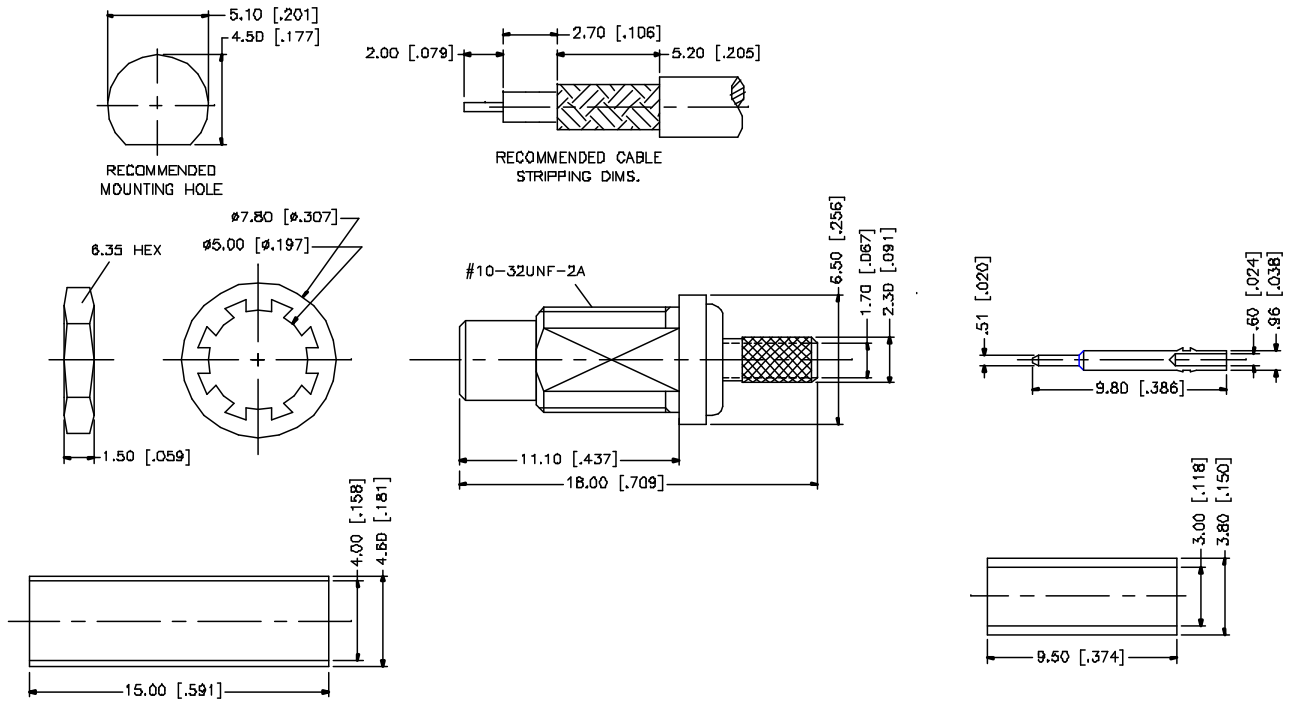
Click to view price, real time Inventory, Delivery & Lifecycle Information:

[Amphenol RF](#)  
[152105](#)

For any questions, you can email us directly:

[sales@integrated-circuit.com](mailto:sales@integrated-circuit.com)

REV.	DATE	DESCRIPTION
A	03/27/05	UPDATE DRAWING FORMAT



- NOTES:
1. CRIMPED FERRULE  
HEX CRIMP SIZE .128"
  2. MAX. PANEL THICKNESS = 2.4mm

QTY	DESCRIPTION	MATERIAL	FINISH	QTY	APPROVALS	DATE	
8	HEAT SHRINK TUBE			1	DRAWN G.R.S.	03/27/05	
8	HEX NUT	BRASS	GOLD	1	CHECKED		
5	LOCK WASHER	BRASS	GOLD	1	ISSUED		PART NO. <b>152105</b>
4	FERRULE	COPPER	GOLD	1	SHEET 1 OF 1		
3	CONTACT PIN	BRASS	GOLD	1			DWG. NO. 152105.DWG
2	INSULATOR	TEFLON	NATURAL	1			
1	BODY	BRASS	GOLD	1			REV. A
	DESCRIPTION	MATERIAL	FINISH	QTY	DO NOT SCALE DRAWING	C:/152/152105.DWG	SIZE A
							SCALE NA

UNLESS OTHERWISE SPECIFIED DIMENSIONS ARE IN MILLIMETERS. DIMENSIONS IN ( ) ARE IN INCHES AND FOR CUSTOMER REFERENCE ONLY.

UNLESS OTHERWISE SPECIFIED TOLERANCES FOR MILLIMETERS ARE:  
 0.5 - 8mm ± 0.20mm  
 8 - 30mm ± 0.40mm  
 30 - 120mm ± 0.60mm

UNLESS OTHERWISE SPECIFIED TOLERANCES FOR INCHES ARE:  
 .020 - .315 = ± 0.007"  
 .315 - 1.180 = ± 0.015"  
 1.180 - 4.724 = ± 0.020"