

## **Excellent Integrated System Limited**

Stocking Distributor

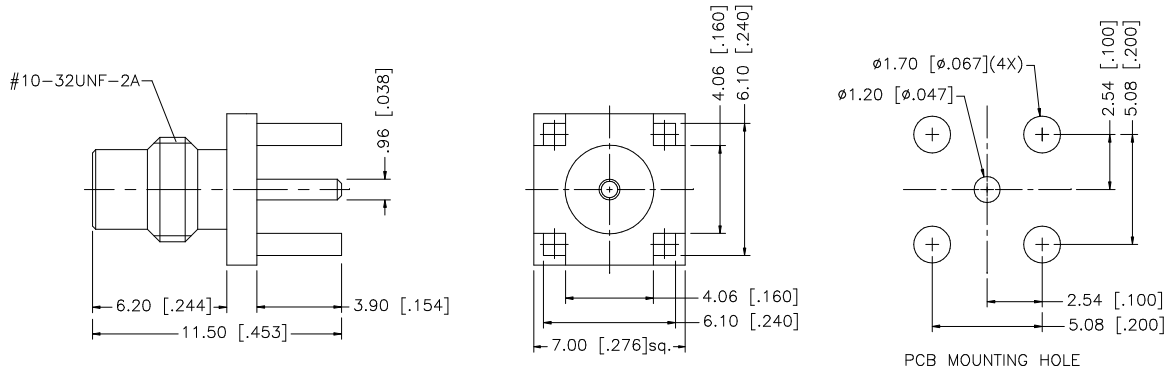
Click to view price, real time Inventory, Delivery & Lifecycle Information:

[Amphenol RF](#)  
[152119](#)

For any questions, you can email us directly:

[sales@integrated-circuit.com](mailto:sales@integrated-circuit.com)

REV.	DATE	DESCRIPTION
NC	07/15/03	INITIAL RELEASE



REV.	DATE	DESCRIPTION
NC	07/15/03	INITIAL RELEASE

8				<small>UNLESS OTHERWISE SPECIFIED DIMENSIONS ARE IN MILLIMETERS. DIMENSIONS IN [ ] ARE IN INCHES AND FOR CUSTOMER REFERENCE ONLY.</small>  <small>UNLESS OTHERWISE SPECIFIED TOLERANCES FOR MILLIMETERS ARE:</small> 0.5 - 8mm ± 0.20mm 8 - 30mm ± 0.40mm 30 - 120mm ± 0.50mm  <small>UNLESS OTHERWISE SPECIFIED TOLERANCES FOR INCHES ARE:</small> .020 - .315 = ± 0.007" .315 - 1.180 = ± 0.015" 1.180 - 4.724 = ± 0.020"	APPROVALS	DATE	<h1 style="color: blue; margin: 0;">Amphenol Connex</h1>	
7					DRAWN	G.R.S.		07/15/03
6					CHECKED			
5					ISSUED			
4					SHEET	1 OF 1		
3	CONTACT PIN	BRASS	GOLD		1			
2	INSULATOR	TEFLON	NATURAL		1			
1	BODY	BRASS	NICKEL		1			
	DESCRIPTION	MATERIAL	FINISH	QTY	DO NOT SCALE DRAWING	C:/152/152119.DWG	PART DESCRIPTION <h3 style="text-align: center; margin: 0;">SMC P.C. MOUNT JACK</h3>	
							PART NO. <h2 style="text-align: center; margin: 0;">152119</h2>	
							DWG. NO. 152119.DWG REV. NC    SIZE A    SCALE NA	